



## HEYClip™ Stainless Steel SunRunner® 2 Series Cable Clips for Micro-Inverter Cables

- Designed to hold Micro-Inverter cables .413" (10,5 mm) to .472" (12,0 mm) in diameter.
- Constructed from heat treated 410 stainless steel for excellent strength and corrosion protection for outdoor exposure.
- Smooth clip edges prevent damage to cable insulation.
- “S” hook clip design will fit a wide variety of extruded aluminum profiles.
- SunRunner 2 is designed for solar mounting frames such as the ones used by Unirac, Solar Mount and Mounting Systems.
- SunRunner 2-R is designed for racking systems such as the ones used by Haticon Solar and S:FLEX.
- SunRunner 2-U features a shorter S hook for Unirac and other similar frame profiles.
- Neatly dresses cable on PV panels or along mounting frame channels from .080" (2,0 mm) to .250" (6,4 mm) thick.
- See page 1-9 for typical rack profile applications.
- Not for use in a marine salt water environment. Contact Heyco for alternative materials.
- DFARS Compliant

PANEL THICKNESS CLAMPING RANGE				WIRE DIA. RANGE		PART NO.	DESCRIPTION	FOOTPRINT		REAR TAB LENGTH	
Minimum		Maximum		in.	mm.			in.	mm.	in.	mm.
in.	mm.	in.	mm.			in.	mm.				
<b>SunRunner® 2</b>											
.08	2,0	.25	6,4	.30 - .47	7,6-12,0	S6404	SunRunner® 2 100 Pack	.50 x 1.30	12,7 x 33,0	.84	21,3
						S6444	SunRunner® 2 Bulk				
<b>SunRunner® 2-R</b>											
.38	9,7	.38	9,7	.30 - .47	7,6-12,0	S6402	SunRunner® 2-R 100 Pack	.50 x 1.30	12,7 x 33,0	.41	10,4
						S6442	SunRunner® 2-R Bulk				
<b>SunRunner® 2-U</b>											
.25	6,4	.25	6,4	.30 - .47	7,6-12,0	S6401	SunRunner® 2-U 100 Pack	.50 x 1.30	12,7 x 33,0	.38	9,7
						S6441	SunRunner® 2-U Bulk				



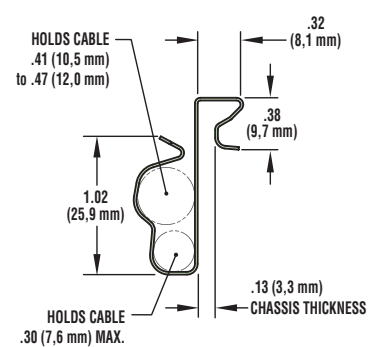
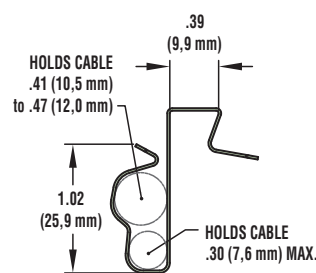
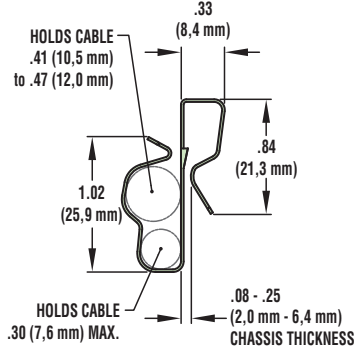
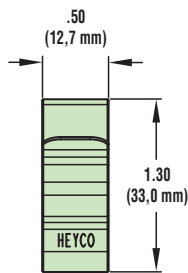
SunRunner 2



SunRunner 2-R



SunRunner 2-U



Quick Specs

Material .020" thick heat treated 410 stainless steel