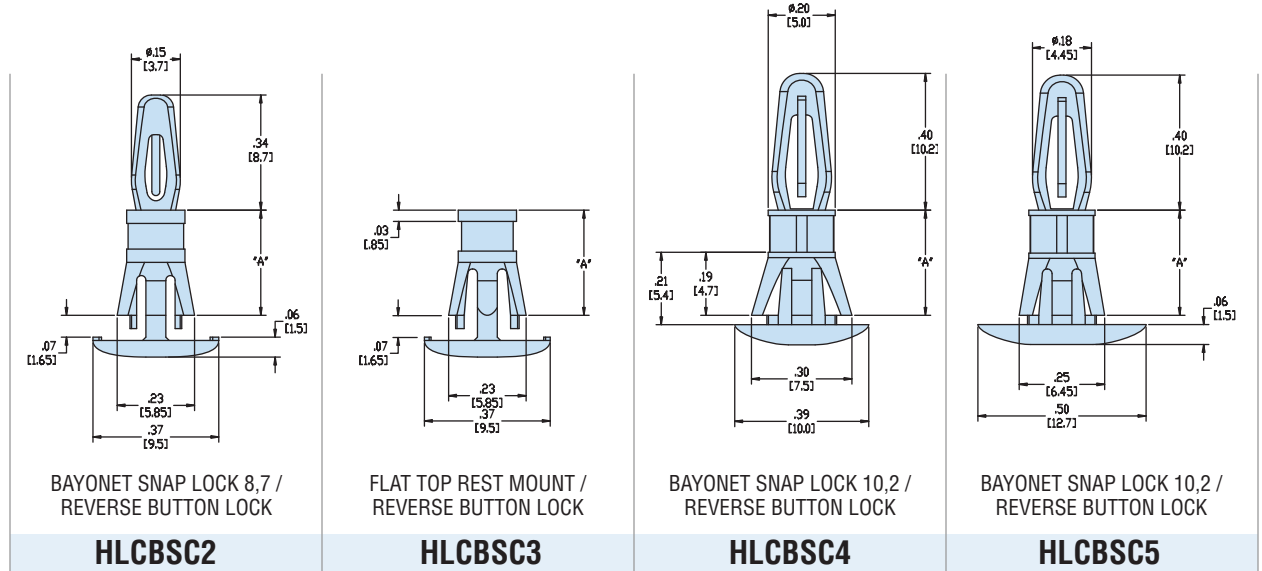




Heyco® Nylon PCB Supports - Reverse Locking



	Maximum Thickness		Mounting Hole Diameter		Maximum Thickness		Mounting Hole Diameter		Maximum Thickness		Mounting Hole Diameter		Maximum Thickness		Mounting Hole Diameter	
	in.	mm.	in.	mm.	in.	mm.	in.	mm.	in.	mm.	in.	mm.	in.	mm.	in.	mm.
PCB	.062	1,6	.125	3,2	flat top rest mount				.062	1,6	.157	4,0	.062	1,6	.157	4,0
Chassis	.062	1,6	.187	4,8	.062	1,6	.187	4,8	.047	1,2	.236	6,0	.078	2,0	.212	5,4

A		PART NO. Natural	DESCRIPTION	PART NO. Natural	DESCRIPTION	PART NO. Natural	DESCRIPTION	PART NO. Natural	DESCRIPTION
in.	mm.								
.187	4,8					10375	HLCBSC4-03		
.250	6,4	10359	HLCBSC2-04	10367	HLCBSC3-04	10376	HLCBSC4-04	10382	HLCBSC5-04
.312	7,9	10360	HLCBSC2-05	10368	HLCBSC3-05	10377	HLCBSC4-05		
.375	9,5	10361	HLCBSC2-06	10369	HLCBSC3-06	10378	HLCBSC4-06	10383	HLCBSC5-06
.437	11,1	10362	HLCBSC2-07	10370	HLCBSC3-07				
.500	12,7	10363	HLCBSC2-08	10371	HLCBSC3-08	10379	HLCBSC4-08	10384	HLCBSC5-08
.562	14,3	10364	HLCBSC2-09	10372	HLCBSC3-09				
.625	15,9	10365	HLCBSC2-10	10373	HLCBSC3-10	10381	HLCBSC4-10	10385	HLCBSC5-10
.750	19,1					10380	HLCBSC4-12		

Standard color natural. For special order parts in UL 94V-0 natural material, add the suffix "F" to Part No.

Quick
Specs

Material: Nylon 6/6
 Flammability Rating: 94V-2
 Temperature Range: -40°F (-40°C) to 185°F (85°C)