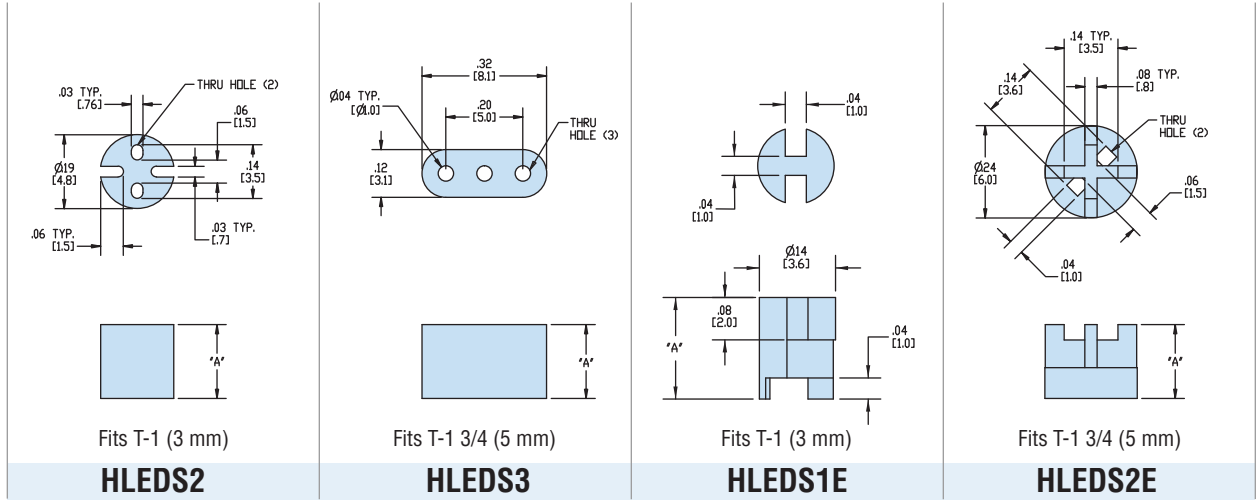




Heyco® PVC and Nylon LED Spacers



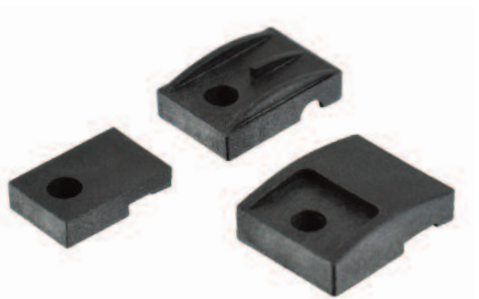
A		PART NO.	DESCRIPTION	PART NO.	DESCRIPTION	PART NO.	DESCRIPTION	PART NO.	DESCRIPTION
in.	mm.	Black PVC*		Black PVC		Natural		Natural	
.187	4,8			11025	HLEDS3-03	11032	HLEDS1E-03	11041	HLEDS2E-03
.250	6,4	11019	HLEDS2-04	11026	HLEDS3-04	11033	HLEDS1E-04	11042	HLEDS2E-04
.375	9,5	11020	HLEDS2-06	11027	HLEDS3-06	11034	HLEDS1E-06	11043	HLEDS2E-06
.500	12,7	11021	HLEDS2-08	11028	HLEDS3-08	11035	HLEDS1E-08	11044	HLEDS2E-08
.625	15,9	11022	HLEDS2-10	11029	HLEDS3-10	11036	HLEDS1E-10	11045	HLEDS2E-10
.750	19,1	11023	HLEDS2-12	11030	HLEDS3-12	11037	HLEDS1E-12	11046	HLEDS2E-12
.875	22,2					11038	HLEDS1E-14	11047	HLEDS2E-14
1.000	25,4					11039	HLEDS1E-16	11048	HLEDS2E-16

Standard as color noted.

*V-0 material available, consult Heyco.

For Heyco PCB Surface Mount Miniature Connectors for LED PCB's, contact Heyco.

Heyco® Transistor Insulators



PART NO.	DESCRIPTION	PART NO.	DESCRIPTION	PART NO.	DESCRIPTION
Black		Black		Black	
12015	IEC-220-18 GF	12016	IEC-220V-18 GF	12017	IEC-218-18 GF

Material	HLEDS2 PVC	HLEDS3 PVC	HLEDS1E & HLEDS2E Nylon 6/6	Transistor Insulators Nylon Glass-filled 6/6
Flammability Rating	94HB	94HB	94V-2	94HB
Temperature Range	32°F (0°C) to 185°F (85°C) (All)	see HLEDS2	see HLEDS2	-22°F (-30°C) to 284°F (140°C)