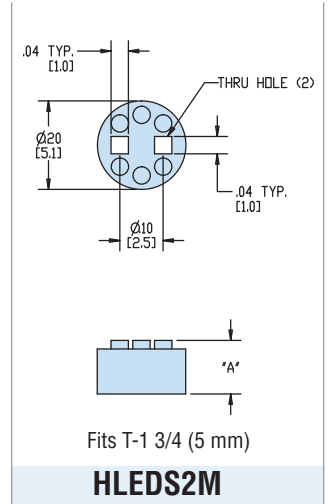
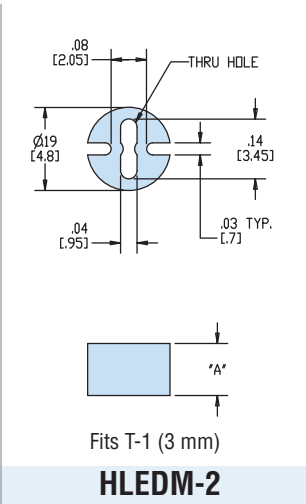
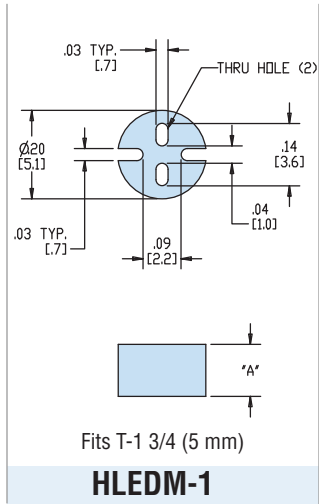




Heyco® Nylon LED Spacers



| A | | PART NO. Black PVC | DESCRIPTION | PART NO. Black V-0 | DESCRIPTION |
|------|-----|-----------------------|-------------|-----------------------|-------------|
| in. | mm. | | | | |
| 2,0 | | 11000 | HLEDM-1-03M | 11002F | HLEDM-2-02M |
| 3,0 | | | | 11003F | HLEDM-2-03M |
| 5,0 | | | | 11004F | HLEDM-2-05M |
| 6,0 | | | | 11005F | HLEDM-2-06M |
| 7,0 | | | | 11006F | HLEDM-2-07M |
| 10,0 | | | | 11010F | HLEDM-2-10M |
| 12,0 | | | | 11007F | HLEDM-2-12M |
| 13,0 | | | | 11008F | HLEDM-2-13M |

| A | | PART NO. Natural | DESCRIPTION |
|------|-----|---------------------|-------------|
| in. | mm. | | |
| .122 | 3,1 | 11011 | HLEDS2M-120 |
| .141 | 3,6 | 11012 | HLEDS2M-140 |
| .161 | 4,1 | 11013 | HLEDS2M-160 |
| .177 | 4,5 | 11014 | HLEDS2M-180 |
| .200 | 5,1 | 11015 | HLEDS2M-200 |
| .220 | 5,6 | 11016 | HLEDS2M-220 |
| .240 | 6,1 | 11017 | HLEDS2M-240 |

Standard color as noted.

For Heyco PCB Surface Mount Miniature Connectors for LED PCB's, contact Heyco.

*Quick
Specs*

| | HLEDM-1 | HLEDM-2 | HLEDS2M |
|---------------------|----------------------------------|---------|-----------|
| Material | PVC | PVC | Nylon 6/6 |
| Flammability Rating | 94HB | 94V-0 | 94V-2 |
| Temperature Range | 32°F (0°C) to 185°F (85°C) (All) | | |