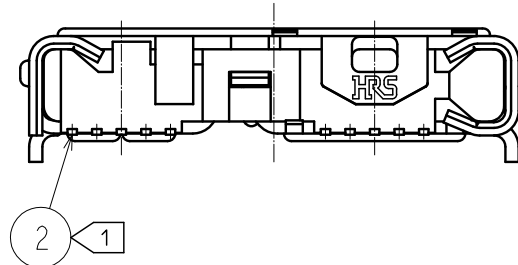
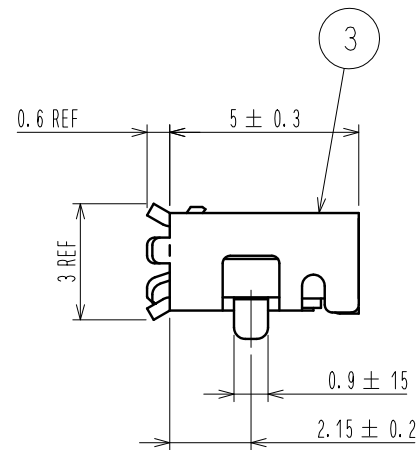
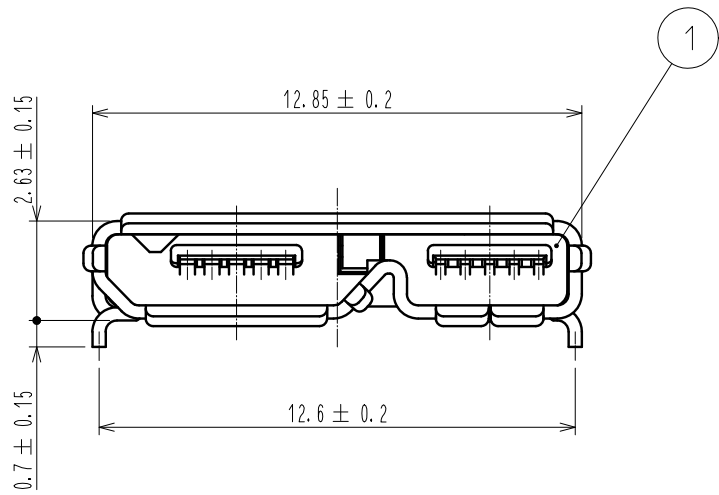
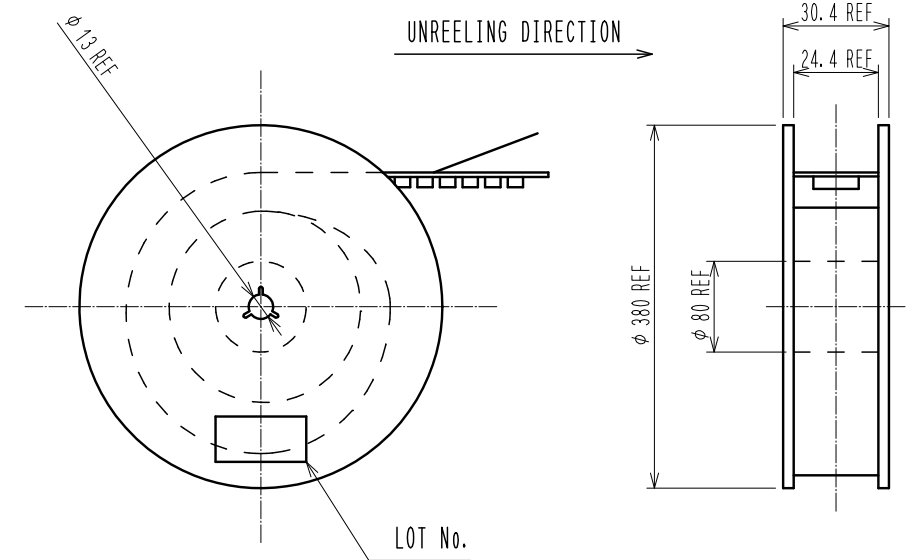
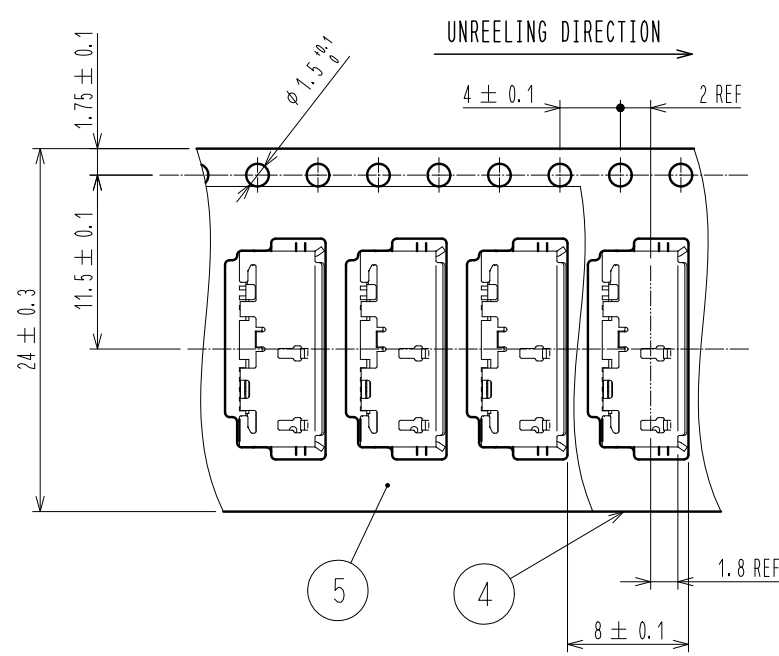
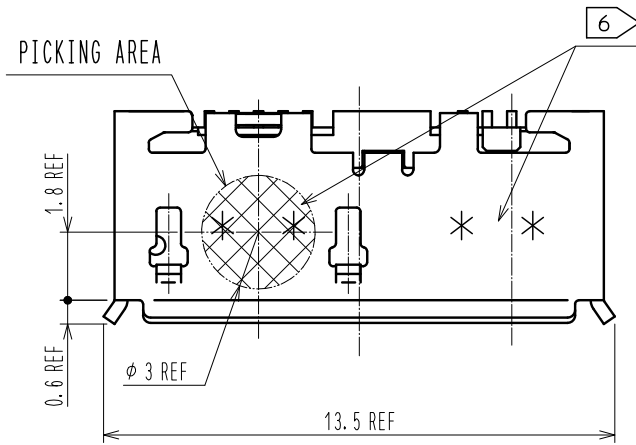


3 DRAWING FOR PACKAGING (FREE)



6 LOT NUMBER (4 DIGITS)

YEAR	MONTH	DAY						LINE No.		
YEAR CODE	MONTH CODE	DAY CODE	DAY CODE	DAY CODE	DAY CODE	DAY CODE	LINE No. CODE			
2009	9	Jan. A	1	1	11	B	21	M	1	A
2010	0	Feb. B	2	2	12	C	22	N	2	B
2011	1	Mar. C	3	3	13	D	23	P	3	C
2012	2	Apr. D	4	4	14	E	24	Q	4	D
2013	3	May. E	5	5	15	F	25	R	5	E
		Jun. F	6	6	16	G	26	S	6	F
		Jul. G	7	7	17	H	27	T	7	G
		Aug. H	8	8	18	J	28	U	8	H
		Sep. I	9	9	19	K	29	V	9	I
		Oct. J	10	A	20	L	30	W	10	J
		Nov. K					31	X	11	K
		Dec. L								

注 1 CO-PLANARITY IS WITHIN 0.08 mm.

2 THE PLATING SPECIFICATION

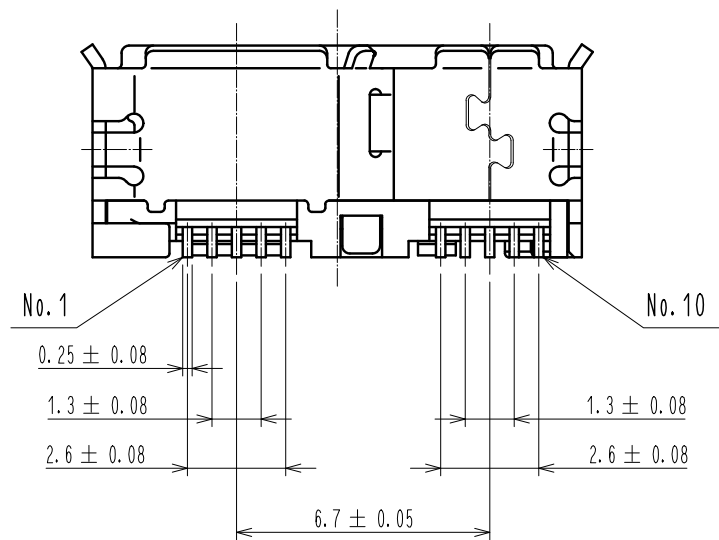
CONTACT AREA : PALLADIUM PLATING 0.75 μm MIN. + GOLD PLATING 0.05 μm MIN.  
 MOUNTING AREA : GOLD PLATING 0.05 μm MIN.  
 UNDERPLATING : NICKEL PLATING 2 μm MIN.

3 3000 PCS PER REEL.

4 . CONNECTOR OPENING CONFIGURATION SATISFIES USB3.0 SPECIFICATIONS.

5 . SCRATCH MARK COULD BE MADE ON THE SURFACE OF REF NO. 3 DURING ASSEMBLY PROCESS, WHICH DOES NOT AFFECT THE PERFORMANCE. LEVEL OF PLATING BRIGHTNESS COULD VARY, WHICH DOSE NOT AFFECT THE PERFORMANCE.

6 INDICATE THE LOT NO. WITH 4 DIGITS AT THE SPECIFIED POSITION.

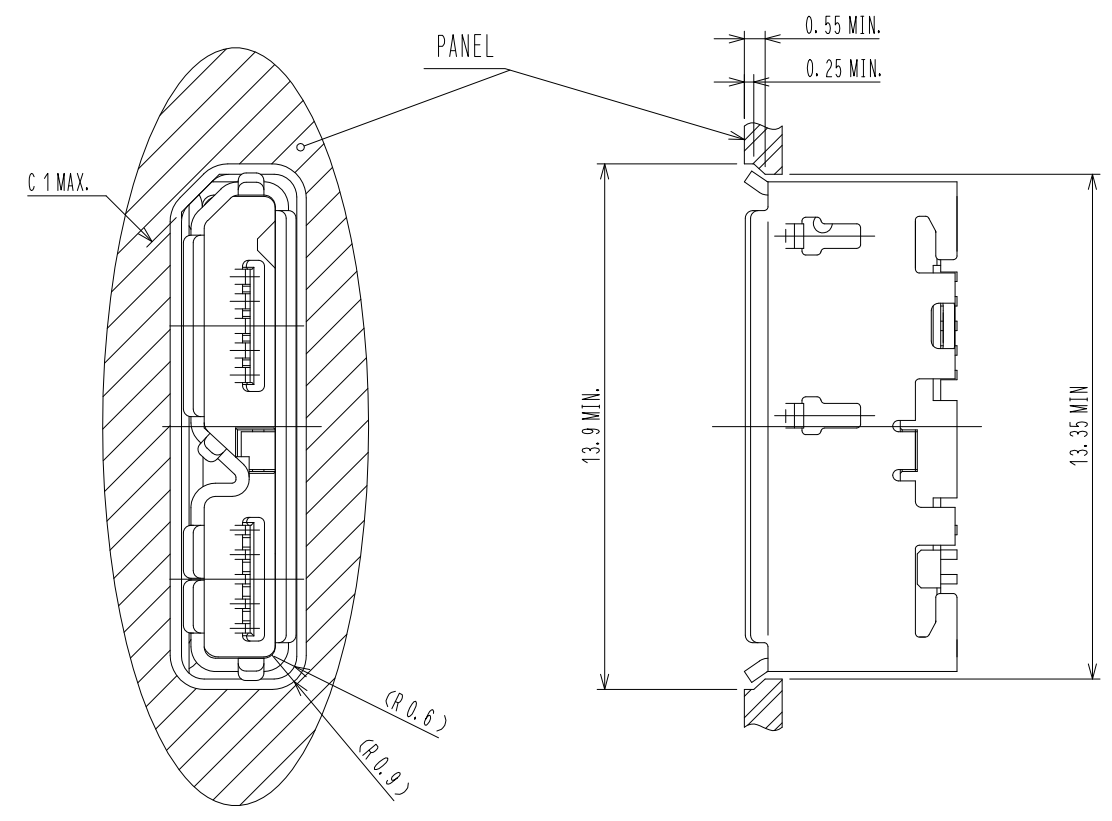


2	COPPER ALLOY	2	5	PE				
1	LCP	UL94V-0, BLACK	4	PS				
			3	STAINLESS STEEL	TIN PLATING 1 μm min. LUBRICANT			
NO.	MATERIAL	FINISH . REMARKS	NO.	MATERIAL	FINISH . REMARKS			
UNITS	mm	SCALE	5 : 1	COUNT	DESCRIPTION OF REVISIONS	DESIGNED	CHECKED	DATE
HRS HIROSE ELECTRIC CO., LTD.		APPROVED : A0. SUZUKI	10.08.07	DRAWING NO. EDC3-127028-00				
		CHECKED : KN. ICHIKAWA	10.08.07	PART NO. ZX360D-B-10P				
		DESIGNED : AH. KODAMA	10.08.06	CODE NO. CL242-0500-1-00				
		DRAWN : TS. SAKAIZAWA	09.06.15					

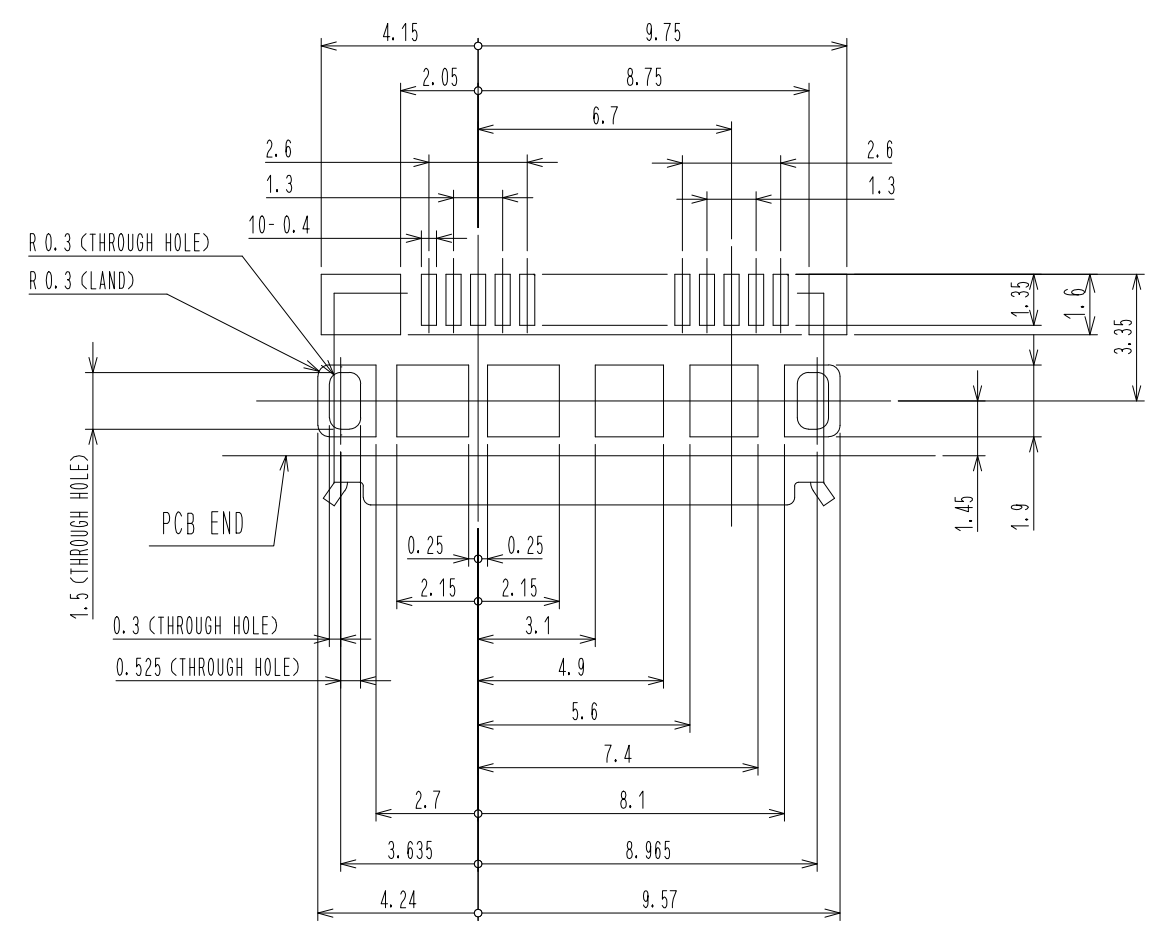
1 2 3 4 5 6 7 8

A  
B  
C  
D  
E  
F

### RECOMMENDED PANEL CUTOUT

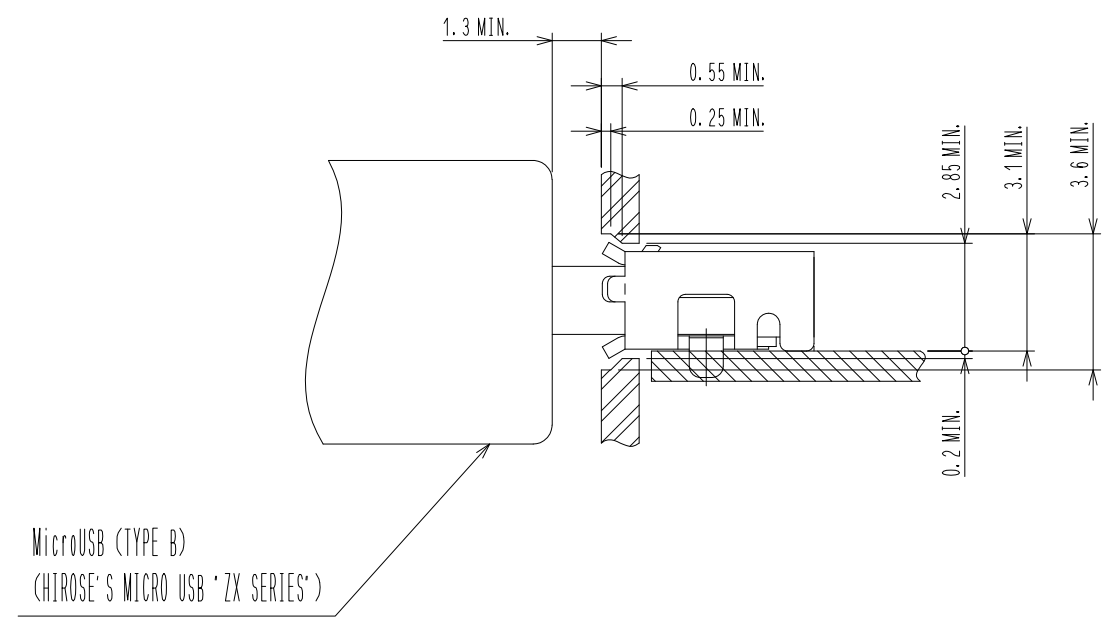


### PCB LAYOUT FOR REFERENCE.



KEEP THE TOLERANCE WITHIN  $\pm 0.05\text{mm}$

### MATED WITH CORRESPONDING PLUG



<b>HRS</b>	DRAWING NO.	EDC3-127028-00	$\triangle$ 2/2
	PART NO.	ZX360D-B-10P	
	CODE NO.	CL242-0500-1-00	