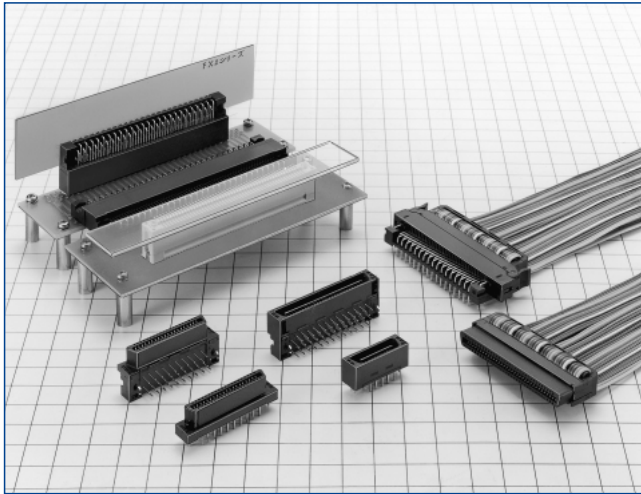
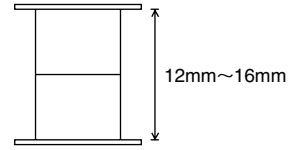


1.27mm Pitch Multi-function Two Piece Connectors

FX2 Series



Stacking connection (Stack height : 12~16mm)



Horizontal Connection

Vertical Connection

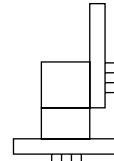
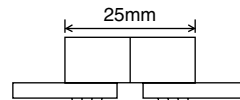
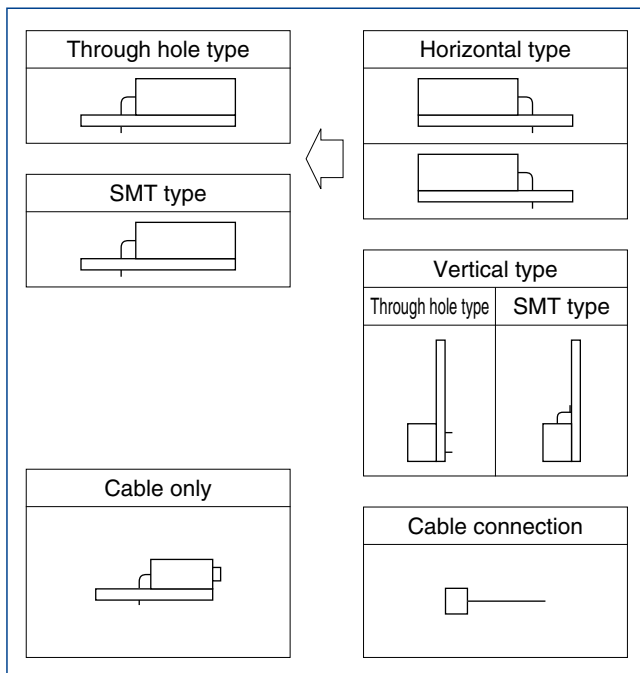
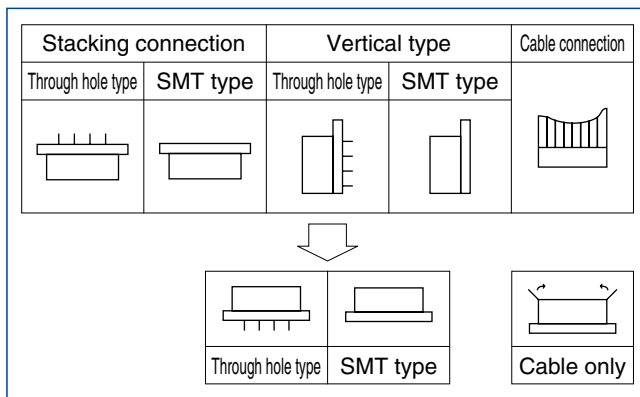


Fig.1

Features

1. Various connection with various product line



2. Easy One-Touch Operation

The ribbon cable connection type allows easy one-touch operation with either single hand.

Insertion and Extraction

(1) Pick internal locks with thumb and the index finger.



Fig.2

(2) With unique and preferable click feeling, the cable and connector can be inserted or withdrawn.

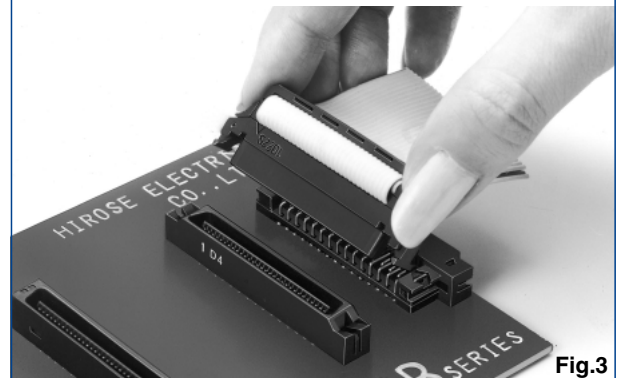


Fig.3

(For insertion, the operation proceeds from procedure (2) to (1).)

3. Board to board type

① Prevents flux penetration

The straight through hole type takes the complete flux tight action from the board back side at solder dipping. The type is prepared, corresponding to whether or not cleaning is required.

② Stack height 12mm to 16mm

The board stack height can be set to every 1 mm step up to 12 to 16mm.

③ Mis-insertion preventive mechanism

The mating area is designed in a mechanism so as to prevent mis-insertion, and complete countermeasures have been taken against wrenching.

4. Board to cable type

① Positive lock with easy operation

Employing the inner lock system, positive lock and eject actions can be performed with easy operation.

② Applicable cable

The applicable cable is the <UL2651>28 AWG flat cable (7/0.127mm), and the jacket size is 0.9±0.1mm.

5. SMT type

Robust design with metal hold-down

The right angle type is equipped with metal hold-down to secure soldering strength, and constructed so as to fix by screws. The straight type can choose whether or not metal hold-down are required.

Product Specifications

| | | | |
|--------|------------------------|---|--|
| Rating | Current rating 0.5A | Operating Temperature Range -55°C to +85°C (Note 1) | Storage Temperature Range -10°C to +60°C(Note 2) |
| | Voltage rating 125V AC | Operating Humidity Range 40 to 80% | Storage Humidity Range 40 to 70%(Note 2) |

| Item | Specification | Condition | |
|----------------------------------|--|---|---|
| 1. Insulation Resistance | 1000MΩ min | 250V DC | |
| 2. Withstanding Voltage | No flashover or insulation breakdown. | 300V AC/1 min | |
| 3. Contact Resistance | 45mΩ max. | 100mA | |
| 4. Vibration | No electrical discontinuity of 1μs or more | Frequency: 10 to 55 Hz, single amplitude of 0.75 mm, 2 hours in each of the 3 directions. | |
| 5. Humidity (Steady state) | Contact resistance: 55mΩ max. Insulation resistance: 100MΩ min. | 96 hours at temperature of 40°C and humidity of 90% to 95% | |
| 6. Temperature Cycle | Contact resistance: 55mΩ max. Insulation resistance: 100MΩ min. No damage, cracks, or parts looseness. | (-55°C: 30 minutes→15 to 35°C: 2 to 3 minutes→85°C: 30 minutes→15 to 35°C: 2 to 3 minutes) 5 cycles | |
| 7. Durability (Mating/un-mating) | Contact resistance: 55mΩ max. | 500 cycles | |
| 8. Resistance to soldering heat | No deformation of components affecting performance. | SMT Type | Reflow: At the recommended temperature profile Manual soldering: 360°C for 5 seconds |
| | | DIP Type | Solder bath: 260°C for 10 seconds Manual soldering: 360°C for 5 seconds |

Note 1 : Includes temperature rise caused by current flow.

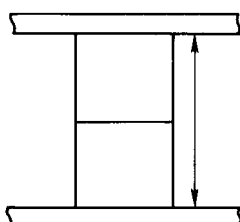
Note 2 : The term "storage" refers to products stored for long period of time prior to mounting and use. Operating Temperature Range and Humidity range covers non conducting condition of installed connectors in storage, shipment or during transportation.

Material

| Parts | | Material | Finish | Remark |
|-----------|-------------------|--------------------------|-----------------------|---------|
| Insulator | Through hole type | Polyamid | Black | UL94V-0 |
| | Socket | PBT/Polyamid | | |
| | SMT type | PPS | Light brown | |
| Contact | Receptacle | Phosphor bronze | Selective gold plated | _____ |
| | Socket | | | |
| | Header | Phosphor bronze or brass | | |

Stacking Variation

Unit : mm



| Header | Receptacle | Through hole type | | SMT type |
|-------------------|----------------------|--------------------|---------------------|------------------|
| | | FX2C-*S-1.27DSA(L) | FX2C2-*S-1.27DSA(L) | FX2-*S-1.27SV(L) |
| Through hole type | FX2C-*P-1.27DSA(L) | 12 | 14.0 | 12.2 |
| | FX2CA-*P-1.27DSA(L) | | | |
| | FX2CA1-*P-1.27DSA(L) | 13 | 15.0 | 13.2 |
| | FX2CA2-*P-1.27DSA(L) | 14 | 16.0 | 14.2 |
| SMT type | FX2-*P-1.27SV(L) | 12.1 | 14.1 | 12.3 |

■ Product Number Structure

● Board to Board Receptacle

FX2 CA 2 - * S - 1.27 DSA L

① ② ③ ④ ⑤ ⑥ ⑦ ⑧

| | |
|---|--|
| ① Series Name : FX2 | ④ No. of contacts : 20, 32, 40, 52, 60, 68, 80, 100, 120 |
| ② Blank : Right angle type C : Straight non-cleaning type CA : Straight cleaning type | ⑤ Connector type : S : Receptacle |
| | ⑥ Contact pitch : 1.27mm |
| ③ Product height variation (DSA only) Blank : Standard product 2 : +2mm | ⑦ Contact type : DS : Right angle type DSA : Straight type |
| | ⑧ L : Board prefixed pin |

● Board to Board Header

FX2 CA 1 - * P - 1.27 DSA L

① ② ③ ④ ⑤ ⑥ ⑦ ⑧

| | |
|---|--|
| ① Series Name : FX2 | ④ No. of contacts : 20, 32, 40, 52, 60, 68, 80, 100, 120 |
| ② Blank : Right angle type C : Straight non-cleaning type CA : Straight cleaning type | ⑤ Connector type : P : header |
| | ⑥ Contact pitch : 1.27mm |
| ③ Product height variation (DSA only) Blank : Standard product 1 : +1mm 2 : +2mm | ⑦ Contact type : DS : Right angle type DSA : Straight type |
| | ⑧ L : Board prefixed pin |

Note 1 : C and CA take complete countermeasures against flux.
 Note 2 : Cleaning type: the liquid escape hole is added at dip cleaning.
 Note 3 : No-cleaning type: no liquid escape hole is added at dip cleaning.

● Board to Cable Socket

FX2 BA - * S A - 1.27 R

① ② ③ ④ ⑤ ⑥ ⑦

| | |
|---|---|
| ① Series Name : FX2 | ④ S : Socket |
| ② B : Lock cable type BA : No lock cable type | ⑤ A : Contact material: phosphor bronze |
| | ⑥ Contact pitch : 1.27mm |
| ③ No. of contacts : 20, 32, 40, 52, 60, 68, 80, 100 | ⑦ R : Insulation displacement |

● Board to Cable Header

FX2 BA - * P A - 1.27 DSA L

① ② ③ ④ ⑤ ⑥ ⑦ ⑧

| | |
|---|---|
| ① Series Name : FX2 | ⑤ None : Contact material: phosphor bronze A : Contact material: brass |
| ② B : Lock straight no cleaning type : Lock right angle type BA : Lock straight cleaning type | ⑥ Contact pitch : 1.27mm |
| | ⑦ Contact type : DS : Right angle type DSA : Straight type |
| ③ No. of contacts : 20, 32, 40, 52, 60, 68, 80, 100 | ⑧ L : Board prefixed pin |
| ④ Connector type : P: header | |

Note 1 : Cleaning type: The liquid escape hole is added at dip cleaning.
 Note 2 : No cleaning type: No liquid escape hole is added at dip cleaning.
 Note 3 : Straight 20 and 32 contact types use phosphor bronze for contact material.

● Straight SMT Type

FX2 - * **P** - **1.27** **SV** **L**
 ① ② ③ ④ ⑤ ⑥

| | |
|--|--|
| ① Series Name : FX2 | ④ Contact pitch : 1.27mm |
| ② No. of contacts : 20, 32, 40, 52, 60, 68, 80, 100, 120 | ⑤ Contact type : SV : Straight SMT type |
| ③ Connector type : P : Header S : Receptacle | ⑥ L : Board prefixed pin |

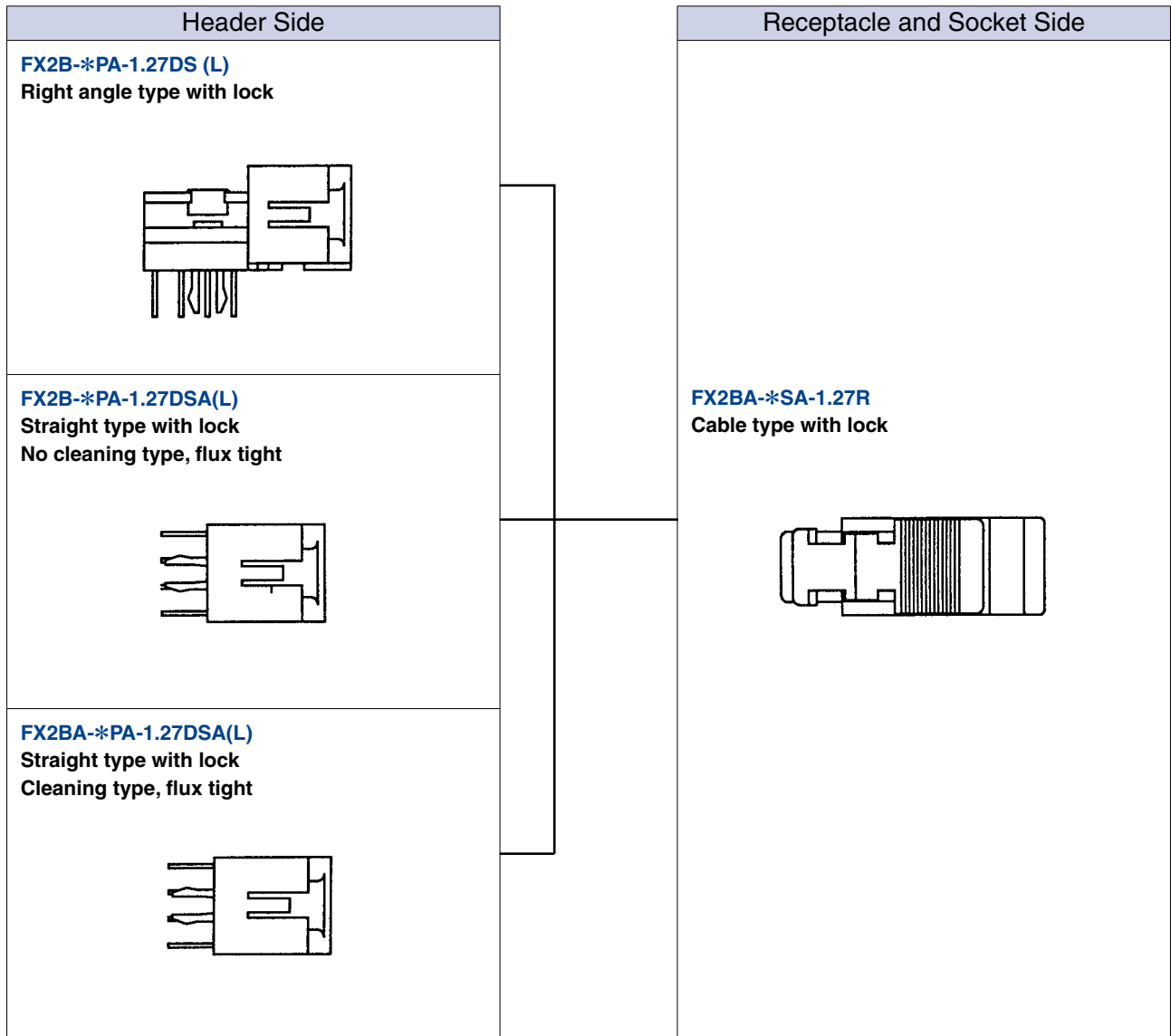
● Header Right Angle SMT Type

FX2 **A** - * **P** - **0.635** **SH**
 ① ② ③ ④ ⑤ ⑥

| | |
|---|---|
| ① Series Name : FX2 | ④ Connector type : P : Header |
| ② Blank : With boss A : Without boss | ⑤ Mounting area pitch : 0.635mm |
| ③ No. of contacts : 20, 40, 52, 60, 80 | ⑥ Contact type : SH : Right angle SMT type |

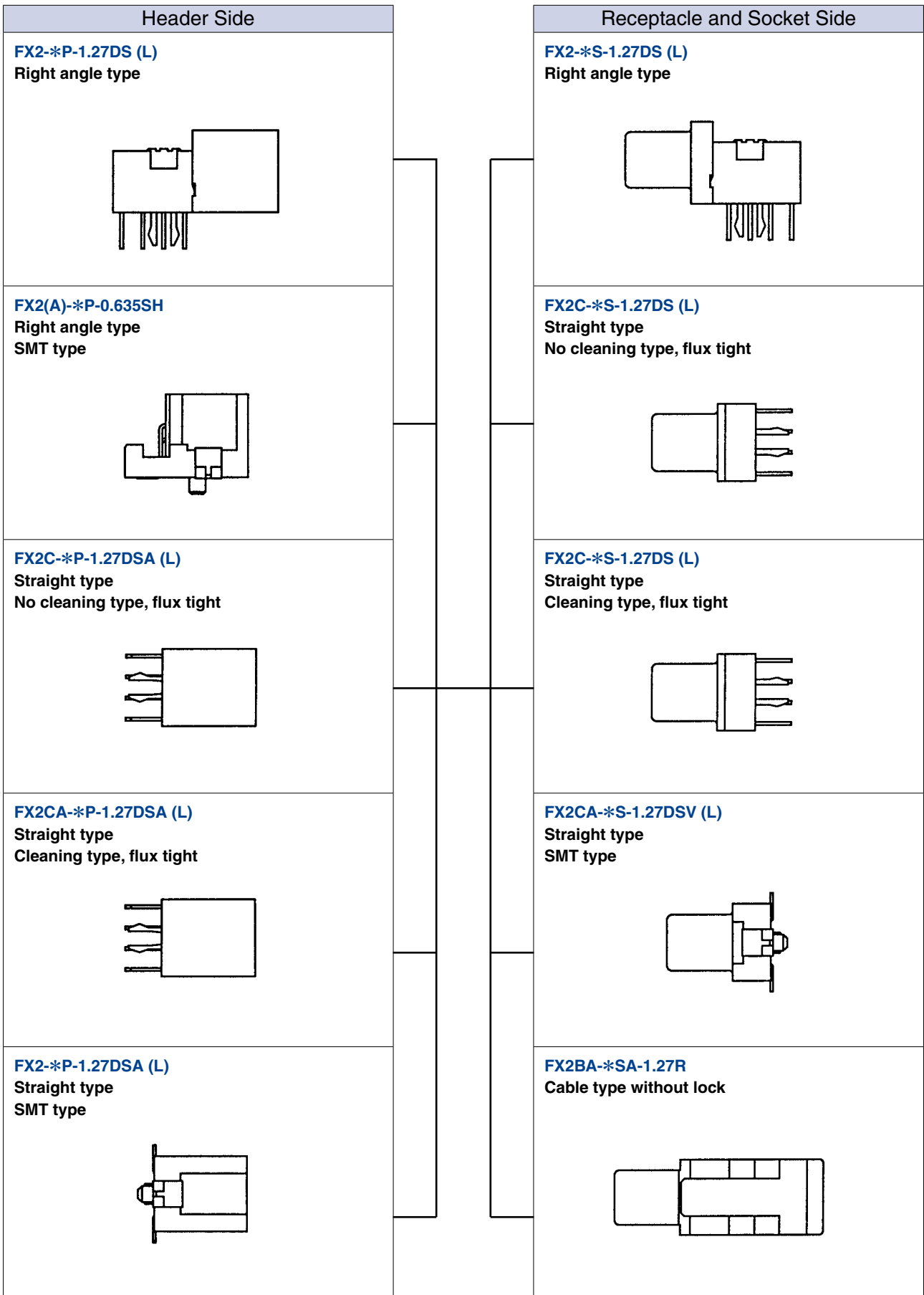
◆ FX2 Functional Flow Chart

Board to Board Cable Type

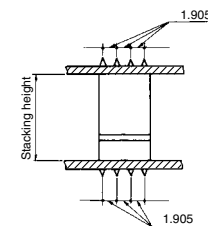


◆ FX2 Functional Flow Chart

Board to Board Cable Type



◆ Through hole Type Application Pattern



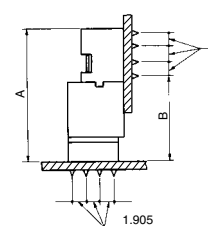
Header

Stacking height

| Header \ Receptacle | FX2CA-*S | FX2CA2-*S |
|---------------------|----------|-----------|
| FX2CA-*P | 12 | 14 |
| FX2CA1-*P | 13 | 15 |
| FX2CA2-*P | 14 | 16 |

Receptacle

FX2-*P-1.27DS(L)

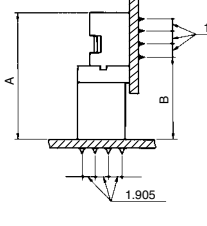


FX2-*P-1.27DS(L)

| Receptacle | A | B |
|-------------|------|----|
| FX2C(A) -*S | 18.5 | 12 |
| FX2C(A)2-*S | 20.5 | 14 |

Receptacle

FX2-*S-1.27DS(L)



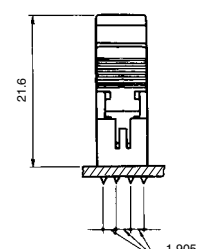
Header

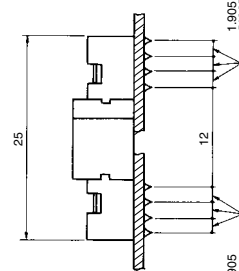
FX2B(A)-*SA-1.27R

| Header | A | B |
|-------------|------|----|
| FX2C(A) -*P | 18.5 | 12 |
| FX2C(A)1-*P | 19.5 | 13 |
| FX2C(A)2-*P | 20.5 | 14 |

Header

FX2B(A)-*P(A)-1.27DSA(L)



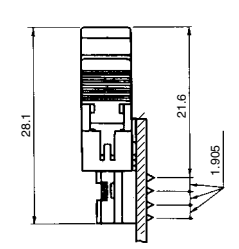


Header

FX2B(A)-*SA-1.27R

FX2-*P-1.27DS(L)

FX2B(A)-*SA-1.27R

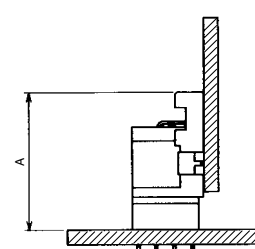


Header

FX2B(A)-*P(A)-1.27DSA(L)

◆ SMT Type Application Pattern

FX2(A)-*P-0.635SH

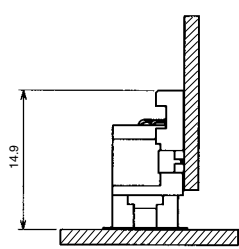


| Receptacle | A |
|------------|------|
| FX2C(A) | 14.7 |
| FX2C(A)2 | 16.7 |

Header

FX2C(A)2-*S-1.27DSA(L)

FX2(A)-*P-0.635SH

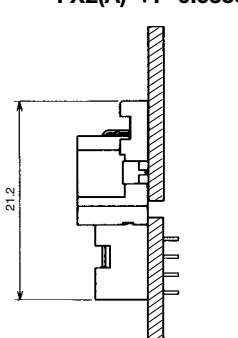


Header

FX2(A)-*P-0.635SH

FX2-*S-1.27SV(L)

FX2(A)-*P-0.635SH

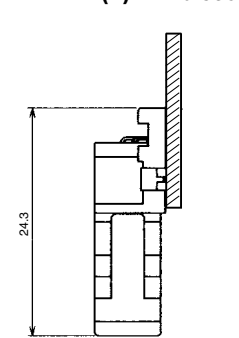


Header

FX2(A)-*P-0.635SH

FX2-*S-1.27DS(L)

FX2(A)-*P-0.635SH



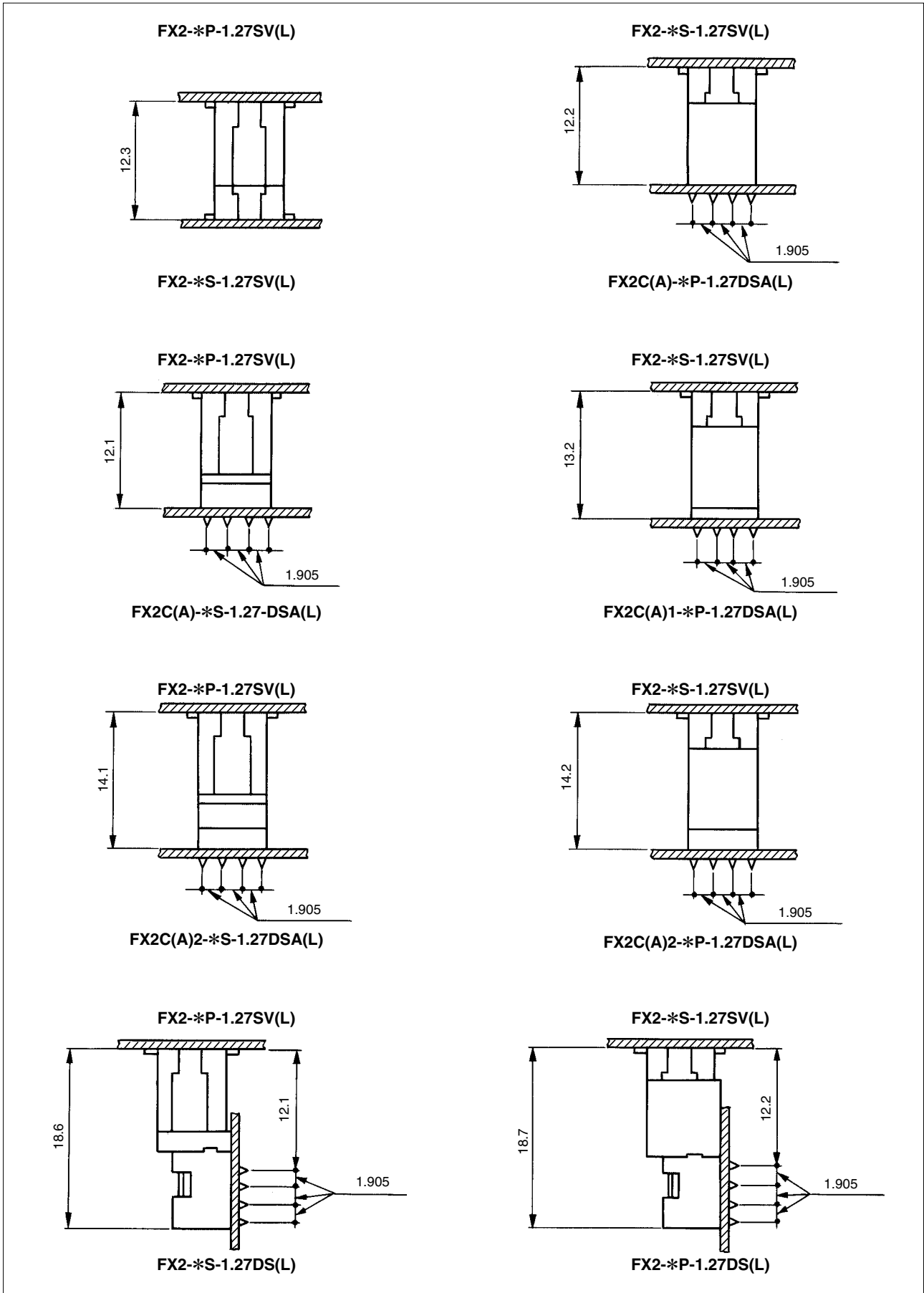
Header

FX2(A)-*P-0.635SH

FX2BA-*SA-1.27R

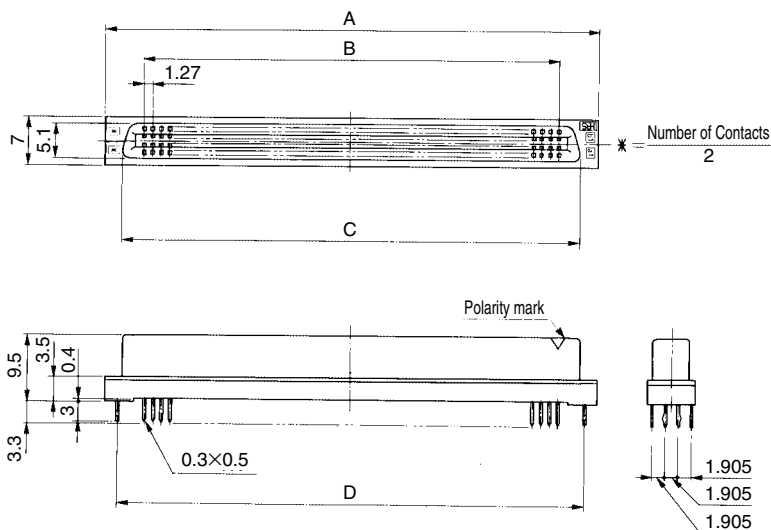
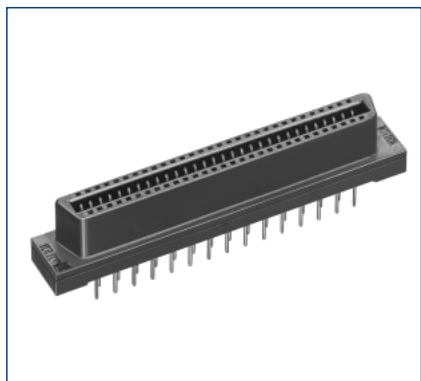
◆ SMT Type Application Pattern

May.1.2016 Copyright 2016 HIROSE ELECTRIC CO., LTD. All Rights Reserved.

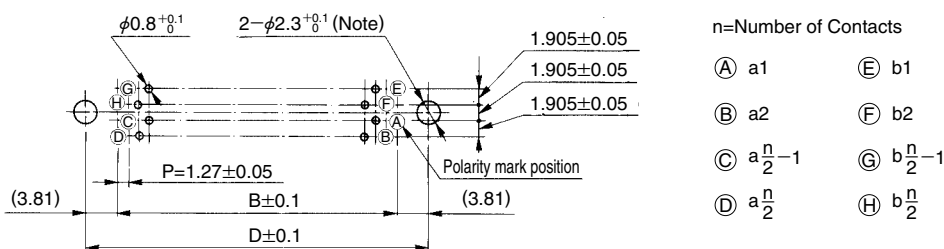


■ Receptacle No Cleaning Type

● Straight Type



◆ PCB mounting pattern



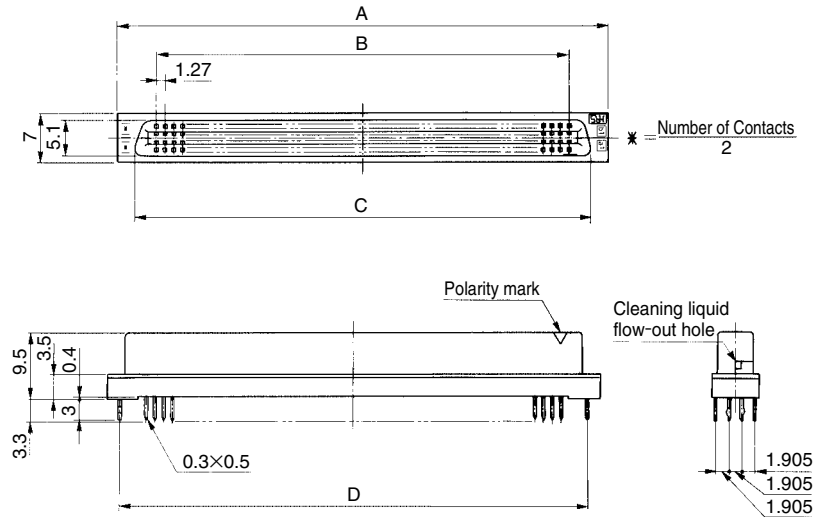
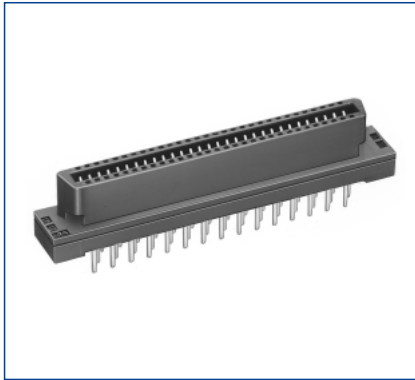
Note : Not required, if no prefixed pin is attached.

Unit : mm

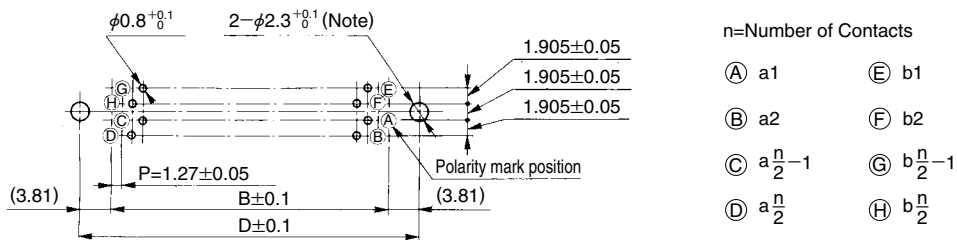
| Part No. | HRS No. | No. of Contacts | A | B | C | D | RoHS |
|------------------------|---------------|-----------------|-------|-------|-------|-------|------|
| FX2C-20S-1.27DSA(71) | 572-2401-7 71 | 20 | 22.75 | 11.43 | 17.63 | _____ | Yes |
| FX2C-20S-1.27DSAL(71) | 572-2451-5 71 | | | | | 19.05 | |
| FX2C-32S-1.27DSA(71) | 572-2402-0 71 | 32 | 30.37 | 19.05 | 25.25 | _____ | |
| FX2C-32S-1.27DSAL(71) | 572-2452-8 71 | | | | | 26.67 | |
| FX2C-40S-1.27DSA(71) | 572-2403-2 71 | 40 | 35.45 | 24.13 | 30.33 | _____ | |
| FX2C-40S-1.27DSAL(71) | 572-2453-0 71 | | | | | 31.75 | |
| FX2C-52S-1.27DSA(71) | 572-2404-5 71 | 52 | 43.07 | 31.75 | 37.95 | _____ | |
| FX2C-52S-1.27DSAL(71) | 572-2454-3 71 | | | | | 39.37 | |
| FX2C-60S-1.27DSA(71) | 572-2405-8 71 | 60 | 48.15 | 36.83 | 43.03 | _____ | |
| FX2C-60S-1.27DSAL(71) | 572-2455-6 71 | | | | | 44.45 | |
| FX2C-68S-1.27DSA(71) | 572-2406-0 71 | 68 | 53.23 | 41.91 | 48.11 | _____ | |
| FX2C-68S-1.27DSAL(71) | 572-2456-9 71 | | | | | 49.53 | |
| FX2C-80S-1.27DSA(71) | 572-2407-3 71 | 80 | 60.85 | 49.53 | 55.73 | _____ | |
| FX2C-80S-1.27DSAL(71) | 572-2457-1 71 | | | | | 57.15 | |
| FX2C-100S-1.27DSA(71) | 572-2408-6 71 | 100 | 73.55 | 62.23 | 68.43 | _____ | |
| FX2C-100S-1.27DSAL(71) | 572-2458-4 71 | | | | | 69.85 | |
| FX2C-120S-1.27DSA(71) | 572-2409-9 71 | 120 | 86.25 | 74.93 | 81.13 | _____ | |
| FX2C-120S-1.27DSAL(71) | 572-2459-7 71 | | | | | 82.55 | |

Receptacle Cleaning Type

Straight Type



PCB mounting pattern



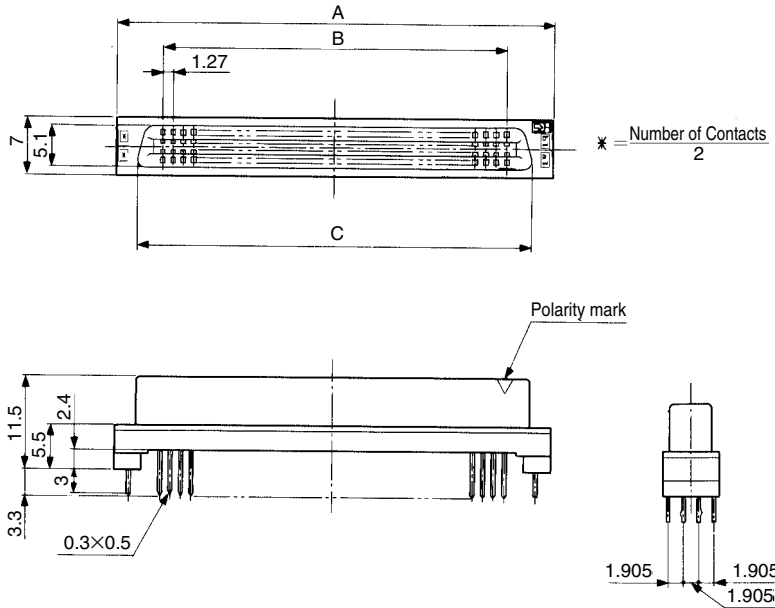
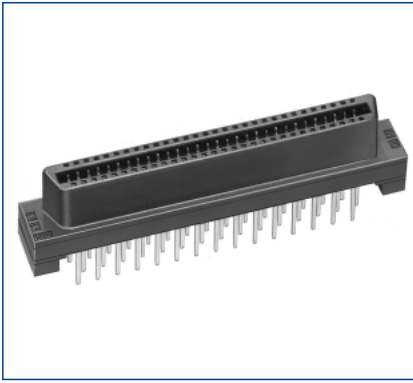
Note : Not required, if no prefixed pin is attached.

Unit : mm

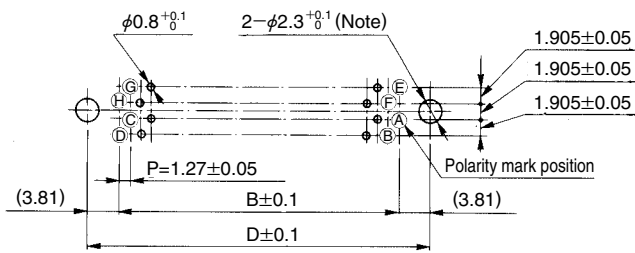
| Part No. | HRS No. | No. of Contacts | A | B | C | D | RoHS |
|------------------------|---------------|-----------------|-------|-------|-------|-------|------|
| FX2C-20S-1.27DSA(71) | 572-2501-1 71 | 20 | 22.75 | 11.43 | 17.63 | _____ | Yes |
| FX2C-20S-1.27DSAL(71) | 572-2551-0 71 | | | | | 19.05 | |
| FX2C-32S-1.27DSA(71) | 572-2502-4 71 | 32 | 30.37 | 19.05 | 25.25 | _____ | |
| FX2C-32S-1.27DSAL(71) | 572-2552-2 71 | | | | | 26.67 | |
| FX2C-40S-1.27DSA(71) | 572-2503-7 71 | 40 | 35.45 | 24.13 | 30.33 | _____ | |
| FX2C-40S-1.27DSAL(71) | 572-2553-5 71 | | | | | 31.75 | |
| FX2C-52S-1.27DSA(71) | 572-2504-0 71 | 52 | 43.07 | 31.75 | 37.95 | _____ | |
| FX2C-52S-1.27DSAL(71) | 572-2554-8 71 | | | | | 39.37 | |
| FX2C-60S-1.27DSA(71) | 572-2505-2 71 | 60 | 48.15 | 36.83 | 43.03 | _____ | |
| FX2C-60S-1.27DSAL(71) | 572-2555-0 71 | | | | | 44.45 | |
| FX2C-68S-1.27DSA(71) | 572-2506-5 71 | 68 | 53.23 | 41.91 | 48.11 | _____ | |
| FX2C-68S-1.27DSAL(71) | 572-2556-3 71 | | | | | 49.53 | |
| FX2C-80S-1.27DSA(71) | 572-2507-8 71 | 80 | 60.85 | 49.53 | 55.73 | _____ | |
| FX2C-80S-1.27DSAL(71) | 572-2557-6 71 | | | | | 57.15 | |
| FX2C-100S-1.27DSA(71) | 572-2508-0 71 | 100 | 73.55 | 62.23 | 68.43 | _____ | |
| FX2C-100S-1.27DSAL(71) | 572-2558-9 71 | | | | | 69.85 | |
| FX2C-120S-1.27DSA(71) | 572-2509-3 71 | 120 | 86.25 | 74.93 | 81.13 | _____ | |
| FX2C-120S-1.27DSAL(71) | 572-2559-1 71 | | | | | 82.55 | |

■ Receptacle No Cleaning Type

● Straight Type



◆ PCB mounting pattern



n=Number of Contacts

- Ⓐ a1 Ⓔ b1
- Ⓑ a2 Ⓕ b2
- Ⓒ $a \frac{n}{2} - 1$ Ⓖ $b \frac{n}{2} - 1$
- Ⓓ $a \frac{n}{2}$ Ⓗ $b \frac{n}{2}$

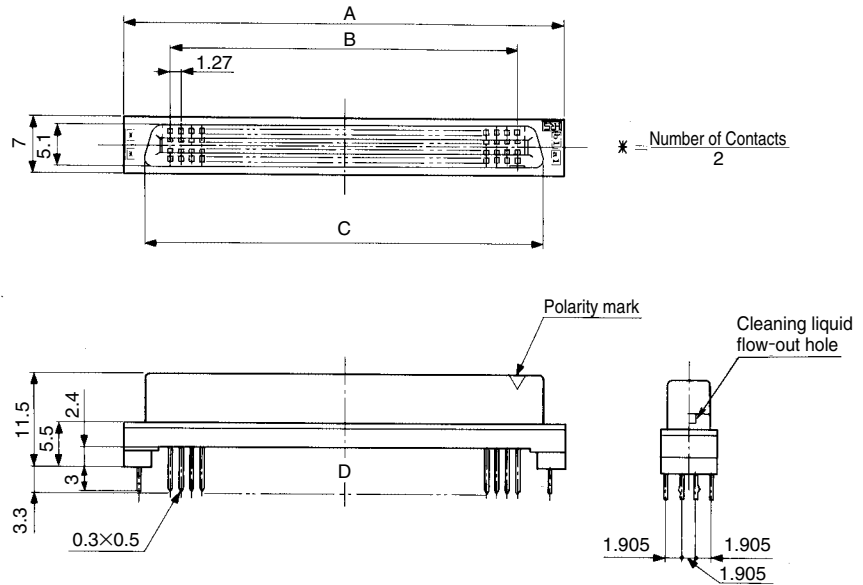
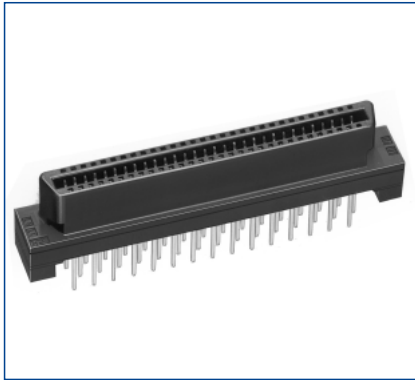
Note : Not required, if no prefixed pin is attached.

Unit : mm

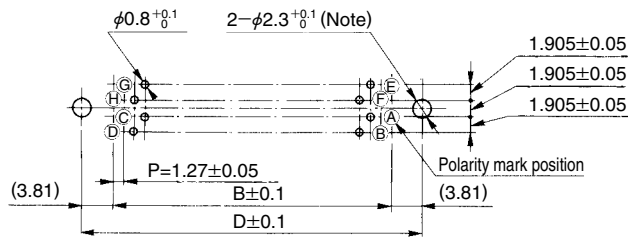
| Part No. | HRS No. | No. of Contacts | A | B | C | D | RoHS |
|-------------------------|---------------|-----------------|-------|-------|-------|-------|------|
| FX2C2-20S-1.27DSA(71) | 572-2421-4 71 | 20 | 22.75 | 11.43 | 17.63 | _____ | Yes |
| FX2C2-20S-1.27DSAL(71) | 572-2471-2 71 | | | | | 19.05 | |
| FX2C2-32S-1.27DSA(71) | 572-2422-7 71 | 32 | 30.37 | 19.05 | 25.25 | _____ | |
| FX2C2-32S-1.27DSAL(71) | 572-2472-5 71 | | | | | 26.67 | |
| FX2C2-40S-1.27DSA(71) | 572-2423-0 71 | 40 | 35.45 | 24.13 | 30.33 | _____ | |
| FX2C2-40S-1.27DSAL(71) | 572-2473-8 71 | | | | | 31.75 | |
| FX2C2-52S-1.27DSA(71) | 572-2424-2 71 | 52 | 43.07 | 31.75 | 37.95 | _____ | |
| FX2C2-52S-1.27DSAL(71) | 572-2474-0 71 | | | | | 39.37 | |
| FX2C2-60S-1.27DSA(71) | 572-2425-5 71 | 60 | 48.15 | 36.83 | 43.03 | _____ | |
| FX2C2-60S-1.27DSAL(71) | 572-2475-3 71 | | | | | 44.45 | |
| FX2C2-68S-1.27DSA(71) | 572-2426-8 71 | 68 | 53.23 | 41.91 | 48.11 | _____ | |
| FX2C2-68S-1.27DSAL(71) | 572-2476-6 71 | | | | | 49.53 | |
| FX2C2-80S-1.27DSA(71) | 572-2427-0 71 | 80 | 60.85 | 49.53 | 55.73 | _____ | |
| FX2C2-80S-1.27DSAL(71) | 572-2477-9 71 | | | | | 57.15 | |
| FX2C2-100S-1.27DSA(71) | 572-2428-3 71 | 100 | 73.55 | 62.23 | 68.43 | _____ | |
| FX2C2-100S-1.27DSAL(71) | 572-2478-1 71 | | | | | 69.85 | |
| FX2C2-120S-1.27DSA(71) | 572-2429-6 71 | 120 | 86.25 | 74.93 | 81.13 | _____ | |
| FX2C2-120S-1.27DSAL(71) | 572-2479-4 71 | | | | | 82.55 | |

Receptacle Cleaning Type

Straight Type



PCB mounting pattern



n=Number of Contacts

- Ⓐ a1 Ⓔ b1
- Ⓑ a2 Ⓕ b2
- Ⓒ $a\frac{n}{2}-1$ Ⓖ $b\frac{n}{2}-1$
- Ⓓ $a\frac{n}{2}$ Ⓗ $b\frac{n}{2}$

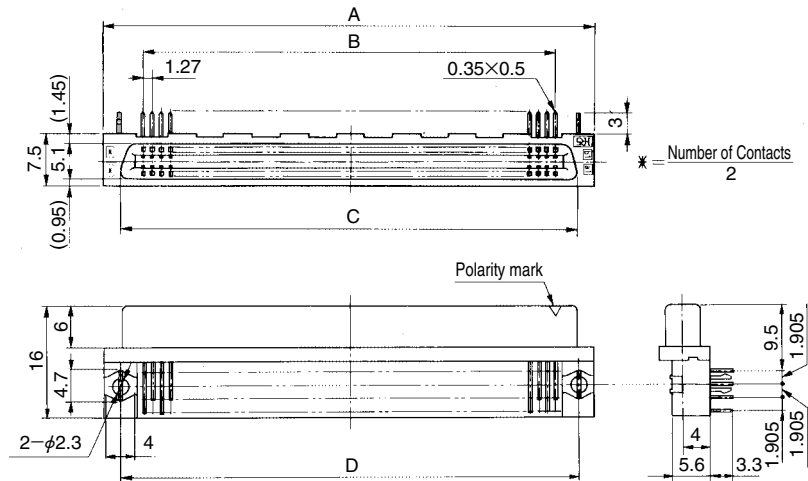
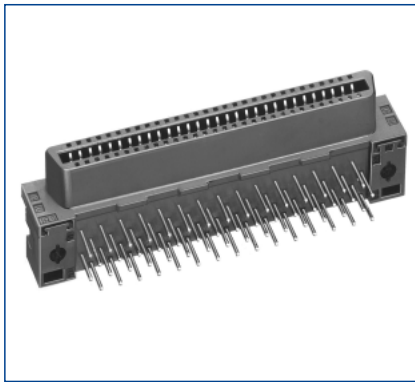
Note : Not required, if no prefixed pin is attached.

Unit : mm

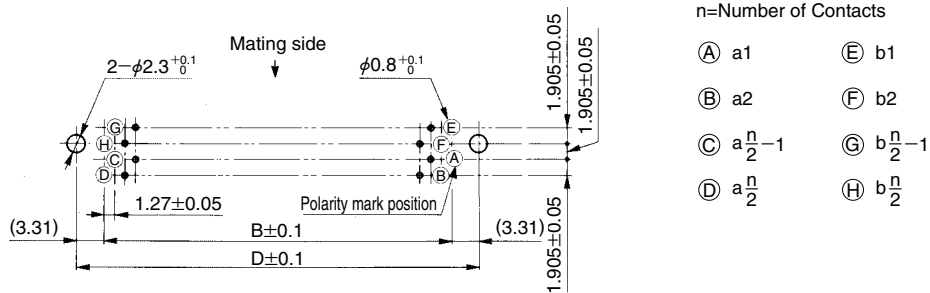
| Part No. | HRS No. | No. of Contacts | A | B | C | D | RoHS |
|--------------------------|---------------|-----------------|-------|-------|-------|-------|------|
| FX2CA2-20S-1.27DSA(71) | 572-2521-9 71 | 20 | 22.75 | 11.43 | 17.63 | _____ | Yes |
| FX2CA2-20S-1.27DSAL(71) | 572-2571-7 71 | | | | | 19.05 | |
| FX2CA2-32S-1.27DSA(71) | 572-2522-1 71 | 32 | 30.37 | 19.05 | 25.25 | _____ | |
| FX2CA2-32S-1.27DSAL(71) | 572-2572-0 71 | | | | | 26.67 | |
| FX2CA2-40S-1.27DSA(71) | 572-2523-4 71 | 40 | 35.45 | 24.13 | 30.33 | _____ | |
| FX2CA2-40S-1.27DSAL(71) | 572-2573-2 71 | | | | | 31.75 | |
| FX2CA2-52S-1.27DSA(71) | 572-2524-7 71 | 52 | 43.07 | 31.75 | 37.95 | _____ | |
| FX2CA2-52S-1.27DSAL(71) | 572-2574-5 71 | | | | | 39.37 | |
| FX2CA2-60S-1.27DSA(71) | 572-2525-0 71 | 60 | 48.15 | 36.83 | 43.03 | _____ | |
| FX2CA2-60S-1.27DSAL(71) | 572-2575-8 71 | | | | | 44.45 | |
| FX2CA2-68S-1.27DSA(71) | 572-2526-2 71 | 68 | 53.23 | 41.91 | 48.11 | _____ | |
| FX2CA2-68S-1.27DSAL(71) | 572-2576-0 71 | | | | | 49.53 | |
| FX2CA2-80S-1.27DSA(71) | 572-2527-5 71 | 80 | 60.85 | 49.53 | 55.73 | _____ | |
| FX2CA2-80S-1.27DSAL(71) | 572-2577-3 71 | | | | | 57.15 | |
| FX2CA2-100S-1.27DSA(71) | 572-2528-8 71 | 100 | 73.55 | 62.23 | 68.43 | _____ | |
| FX2CA2-100S-1.27DSAL(71) | 572-2578-6 71 | | | | | 69.85 | |
| FX2CA2-120S-1.27DSA(71) | 572-2529-0 71 | 120 | 86.25 | 74.93 | 81.13 | _____ | |
| FX2CA2-120S-1.27DSAL(71) | 572-2579-9 71 | | | | | 82.55 | |

■ Receptacle

● Right Angle Type



◆ PCB mounting pattern

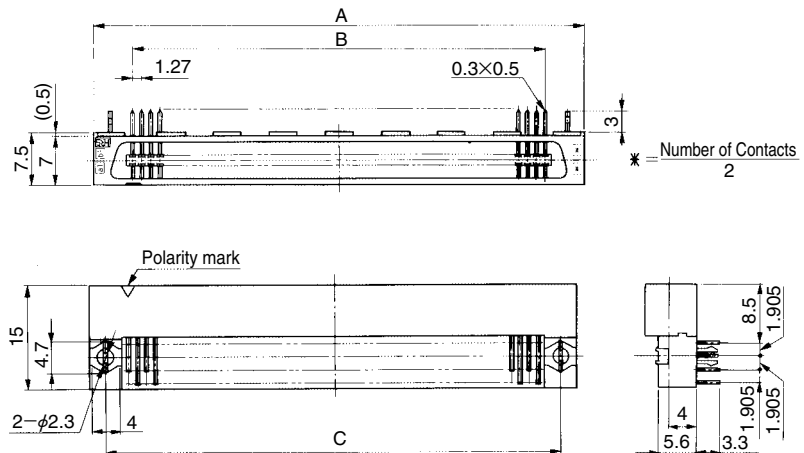
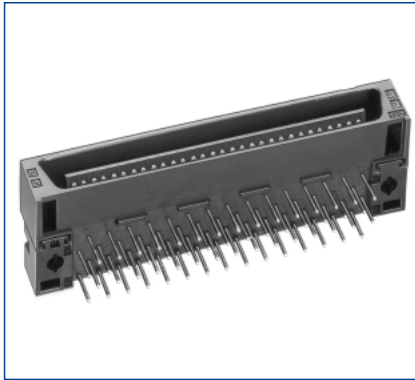


Unit : mm

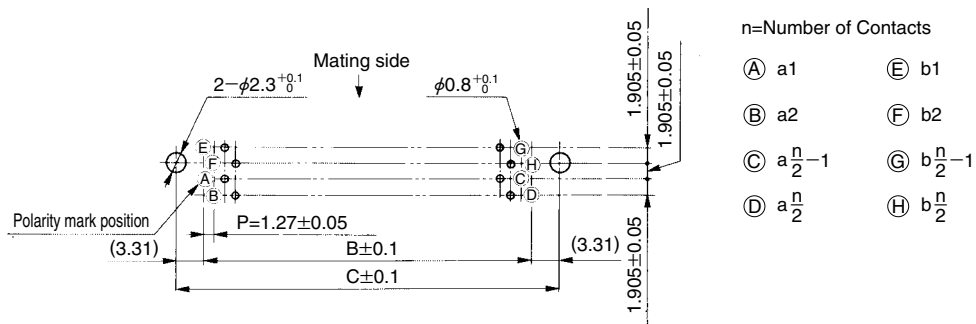
| Part No. | HRS No. | No. of Contacts | A | B | C | D | RoHS |
|----------------------|---------------|-----------------|-------|-------|-------|-------|------|
| FX2-20S-1.27DS(71) | 572-2701-0 71 | 20 | 22.75 | 11.43 | 17.63 | 18.05 | Yes |
| FX2-20S-1.27DSL(71) | 572-2751-9 71 | | | | | | |
| FX2-32S-1.27DS(71) | 572-2702-3 71 | 32 | 30.37 | 19.05 | 25.25 | 25.67 | |
| FX2-32S-1.27DSL(71) | 572-2752-1 71 | | | | | | |
| FX2-40S-1.27DS(71) | 572-2703-6 71 | 40 | 35.45 | 24.13 | 30.33 | 30.75 | |
| FX2-40S-1.27DSL(71) | 572-2753-4 71 | | | | | | |
| FX2-52S-1.27DS(71) | 572-2704-9 71 | 52 | 43.07 | 31.75 | 37.95 | 38.37 | |
| FX2-52S-1.27DSL(71) | 572-2754-7 71 | | | | | | |
| FX2-60S-1.27DS(71) | 572-2705-1 71 | 60 | 48.15 | 36.83 | 43.03 | 43.45 | |
| FX2-60S-1.27DSL(71) | 572-2755-0 71 | | | | | | |
| FX2-68S-1.27DS(71) | 572-2706-4 71 | 68 | 53.23 | 41.91 | 48.11 | 48.53 | |
| FX2-68S-1.27DSL(71) | 572-2756-2 71 | | | | | | |
| FX2-80S-1.27DS(71) | 572-2707-7 71 | 80 | 60.85 | 49.53 | 55.73 | 56.15 | |
| FX2-80S-1.27DSL(71) | 572-2757-5 71 | | | | | | |
| FX2-100S-1.27DS(71) | 572-2708-0 71 | 100 | 73.55 | 62.23 | 68.43 | 68.85 | |
| FX2-100S-1.27DSL(71) | 572-2758-8 71 | | | | | | |
| FX2-120S-1.27DS(71) | 572-2709-2 71 | 120 | 86.25 | 74.93 | 81.13 | 81.55 | |
| FX2-120S-1.27DSL(71) | 572-2759-0 71 | | | | | | |

Header

Right Angle Type



PCB mounting pattern

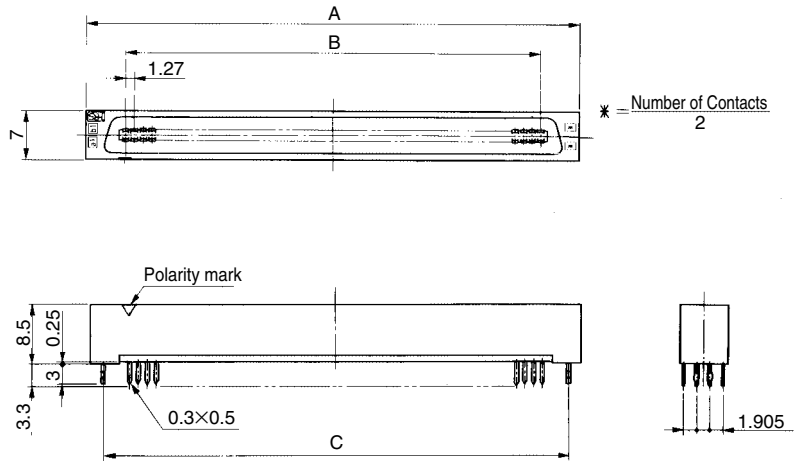
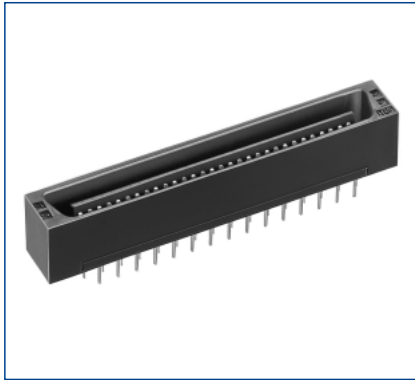


Unit : mm

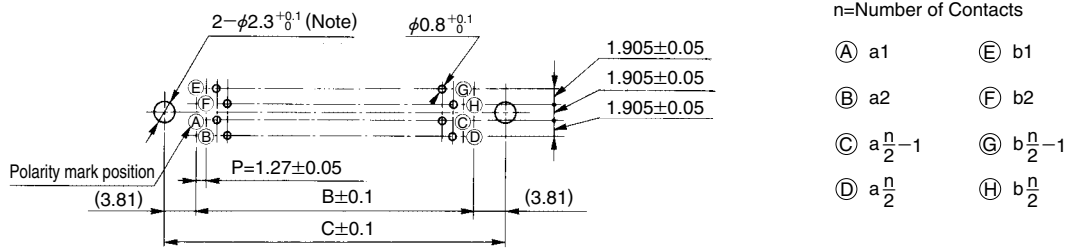
| Part No. | HRS No. | No. of Contacts | A | B | C | RoHS |
|----------------------|---------------|-----------------|-------|-------|-------|------|
| FX2-20P-1.27DS(71) | 572-2601-6 71 | 20 | 22.75 | 11.43 | 18.05 | Yes |
| FX2-20P-1.27DSL(71) | 572-2651-4 71 | | | | | |
| FX2-32P-1.27DS(71) | 572-2602-9 71 | 32 | 30.37 | 19.05 | 25.67 | |
| FX2-32P-1.27DSL(71) | 572-2652-7 71 | | | | | |
| FX2-40P-1.27DS(71) | 572-2603-1 71 | 40 | 35.45 | 24.13 | 30.75 | |
| FX2-40P-1.27DSL(71) | 572-2653-0 71 | | | | | |
| FX2-52P-1.27DS(71) | 572-2604-4 71 | 52 | 43.07 | 31.75 | 38.37 | |
| FX2-52P-1.27DSL(71) | 572-2654-2 71 | | | | | |
| FX2-60P-1.27DS(71) | 572-2605-7 71 | 60 | 48.15 | 36.83 | 43.45 | |
| FX2-60P-1.27DSL(71) | 572-2655-5 71 | | | | | |
| FX2-68P-1.27DS(71) | 572-2606-0 71 | 68 | 53.23 | 41.91 | 48.53 | |
| FX2-68P-1.27DSL(71) | 572-2656-8 71 | | | | | |
| FX2-80P-1.27DS(71) | 572-2607-2 71 | 80 | 60.85 | 49.53 | 56.15 | |
| FX2-80P-1.27DSL(71) | 572-2657-0 71 | | | | | |
| FX2-100P-1.27DS(71) | 572-2608-5 71 | 100 | 73.55 | 62.23 | 68.85 | |
| FX2-100P-1.27DSL(71) | 572-2658-3 71 | | | | | |
| FX2-120P-1.27DS(71) | 572-2609-8 71 | 120 | 86.25 | 74.93 | 81.55 | |
| FX2-120P-1.27DSL(71) | 572-2659-6 71 | | | | | |

Header No Cleaning Type

Straight Type



PCB mounting pattern



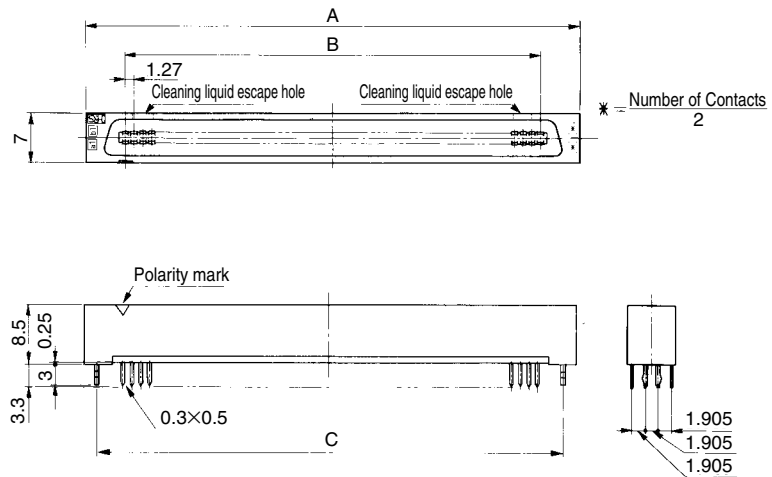
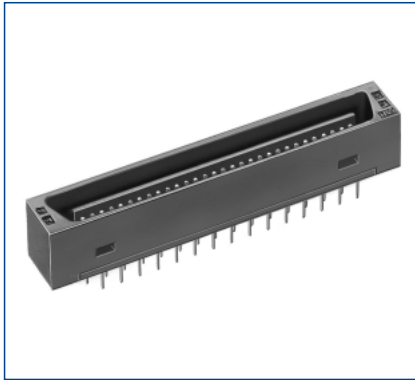
Note : Not required, if no prefixed pin is attached.

Unit : mm

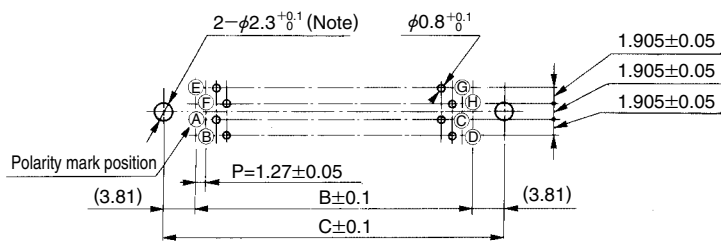
| Part No. | HRS No. | No. of Contacts | A | B | C | RoHS |
|------------------------|---------------|-----------------|-------|-------|-------|------|
| FX2C-20P-1.27DSA(71) | 572-2201-8 71 | 20 | 22.75 | 11.43 | _____ | Yes |
| FX2C-20P-1.27DSAL(71) | 572-2251-6 71 | | | | 19.05 | |
| FX2C-32P-1.27DSA(71) | 572-2202-0 71 | 32 | 30.37 | 19.05 | _____ | |
| FX2C-32P-1.27DSAL(71) | 572-2252-9 71 | | | | 26.67 | |
| FX2C-40P-1.27DSA(71) | 572-2203-3 71 | 40 | 35.45 | 24.13 | _____ | |
| FX2C-40P-1.27DSAL(71) | 572-2253-1 71 | | | | 31.75 | |
| FX2C-52P-1.27DSA(71) | 572-2204-6 71 | 52 | 43.07 | 31.75 | _____ | |
| FX2C-52P-1.27DSAL(71) | 572-2254-4 71 | | | | 39.37 | |
| FX2C-60P-1.27DSA(71) | 572-2205-9 71 | 60 | 48.15 | 36.83 | _____ | |
| FX2C-60P-1.27DSAL(71) | 572-2255-7 71 | | | | 44.45 | |
| FX2C-68P-1.27DSA(71) | 572-2206-1 71 | 68 | 53.23 | 41.91 | _____ | |
| FX2C-68P-1.27DSAL(71) | 572-2256-0 71 | | | | 49.53 | |
| FX2C-80P-1.27DSA(71) | 572-2207-4 71 | 80 | 60.85 | 49.53 | _____ | |
| FX2C-80P-1.27DSAL(71) | 572-2257-2 71 | | | | 57.15 | |
| FX2C-100P-1.27DSA(71) | 572-2208-7 71 | 100 | 73.55 | 62.23 | _____ | |
| FX2C-100P-1.27DSAL(71) | 572-2258-5 71 | | | | 69.85 | |
| FX2C-120P-1.27DSA(71) | 572-2209-0 71 | 120 | 86.25 | 74.93 | _____ | |
| FX2C-120P-1.27DSAL(71) | 572-2259-8 71 | | | | 82.55 | |

Header Cleaning Type

● Straight Type



◆ PCB mounting pattern



n=Number of Contacts

- Ⓐ a₁ Ⓔ b₁
- Ⓑ a₂ Ⓕ b₂
- Ⓒ a _{$\frac{n}{2}$ -1} Ⓖ b _{$\frac{n}{2}$ -1}
- Ⓓ a _{$\frac{n}{2}$} Ⓖ b _{$\frac{n}{2}$}

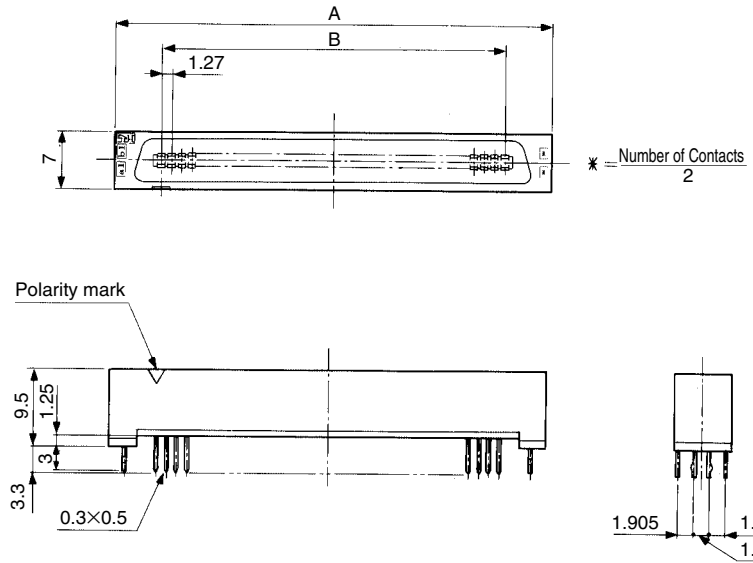
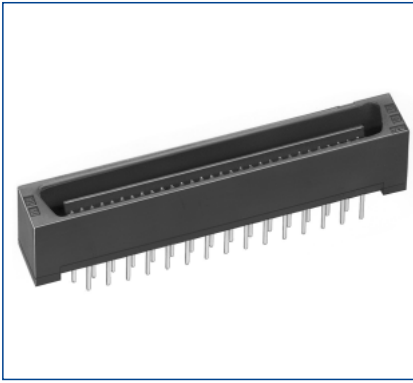
Note : Not required, if no prefixed pin is attached.

Unit : mm

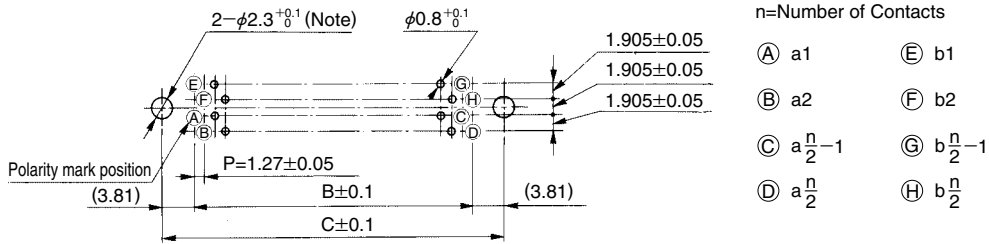
| Part No. | HRS No. | No. of Contacts | A | B | C | RoHS |
|-------------------------|---------------|-----------------|-------|-------|-------|------|
| FX2CA-20P-1.27DSA(71) | 572-2301-2 71 | 20 | 22.75 | 11.43 | _____ | Yes |
| FX2CA-20P-1.27DSAL(71) | 572-2351-0 71 | | | | 19.05 | |
| FX2CA-32P-1.27DSA(71) | 572-2302-5 71 | 32 | 30.37 | 19.05 | _____ | |
| FX2CA-32P-1.27DSAL(71) | 572-2352-3 71 | | | | 26.67 | |
| FX2CA-40P-1.27DSA(71) | 572-2303-8 71 | 40 | 35.45 | 24.13 | _____ | |
| FX2CA-40P-1.27DSAL(71) | 572-2353-6 71 | | | | 31.75 | |
| FX2CA-52P-1.27DSA(71) | 572-2304-0 71 | 52 | 43.07 | 31.75 | _____ | |
| FX2CA-52P-1.27DSAL(71) | 572-2354-9 71 | | | | 39.37 | |
| FX2CA-60P-1.27DSA(71) | 572-2305-3 71 | 60 | 48.15 | 36.83 | _____ | |
| FX2CA-60P-1.27DSAL(71) | 572-2355-1 71 | | | | 44.45 | |
| FX2CA-68P-1.27DSA(71) | 572-2306-6 71 | 68 | 53.23 | 41.91 | _____ | |
| FX2CA-68P-1.27DSAL(71) | 572-2356-4 71 | | | | 49.53 | |
| FX2CA-80P-1.27DSA(71) | 572-2307-9 71 | 80 | 60.85 | 49.53 | _____ | |
| FX2CA-80P-1.27DSAL(71) | 572-2357-7 71 | | | | 57.15 | |
| FX2CA-100P-1.27DSA(71) | 572-2308-1 71 | 100 | 73.55 | 62.23 | _____ | |
| FX2CA-100P-1.27DSAL(71) | 572-2358-0 71 | | | | 69.85 | |
| FX2CA-120P-1.27DSA(71) | 572-2309-4 71 | 120 | 86.25 | 74.93 | _____ | |
| FX2CA-120P-1.27DSAL(71) | 572-2359-2 71 | | | | 82.55 | |

Header No Cleaning Type

Straight Type



PCB mounting pattern



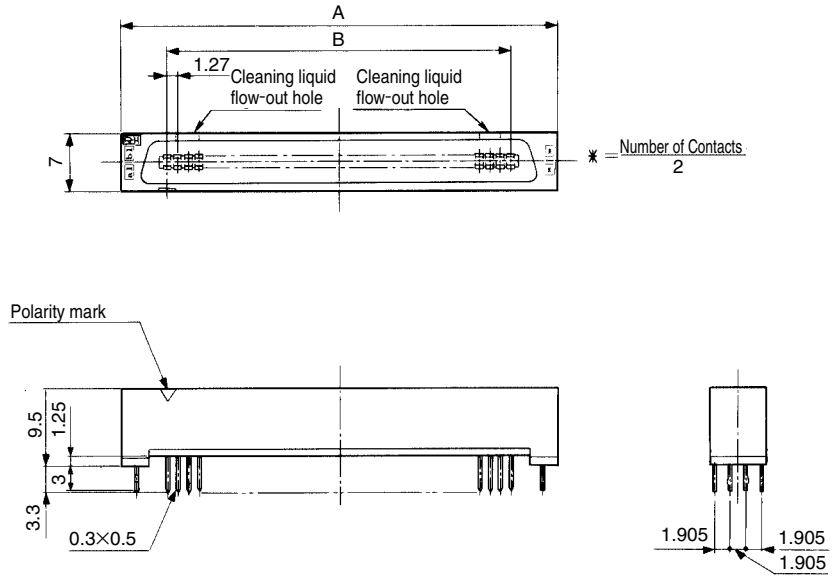
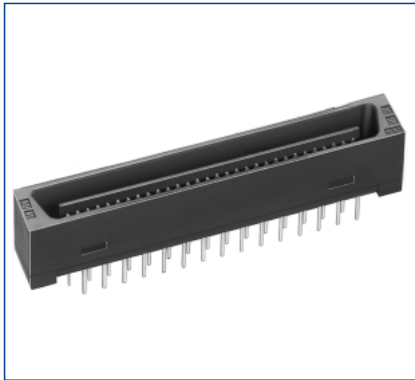
Note : Not required, if no prefixed pin is attached.

Unit : mm

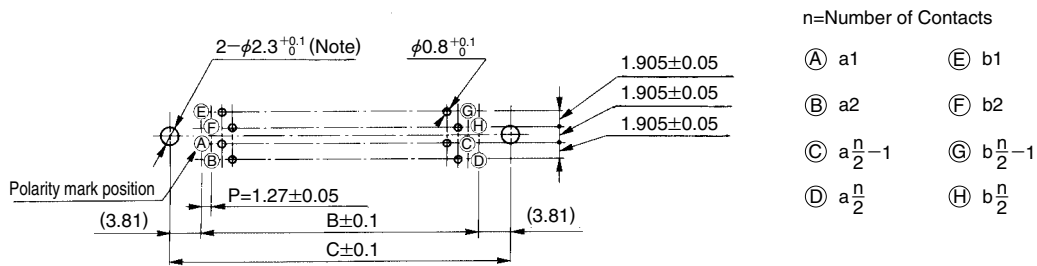
| Part No. | HRS No. | No. of Contacts | A | B | C | RoHS |
|-------------------------|---------------|-----------------|-------|-------|-------|------|
| FX2C1-20P-1.27DSA(71) | 572-2211-1 71 | 20 | 22.75 | 11.43 | _____ | Yes |
| FX2C1-20P-1.27DSAL(71) | 572-2261-0 71 | | | | 19.05 | |
| FX2C1-32P-1.27DSA(71) | 572-2212-4 71 | 32 | 30.37 | 19.05 | _____ | |
| FX2C1-32P-1.27DSAL(71) | 572-2262-2 71 | | | | 26.67 | |
| FX2C1-40P-1.27DSA(71) | 572-2213-7 71 | 40 | 35.45 | 24.13 | _____ | |
| FX2C1-40P-1.27DSAL(71) | 572-2263-5 71 | | | | 31.75 | |
| FX2C1-52P-1.27DSA(71) | 572-2214-0 71 | 52 | 43.07 | 31.75 | _____ | |
| FX2C1-52P-1.27DSAL(71) | 572-2264-8 71 | | | | 39.37 | |
| FX2C1-60P-1.27DSA(71) | 572-2215-2 71 | 60 | 48.15 | 36.83 | _____ | |
| FX2C1-60P-1.27DSAL(71) | 572-2265-0 71 | | | | 44.45 | |
| FX2C1-68P-1.27DSA(71) | 572-2216-5 71 | 68 | 53.23 | 41.91 | _____ | |
| FX2C1-68P-1.27DSAL(71) | 572-2266-3 71 | | | | 49.53 | |
| FX2C1-80P-1.27DSA(71) | 572-2217-8 71 | 80 | 60.85 | 49.53 | _____ | |
| FX2C1-80P-1.27DSAL(71) | 572-2267-6 71 | | | | 57.15 | |
| FX2C1-100P-1.27DSA(71) | 572-2218-0 71 | 100 | 73.55 | 62.23 | _____ | |
| FX2C1-100P-1.27DSAL(71) | 572-2268-9 71 | | | | 69.85 | |
| FX2C1-120P-1.27DSA(71) | 572-2219-3 71 | 120 | 86.25 | 74.93 | _____ | |
| FX2C1-120P-1.27DSAL(71) | 572-2269-1 71 | | | | 82.55 | |

Header Cleaning Type

Straight Type



PCB mounting pattern



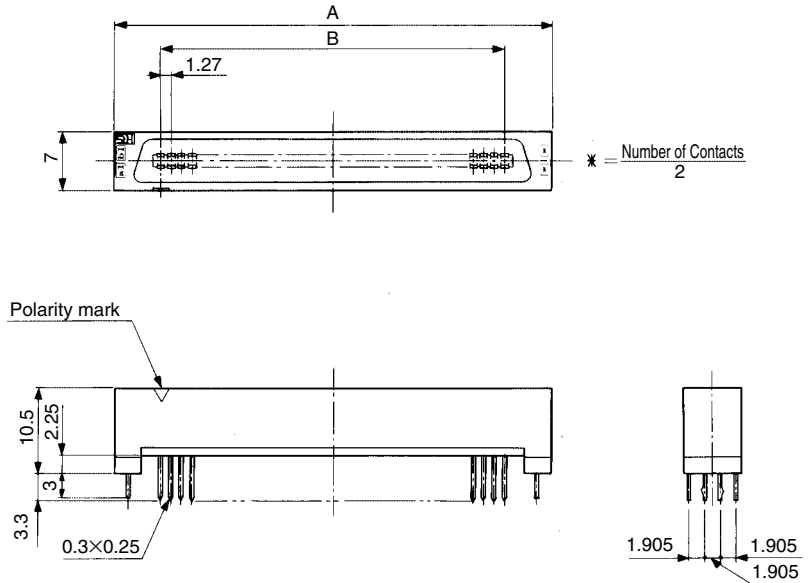
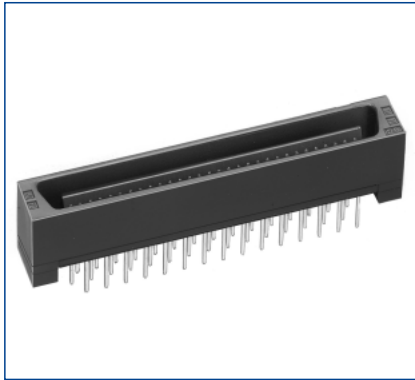
Note : Not required, if no prefixed pin is attached.

Unit : mm

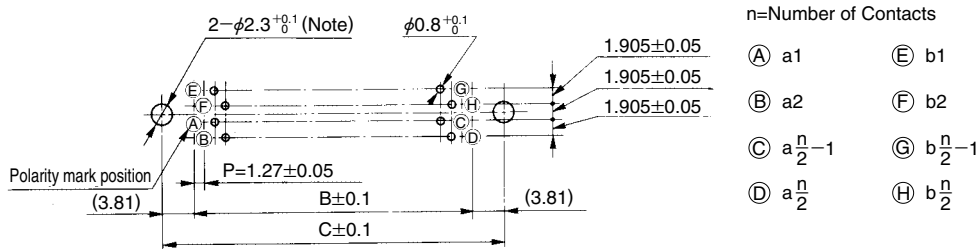
| Part No. | HRS No. | No. of Contacts | A | B | C | RoHS |
|--------------------------|---------------|-----------------|-------|-------|-------|------|
| FX2CA1-20P-1.27DSA(71) | 572-2311-6 71 | 20 | 22.75 | 11.43 | _____ | Yes |
| FX2CA1-20P-1.27DSAL(71) | 572-2361-4 71 | | | | 19.05 | |
| FX2CA1-32P-1.27DSA(71) | 572-2312-9 71 | 32 | 30.37 | 19.05 | _____ | |
| FX2CA1-32P-1.27DSAL(71) | 572-2362-7 71 | | | | 26.67 | |
| FX2CA1-40P-1.27DSA(71) | 572-2313-1 71 | 40 | 35.45 | 24.13 | _____ | |
| FX2CA1-40P-1.27DSAL(71) | 572-2363-0 71 | | | | 31.75 | |
| FX2CA1-52P-1.27DSA(71) | 572-2314-4 71 | 52 | 43.07 | 31.75 | _____ | |
| FX2CA1-52P-1.27DSAL(71) | 572-2364-2 71 | | | | 39.37 | |
| FX2CA1-60P-1.27DSA(71) | 572-2315-7 71 | 60 | 48.15 | 36.83 | _____ | |
| FX2CA1-60P-1.27DSAL(71) | 572-2365-5 71 | | | | 44.45 | |
| FX2CA1-68P-1.27DSA(71) | 572-2316-0 71 | 68 | 53.23 | 41.91 | _____ | |
| FX2CA1-68P-1.27DSAL(71) | 572-2366-8 71 | | | | 49.53 | |
| FX2CA1-80P-1.27DSA(71) | 572-2317-2 71 | 80 | 60.85 | 49.53 | _____ | |
| FX2CA1-80P-1.27DSAL(71) | 572-2367-0 71 | | | | 57.15 | |
| FX2CA1-100P-1.27DSA(71) | 572-2318-5 71 | 100 | 73.55 | 62.23 | _____ | |
| FX2CA1-100P-1.27DSAL(71) | 572-2368-3 71 | | | | 69.85 | |
| FX2CA1-120P-1.27DSA(71) | 572-2319-8 71 | 120 | 86.25 | 74.93 | _____ | |
| FX2CA1-120P-1.27DSAL(71) | 572-2369-6 71 | | | | 82.55 | |

Header No Cleaning Type

Straight Type



PCB mounting pattern



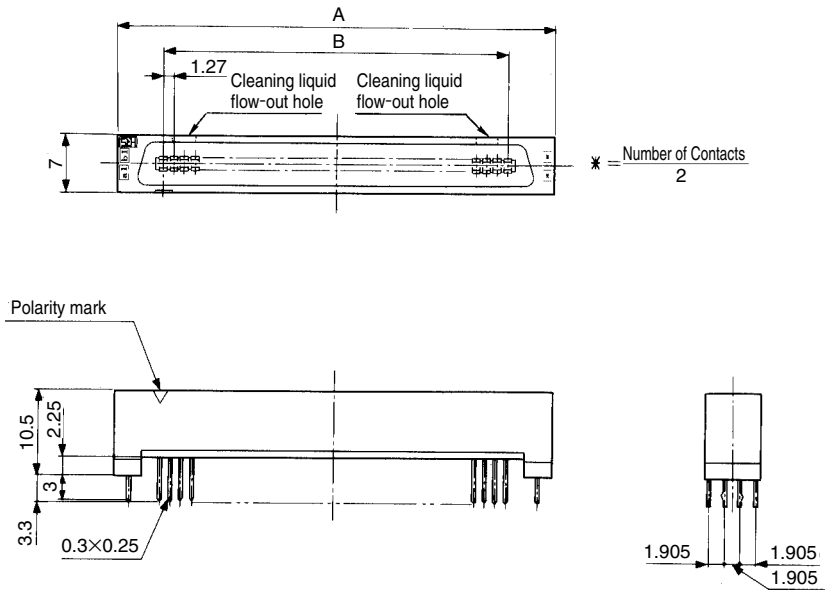
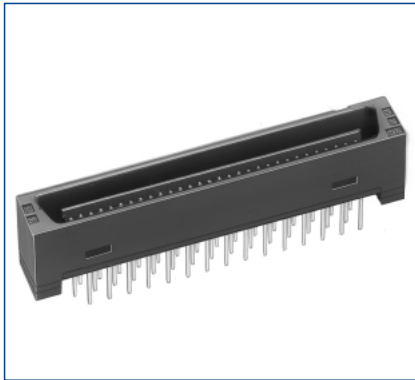
Note : Not required, if no prefixed pin is attached.

Unit : mm

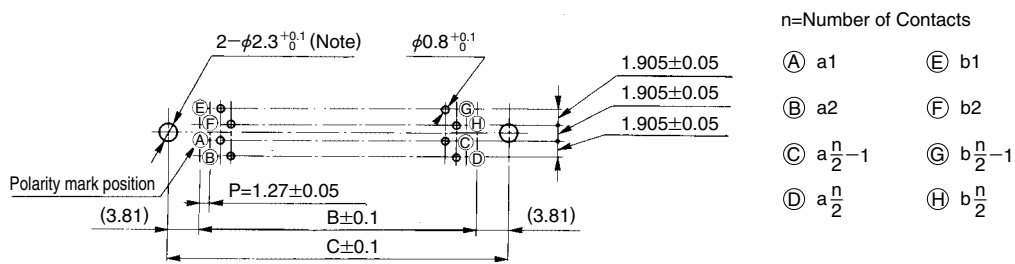
| Part No. | HRS No. | No. of Contacts | A | B | C | RoHS |
|-------------------------|---------------|-----------------|-------|-------|-------|------|
| FX2C2-20P-1.27DSA(71) | 572-2221-5 71 | 20 | 22.75 | 11.43 | _____ | Yes |
| FX2C2-20P-1.27DSAL(71) | 572-2271-3 71 | | | | 19.05 | |
| FX2C2-32P-1.27DSA(71) | 572-2222-8 71 | 32 | 30.37 | 19.05 | _____ | |
| FX2C2-32P-1.27DSAL(71) | 572-2272-6 71 | | | | 26.67 | |
| FX2C2-40P-1.27DSA(71) | 572-2223-0 71 | 40 | 35.45 | 24.13 | _____ | |
| FX2C2-40P-1.27DSAL(71) | 572-2273-9 71 | | | | 31.75 | |
| FX2C2-52P-1.27DSA(71) | 572-2224-3 71 | 52 | 43.07 | 31.75 | _____ | |
| FX2C2-52P-1.27DSAL(71) | 572-2274-1 71 | | | | 39.37 | |
| FX2C2-60P-1.27DSA(71) | 572-2225-6 71 | 60 | 48.15 | 36.83 | _____ | |
| FX2C2-60P-1.27DSAL(71) | 572-2275-4 71 | | | | 44.45 | |
| FX2C2-68P-1.27DSA(71) | 572-2226-9 71 | 68 | 53.23 | 41.91 | _____ | |
| FX2C2-68P-1.27DSAL(71) | 572-2276-7 71 | | | | 49.53 | |
| FX2C2-80P-1.27DSA(71) | 572-2227-1 71 | 80 | 60.85 | 49.53 | _____ | |
| FX2C2-80P-1.27DSAL(71) | 572-2277-0 71 | | | | 57.15 | |
| FX2C2-100P-1.27DSA(71) | 572-2228-4 71 | 100 | 73.55 | 62.23 | _____ | |
| FX2C2-100P-1.27DSAL(71) | 572-2278-2 71 | | | | 69.85 | |
| FX2C2-120P-1.27DSA(71) | 572-2229-7 71 | 120 | 86.25 | 74.93 | _____ | |
| FX2C2-120P-1.27DSAL(71) | 572-2279-5 71 | | | | 82.55 | |

Header Cleaning Type

Straight Type



PCB mounting pattern



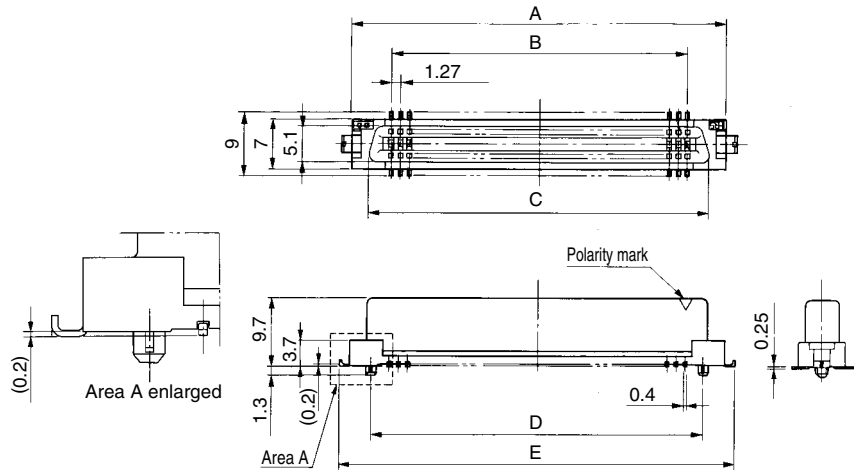
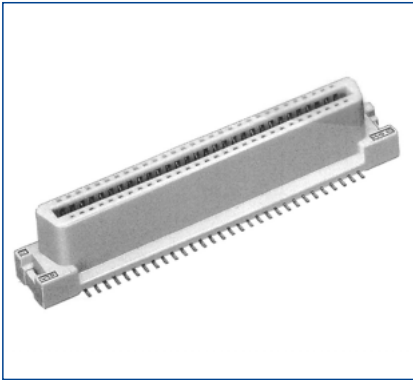
Note : Not required, if no prefixed pin is attached.

Unit : mm

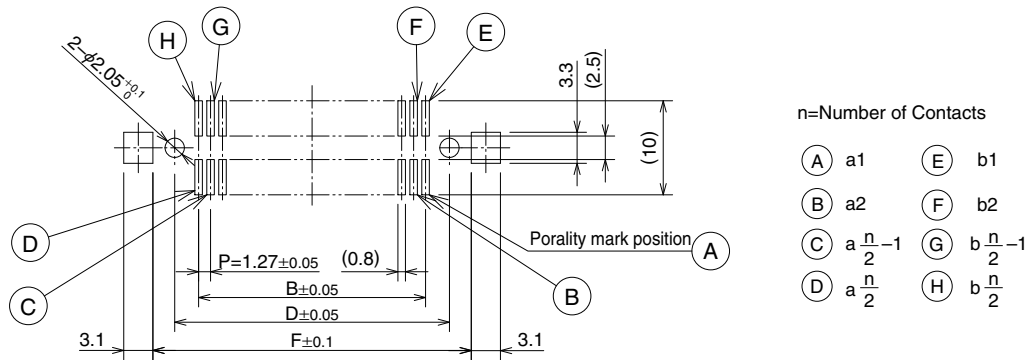
| Part No. | HRS No. | No. of Contacts | A | B | C | RoHS |
|--------------------------|---------------|-----------------|-------|-------|-------|------|
| FX2CA2-20P-1.27DSA(71) | 572-2321-0 71 | 20 | 22.75 | 11.43 | _____ | Yes |
| FX2CA2-20P-1.27DSAL(71) | 572-2371-8 71 | | | | 19.05 | |
| FX2CA2-32P-1.27DSA(71) | 572-2322-2 71 | 32 | 30.37 | 19.05 | _____ | |
| FX2CA2-32P-1.27DSAL(71) | 572-2372-0 71 | | | | 26.67 | |
| FX2CA2-40P-1.27DSA(71) | 572-2323-5 71 | 40 | 35.45 | 24.13 | _____ | |
| FX2CA2-40P-1.27DSAL(71) | 572-2373-3 71 | | | | 31.75 | |
| FX2CA2-52P-1.27DSA(71) | 572-2324-8 71 | 52 | 43.07 | 31.75 | _____ | |
| FX2CA2-52P-1.27DSAL(71) | 572-2374-6 71 | | | | 39.37 | |
| FX2CA2-60P-1.27DSA(71) | 572-2325-0 71 | 60 | 48.15 | 36.83 | _____ | |
| FX2CA2-60P-1.27DSAL(71) | 572-2375-9 71 | | | | 44.45 | |
| FX2CA2-68P-1.27DSA(71) | 572-2326-3 71 | 68 | 53.23 | 41.91 | _____ | |
| FX2CA2-68P-1.27DSAL(71) | 572-2376-1 71 | | | | 49.53 | |
| FX2CA2-80P-1.27DSA(71) | 572-2327-6 71 | 80 | 60.85 | 49.53 | _____ | |
| FX2CA2-80P-1.27DSAL(71) | 572-2377-4 71 | | | | 57.15 | |
| FX2CA2-100P-1.27DSA(71) | 572-2328-9 71 | 100 | 73.55 | 62.23 | _____ | |
| FX2CA2-100P-1.27DSAL(71) | 572-2378-7 71 | | | | 69.85 | |
| FX2CA2-120P-1.27DSA(71) | 572-2329-1 71 | 120 | 86.25 | 74.93 | _____ | |
| FX2CA2-120P-1.27DSAL(71) | 572-2379-0 71 | | | | 82.55 | |

■ Receptacle SMT Type

● Straight Type



◆ PCB mounting pattern

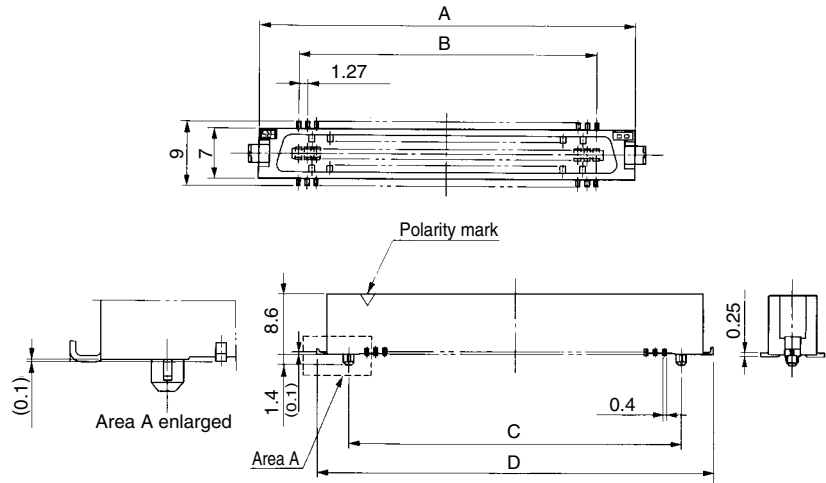
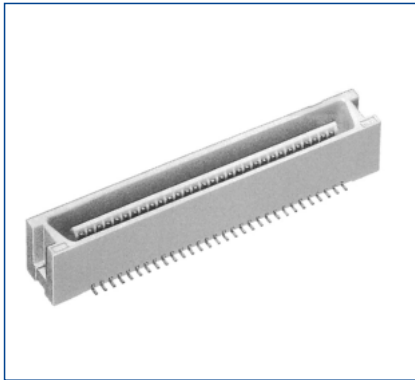


Unit : mm

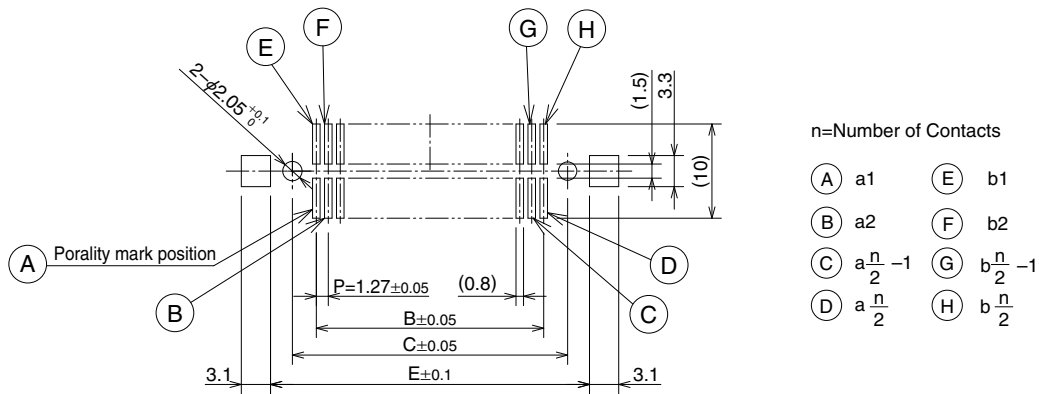
| Part No. | HRS No. | No. of Contacts | A | B | C | D | E | F | RoHS |
|----------------------|---------------|-----------------|-------|-------|-------|-------|-------|-------|------|
| FX2-20S-1.27SV(71) | 572-2101-3 71 | 20 | 22.75 | 11.43 | 17.63 | 16.51 | — | — | Yes |
| FX2-20S-1.27SVL(71) | 572-2151-1 71 | | | | | | 25.75 | 21.15 | |
| FX2-32S-1.27SV(71) | 572-2102-6 71 | 32 | 30.37 | 19.05 | 25.25 | 24.13 | — | — | |
| FX2-32S-1.27SVL(71) | 572-2152-4 71 | | | | | | 33.37 | 28.77 | |
| FX2-40S-1.27SV(71) | 572-2103-9 71 | 40 | 35.45 | 24.13 | 30.33 | 29.21 | — | — | |
| FX2-40S-1.27SVL(71) | 572-2153-7 71 | | | | | | 38.45 | 33.85 | |
| FX2-52S-1.27SV(71) | 572-2104-1 71 | 52 | 43.07 | 31.75 | 37.95 | 36.83 | — | — | |
| FX2-52S-1.27SVL(71) | 572-2154-0 71 | | | | | | 46.07 | 41.47 | |
| FX2-60S-1.27SV(71) | 572-2105-4 71 | 60 | 48.15 | 36.83 | 43.03 | 41.91 | — | — | |
| FX2-60S-1.27SVL(71) | 572-2155-2 71 | | | | | | 51.15 | 46.55 | |
| FX2-68S-1.27SV(71) | 572-2106-7 71 | 68 | 53.23 | 41.91 | 48.11 | 46.99 | — | — | |
| FX2-68S-1.27SVL(71) | 572-2156-5 71 | | | | | | 56.23 | 51.63 | |
| FX2-80S-1.27SV(71) | 572-2107-0 71 | 80 | 60.85 | 49.53 | 55.73 | 54.61 | — | — | |
| FX2-80S-1.27SVL(71) | 572-2157-8 71 | | | | | | 63.85 | 59.25 | |
| FX2-100S-1.27SV(71) | 572-2108-2 71 | 100 | 73.55 | 62.23 | 68.43 | 67.31 | — | — | |
| FX2-100S-1.27SVL(71) | 572-2158-0 71 | | | | | | 76.55 | 71.95 | |
| FX2-120S-1.27SV(71) | 572-2109-5 71 | 120 | 86.25 | 74.93 | 81.13 | 80.01 | — | — | |
| FX2-120S-1.27SVL(71) | 572-2159-3 71 | | | | | | 89.25 | 84.65 | |

Header SMT Type

Straight Type



PCB mounting pattern

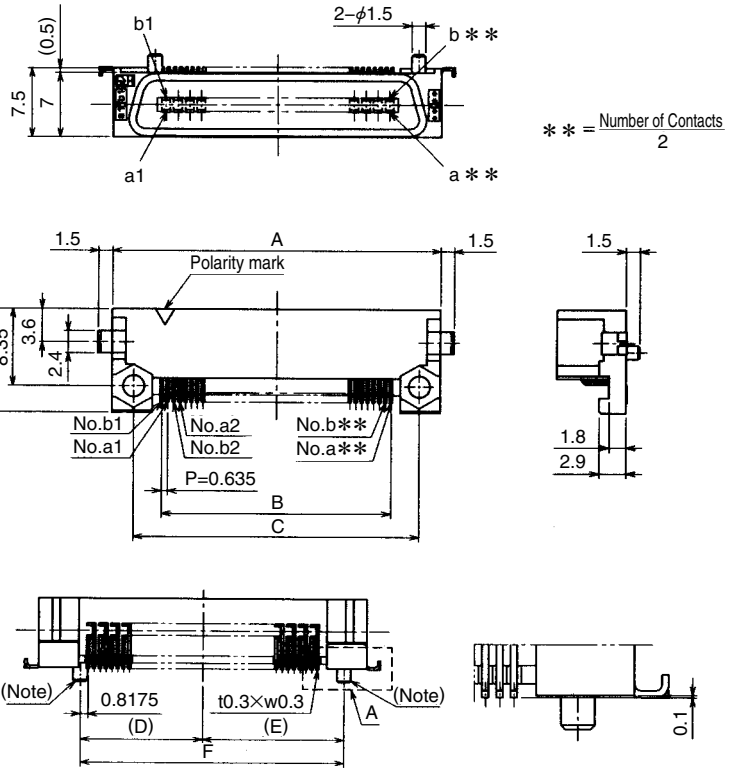


Unit : mm

| Part No. | HRS No. | No. of Contacts | A | B | C | D | E | RoHS |
|----------------------|---------------|-----------------|-------|-------|-------|-------|-------|------|
| FX2-20P-1.27SV(71) | 572-2001-9 71 | 20 | 22.75 | 11.43 | 16.51 | — | — | Yes |
| FX2-20P-1.27SVL(71) | 572-2051-7 71 | | | | | 25.75 | 21.15 | |
| FX2-32P-1.27SV(71) | 572-2002-1 71 | 32 | 30.37 | 19.05 | 24.13 | — | — | |
| FX2-32P-1.27SVL(71) | 572-2052-0 71 | | | | | 33.37 | 28.77 | |
| FX2-40P-1.27SV(71) | 572-2003-4 71 | 40 | 35.45 | 24.13 | 29.21 | — | — | |
| FX2-40P-1.27SVL(71) | 572-2053-2 71 | | | | | 38.45 | 33.85 | |
| FX2-52P-1.27SV(71) | 572-2004-7 71 | 52 | 43.07 | 31.75 | 36.83 | — | — | |
| FX2-52P-1.27SVL(71) | 572-2054-5 71 | | | | | 46.07 | 41.47 | |
| FX2-60P-1.27SV(71) | 572-2005-0 71 | 60 | 48.15 | 36.83 | 41.91 | — | — | |
| FX2-60P-1.27SVL(71) | 572-2055-8 71 | | | | | 51.15 | 46.55 | |
| FX2-68P-1.27SV(71) | 572-2006-2 71 | 68 | 53.23 | 41.91 | 46.99 | — | — | |
| FX2-68P-1.27SVL(71) | 572-2056-0 71 | | | | | 56.23 | 51.63 | |
| FX2-80P-1.27SV(71) | 572-2007-5 71 | 80 | 60.85 | 49.53 | 54.61 | — | — | |
| FX2-80P-1.27SVL(71) | 572-2057-3 71 | | | | | 63.85 | 59.25 | |
| FX2-100P-1.27SV(71) | 572-2008-8 71 | 100 | 73.55 | 62.23 | 67.31 | — | — | |
| FX2-100P-1.27SVL(71) | 572-2058-6 71 | | | | | 76.55 | 71.95 | |
| FX2-120P-1.27SV(71) | 572-2009-0 71 | 120 | 86.25 | 74.93 | 80.01 | — | — | |
| FX2-120P-1.27SVL(71) | 572-2059-9 71 | | | | | 89.25 | 84.65 | |

Header SMT Type

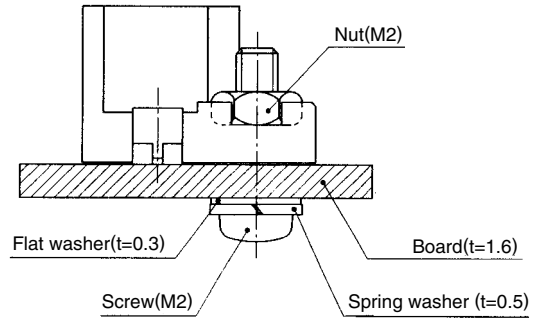
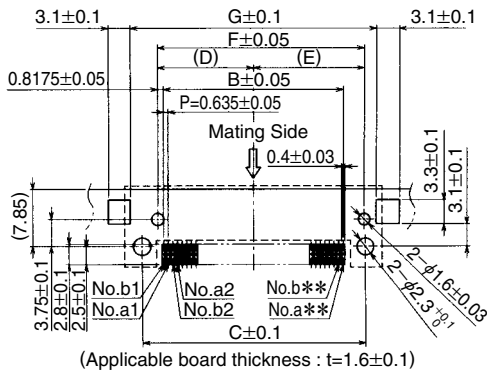
Right Angle Type



Note: The FX2A type does not have bosses as shown in the illustration.

PCB mounting Pattern

Recommended Screw Tightening Conditions



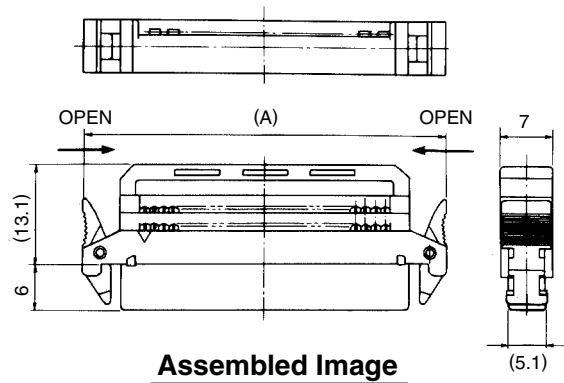
Use M2 screw for fixture.
Recommended torque is 0.15(N·m).

Unit : mm

| Part No. | HRS No. | No. of Contacts | A | B | C | D | E | F | G | RoHS |
|----------------------|---------------|-----------------|-------|--------|-------|-------|-------|-------|-------|------|
| FX2-20P-0.635SH(71) | 572-2761-2 71 | 20 | 22.75 | 12.065 | 18.05 | 6.85 | 8.85 | 15.7 | 21.15 | Yes |
| FX2A-20P-0.635SH(71) | 572-2771-6 71 | | | | | — | — | — | | |
| FX2-40P-0.635SH(71) | 572-2763-8 71 | 40 | 35.45 | 24.765 | 30.75 | 13.2 | 15.2 | 28.4 | 33.85 | |
| FX2A-40P-0.635SH(71) | 572-2773-1 71 | | | | | — | — | — | | |
| FX2-52P-0.635SH(71) | 572-2764-0 71 | 52 | 43.07 | 32.385 | 38.37 | 17.01 | 19.01 | 36.02 | 41.47 | |
| FX2A-52P-0.635SH(71) | 572-2774-4 71 | | | | | — | — | — | | |
| FX2-60P-0.635SH(71) | 572-2765-3 71 | 60 | 48.15 | 37.465 | 43.45 | 19.55 | 21.55 | 41.1 | 46.55 | |
| FX2A-60P-0.635SH(71) | 572-2775-7 71 | | | | | — | — | — | | |
| FX2-80P-0.635SH(71) | 572-2767-9 71 | 80 | 60.85 | 50.165 | 56.15 | 25.9 | 27.9 | 53.8 | 59.25 | |
| FX2A-80P-0.635SH(71) | 572-2777-2 71 | | | | | — | — | — | | |

■ Socket Type

● Cable Type with Lock

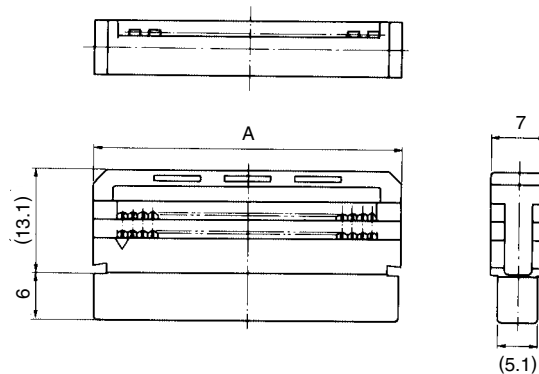


Assembled Image

Unit : mm

| Part No. | HRS No. | No. of Contacts | A | RoHS |
|------------------|------------|-----------------|-------|------|
| FX2B-20SA-1.27R | 572-0621-2 | 20 | 27.83 | Yes |
| FX2B-32SA-1.27R | 572-0622-5 | 32 | 35.45 | |
| FX2B-40SA-1.27R | 572-0623-8 | 40 | 40.53 | |
| FX2B-52SA-1.27R | 572-0624-0 | 52 | 48.15 | |
| FX2B-60SA-1.27R | 572-0625-3 | 60 | 53.23 | |
| FX2B-68SA-1.27R | 572-0629-4 | 68 | 58.31 | |
| FX2B-80SA-1.27R | 572-0630-3 | 80 | 65.93 | |
| FX2B-100SA-1.27R | 572-0628-1 | 100 | 78.63 | |

● Cable Type without Lock



Assembled Image

Unit : mm

| Part No. | HRS No. | No. of Contacts | A | RoHS |
|-------------------|------------|-----------------|-------|------|
| FX2BA-20SA-1.27R | 572-0671-0 | 20 | 18.05 | Yes |
| FX2BA-32SA-1.27R | 572-0672-3 | 32 | 25.67 | |
| FX2BA-40SA-1.27R | 572-0673-6 | 40 | 30.75 | |
| FX2BA-52SA-1.27R | 572-0674-9 | 52 | 38.37 | |
| FX2BA-60SA-1.27R | 572-0675-1 | 60 | 43.45 | |
| FX2BA-68SA-1.27R | 572-0676-4 | 68 | 48.53 | |
| FX2BA-80SA-1.27R | 572-0677-7 | 80 | 56.15 | |
| FX2BA-100SA-1.27R | 572-0678-0 | 100 | 68.85 | |

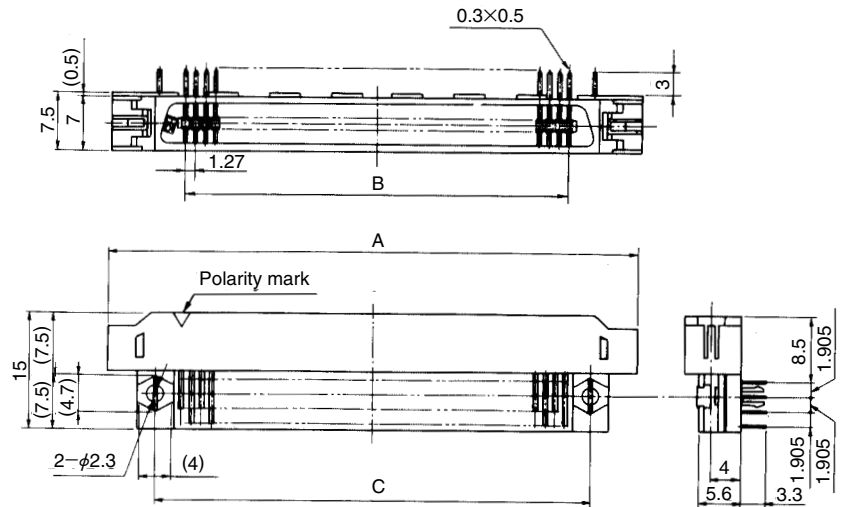
◆ Connection Tool

| Type | Part No. | HRS No. |
|------------------|--------------------------|------------|
| Guide plate | FX2B(A)-GPA | 550-0212-6 |
| Connection press | Hi-Flex connection press | 550-0082-2 |

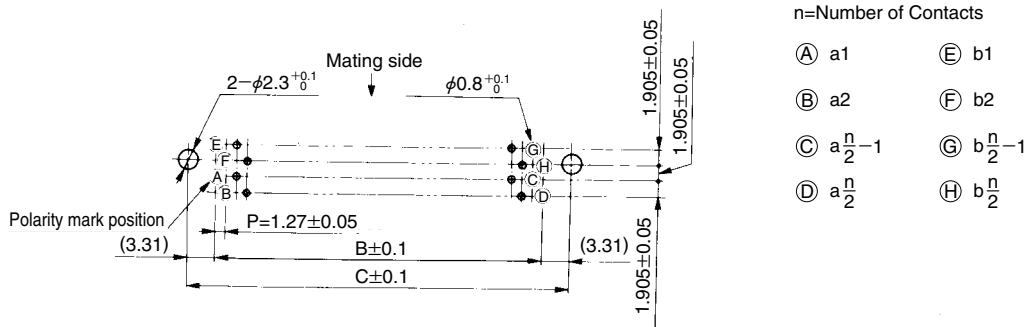
Note : HIF6 cable cutter FC601 isn't required for FX2B(A) cable assembly. (Connected without convex-concave cutting.)

Header

Right Angle Type with Lock



PCB mounting pattern

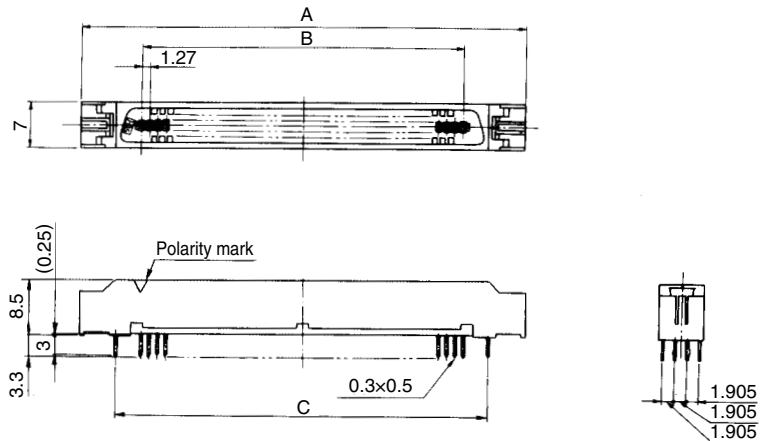
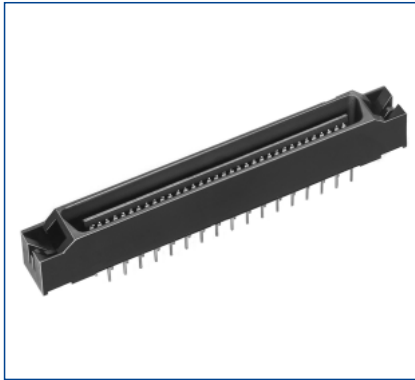


Unit : mm

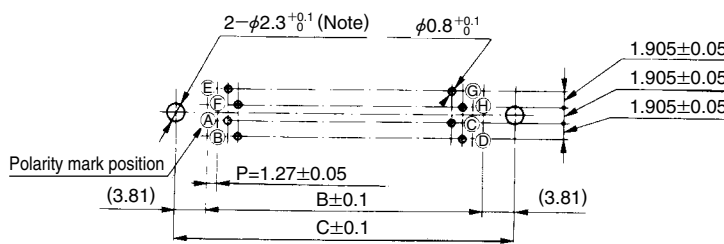
| Part No. | HRS No. | No. of Contacts | A | B | C | RoHS |
|------------------------|---------------|-----------------|-------|-------|-------|------|
| FX2B-20PA-1.27DS(71) | 572-0721-7 71 | 20 | 30.33 | 11.43 | 18.05 | Yes |
| FX2B-20PA-1.27DSL(71) | 572-0771-5 71 | | | | | |
| FX2B-32PA-1.27DS(71) | 572-0722-0 71 | 32 | 37.95 | 19.05 | 25.67 | |
| FX2B-32PA-1.27DSL(71) | 572-0772-8 71 | | | | | |
| FX2B-40PA-1.27DS(71) | 572-0723-2 71 | 40 | 43.03 | 24.13 | 30.75 | |
| FX2B-40PA-1.27DSL(71) | 572-0773-0 71 | | | | | |
| FX2B-52PA-1.27DS(71) | 572-0724-5 71 | 52 | 50.65 | 31.75 | 38.37 | |
| FX2B-52PA-1.27DSL(71) | 572-0774-3 71 | | | | | |
| FX2B-60PA-1.27DS(71) | 572-0725-8 71 | 60 | 55.73 | 36.83 | 43.45 | |
| FX2B-60PA-1.27DSL(71) | 572-0775-6 71 | | | | | |
| FX2B-68PA-1.27DS(71) | 572-0726-0 71 | 68 | 60.81 | 41.91 | 48.53 | |
| FX2B-68PA-1.27DSL(71) | 572-0776-9 71 | | | | | |
| FX2B-80PA-1.27DS(71) | 572-0727-3 71 | 80 | 68.43 | 49.53 | 56.15 | |
| FX2B-80PA-1.27DSL(71) | 572-0777-1 71 | | | | | |
| FX2B-100PA-1.27DS(71) | 572-0728-6 71 | 100 | 81.13 | 62.23 | 68.85 | |
| FX2B-100PA-1.27DSL(71) | 572-0778-4 71 | | | | | |

Header No Cleaning Type

Straight Type with Lock



PCB mounting pattern



n=Number of Contacts

- Ⓐ a1 Ⓔ b1
- Ⓑ a2 Ⓕ b2
- Ⓒ $a \frac{n}{2} - 1$ Ⓖ $b \frac{n}{2} - 1$
- Ⓓ $a \frac{n}{2}$ Ⓗ $b \frac{n}{2}$

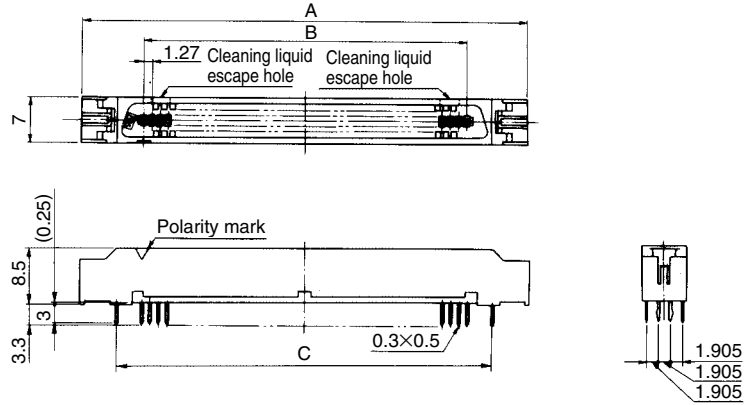
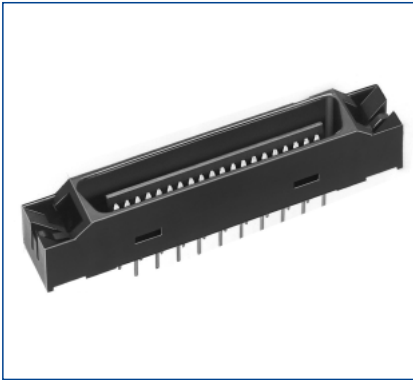
Note : Not required, unless the prefixed pin is attached.

Unit : mm

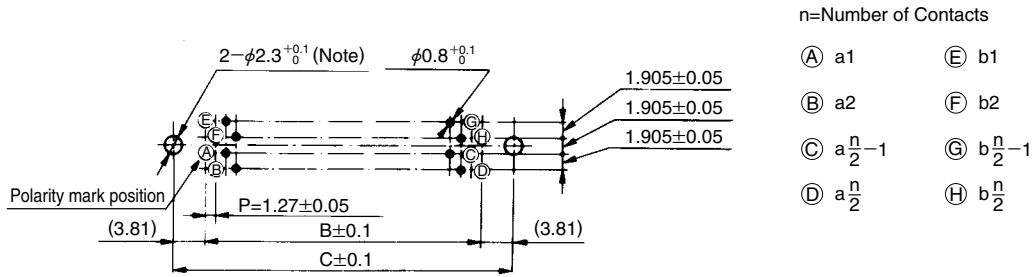
| Part No. | HRS No. | No. of Contacts | A | B | C | RoHS |
|-------------------------|---------------|-----------------|-------|-------|-------|------|
| FX2B-20P-1.27DSA(71) | 572-0801-4 71 | 20 | 30.33 | 11.43 | _____ | Yes |
| FX2B-20P-1.27DSAL(71) | 572-0851-2 71 | | | | 19.05 | |
| FX2B-32P-1.27DSA(71) | 572-0802-7 71 | 32 | 37.95 | 19.05 | _____ | |
| FX2B-32P-1.27DSAL(71) | 572-0852-5 71 | | | | 26.67 | |
| FX2B-40PA-1.27DSA(71) | 572-0823-7 71 | 40 | 43.03 | 24.13 | _____ | |
| FX2B-40PA-1.27DSAL(71) | 572-0873-5 71 | | | | 31.75 | |
| FX2B-52PA-1.27DSA(71) | 572-0824-0 71 | 52 | 50.65 | 31.75 | _____ | |
| FX2B-52PA-1.27DSAL(71) | 572-0874-8 71 | | | | 39.37 | |
| FX2B-60PA-1.27DSA(71) | 572-0825-2 71 | 60 | 55.73 | 36.83 | _____ | |
| FX2B-60PA-1.27DSAL(71) | 572-0875-0 71 | | | | 44.45 | |
| FX2B-68PA-1.27DSA(71) | 572-0826-5 71 | 68 | 60.81 | 41.91 | _____ | |
| FX2B-68PA-1.27DSAL(71) | 572-0876-3 71 | | | | 49.53 | |
| FX2B-80PA-1.27DSA(71) | 572-0827-8 71 | 80 | 68.43 | 49.53 | _____ | |
| FX2B-80PA-1.27DSAL(71) | 572-0877-6 71 | | | | 57.15 | |
| FX2B-100PA-1.27DSA(71) | 572-0828-0 71 | 100 | 81.13 | 62.23 | _____ | |
| FX2B-100PA-1.27DSAL(71) | 572-0878-9 71 | | | | 69.85 | |

Header Cleaning Type

● Straight Type with Lock



PCB mounting pattern

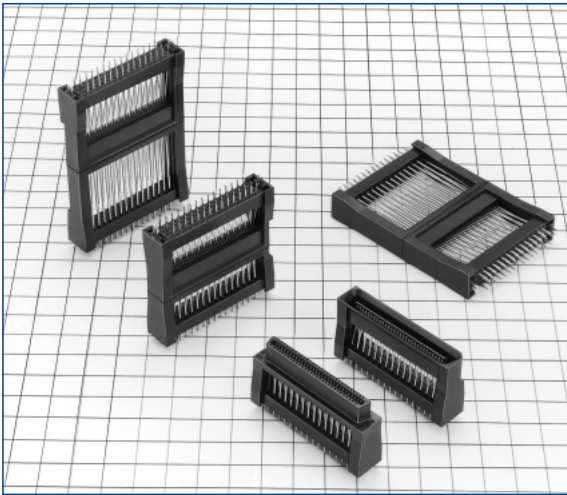


Note : Not required, unless the prefixed pin is attached.

Unit : mm

| Part No. | HRS No. | No. of Contacts | A | B | C | RoHS |
|--------------------------|---------------|-----------------|-------|-------|-------|------|
| FX2BA-20P-1.27DSA(71) | 572-0901-9 71 | 20 | 30.33 | 11.43 | _____ | Yes |
| FX2BA-20P-1.27DSAL(71) | 572-0951-7 71 | | | | 19.05 | |
| FX2BA-32P-1.27DSA(71) | 572-0902-1 71 | 32 | 37.95 | 19.05 | _____ | |
| FX2BA-32P-1.27DSAL(71) | 572-0952-0 71 | | | | 26.67 | |
| FX2BA-40PA-1.27DSA(71) | 572-0923-1 71 | 40 | 43.03 | 24.13 | _____ | |
| FX2BA-40PA-1.27DSAL(71) | 572-0973-0 71 | | | | 31.75 | |
| FX2BA-52PA-1.27DSA(71) | 572-0924-4 71 | 52 | 50.65 | 31.75 | _____ | |
| FX2BA-52PA-1.27DSAL(71) | 572-0974-2 71 | | | | 39.37 | |
| FX2BA-60PA-1.27DSA(71) | 572-0925-7 71 | 60 | 55.73 | 36.83 | _____ | |
| FX2BA-60PA-1.27DSAL(71) | 572-0975-5 71 | | | | 44.45 | |
| FX2BA-68PA-1.27DSA(71) | 572-0926-0 71 | 68 | 60.81 | 41.91 | _____ | |
| FX2BA-68PA-1.27DSAL(71) | 572-0976-8 71 | | | | 49.53 | |
| FX2BA-80PA-1.27DSA(71) | 572-0927-2 71 | 80 | 68.43 | 49.53 | _____ | |
| FX2BA-80PA-1.27DSAL(71) | 572-0977-0 71 | | | | 57.15 | |
| FX2BA-100PA-1.27DSA(71) | 572-0928-5 71 | 100 | 81.13 | 62.23 | _____ | |
| FX2BA-100PA-1.27DSAL(71) | 572-0978-3 71 | | | | 69.85 | |

FX2M6 Series



Product Number Structure

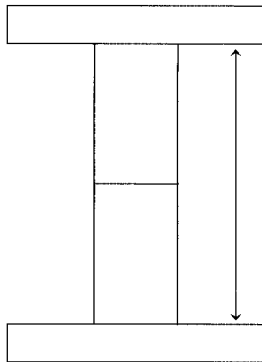
Board to Board Receptacle

FX2M6 **A** - **60** **P** - **1.27** **DSA** **L**

① ② ③ ④ ⑤ ⑥ ⑦

| |
|---|
| ① Series Name : FX2M6 |
| ② Type No. : A |
| ③ Number of contacts : 60 |
| ④ Contact Style P : Header S : Receptacle |
| ⑤ Contact pitch : 1.27mm |
| ⑥ DSA : Straight type |
| ⑦ L : Board prefixed pin |

Stacking Variation



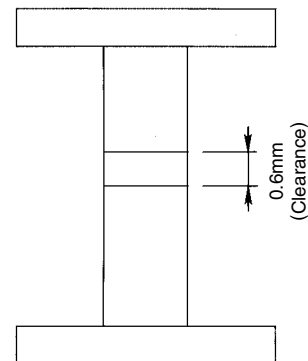
Unit : mm

| Receptacle \ Header | FX2C-60S -1.27DSA | FX2C2-60S -1.27DSA | FX2M6B-60S -1.27DSAL | FX2M6A-60S -1.27DSAL |
|-------------------------|----------------------|-----------------------|-------------------------|-------------------------|
| FX2C-60P -1.27DSA | 12 | 14 | 28.2 | 44.2 |
| FX2C1-60P -1.27DSA | 13 | 15 | 29.2 *2 | 45.2 *2 |
| FX2C2-60P -1.27DSA | 14 | 16 | 30.2 *2 | 46.2 *2 |
| FX2M6B-60P -1.27DSAL | 28.4 *1 | 30.4 *1 | 44 | 60 |
| FX2M6A-60P -1.27DSAL | 34.4 *1 | 36.4 *1 | 50 | 66 |

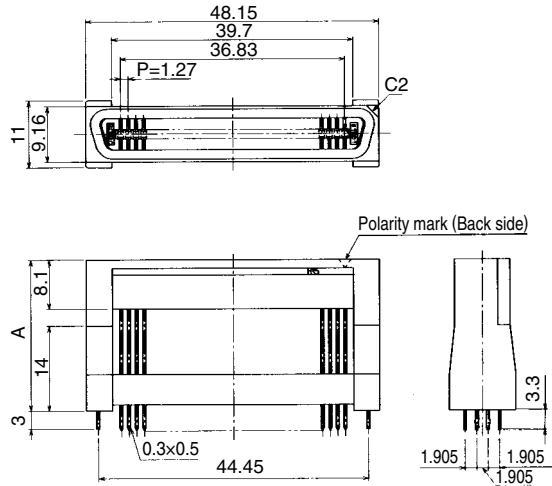
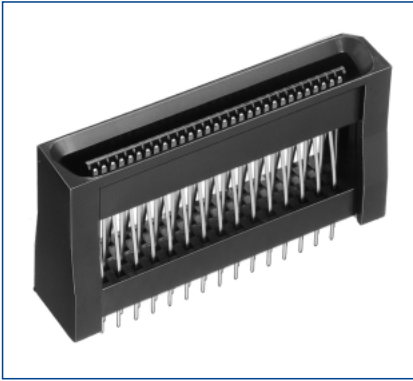
Note 1 : The permissible gap when male and female connectors are mated together shall be within 1.0 mm.
However, the gap shall be within 0.4 mm for the assemblies indicated with "*1."

Note 2 : For the assemblies indicated with "*2," there may be a gap of 0.6 mm created between the mating surfaces as shown in the figure below but it is acceptable for use.

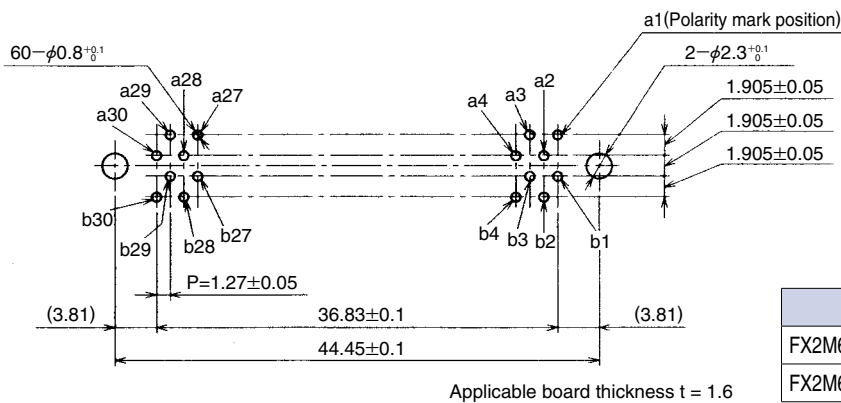
Note 3 : Please be sure to secure the PCB with screws after mounted.



Header



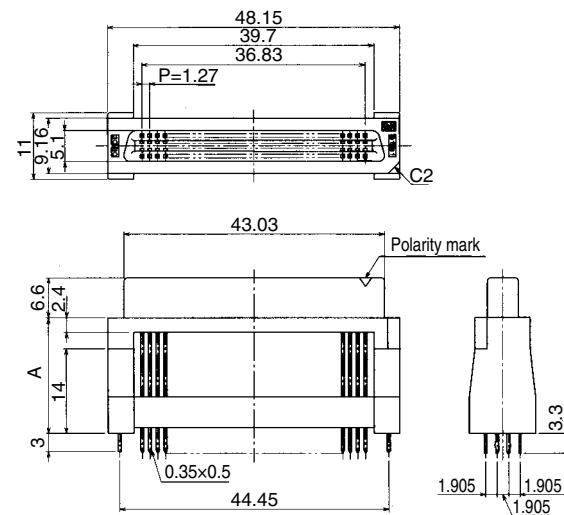
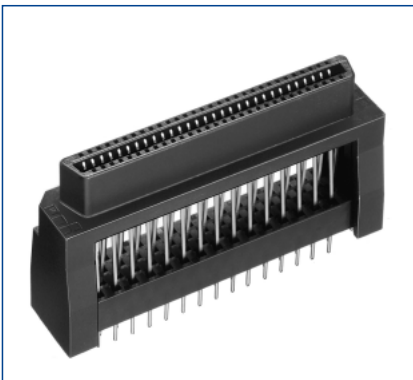
PCB mounting pattern



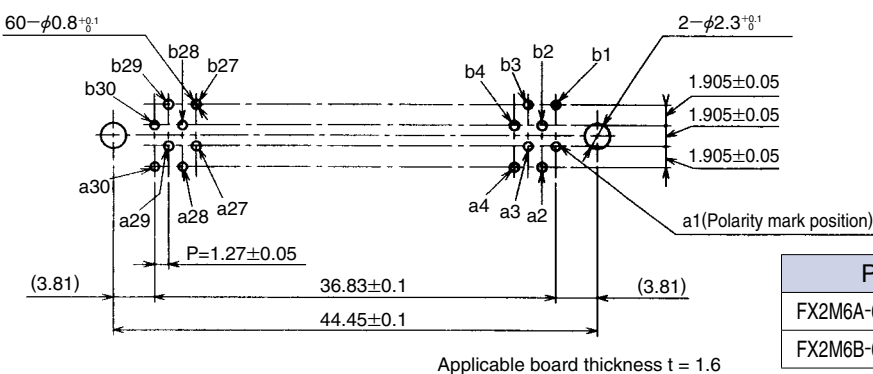
Unit : mm

| Part No. | HRS No. | A | RoHS |
|-------------------------|---------------|------|------|
| FX2M6A-60P-1.27DSAL(71) | 572-1036-8 71 | 30.9 | Yes |
| FX2M6B-60P-1.27DSAL(71) | 572-1041-8 71 | 24.9 | |

Receptacle



PCB mounting pattern

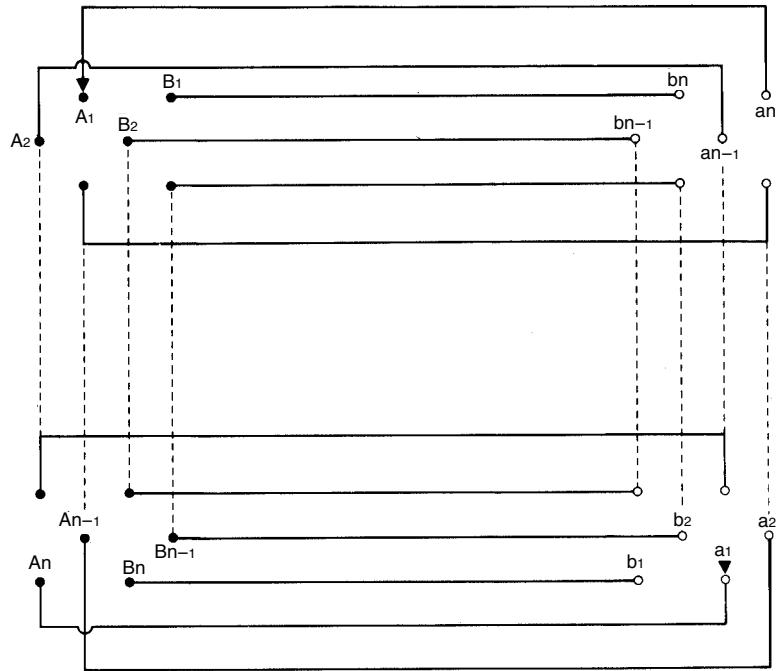
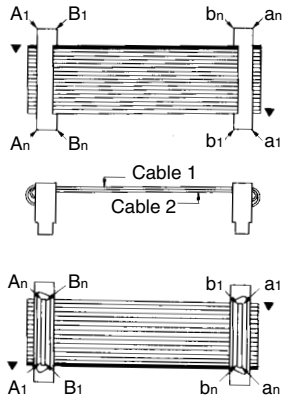


Unit : mm

| Part No. | HRS No. | A | RoHS |
|-------------------------|---------------|------|------|
| FX2M6A-60S-1.27DSAL(71) | 572-1037-0 71 | 35.1 | Yes |
| FX2M6B-60S-1.27DSAL(71) | 572-1042-0 71 | 19.1 | |

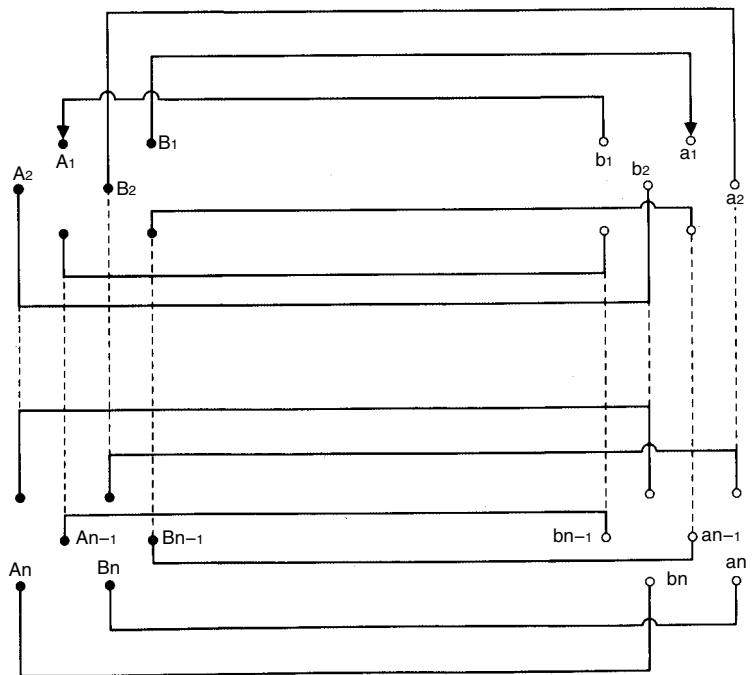
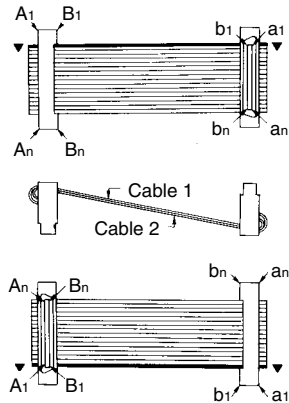
◆ Recommended Circuit Design $n = \frac{\text{Number of Contacts}}{2}$

Type A, B



| Cable 1 connection | Cable 2 connection |
|--------------------|--------------------|
| A1 — an | B1 — bn |
| A2 — an-1 | B2 — bn-1 |
| ⋮ | ⋮ |
| An — a1 | Bn — b1 |

Type A, A



| Cable 1 connection | Cable 2 connection |
|--------------------|--------------------|
| A1 — b1 | B1 — a1 |
| A2 — b2 | B2 — a2 |
| ⋮ | ⋮ |
| An — bn | Bn — an |

May.1.2016 Copyright 2016 HIROSE ELECTRIC CO., LTD. All Rights Reserved.

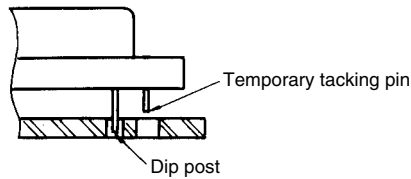
◆ How to use the connector

1. Selection of connectors

- ① FX2 Series connectors are designed to prevent flux creep-up in the soldering operation of straight type products, and the user needs to select from either non-cleaning types (FX2C-* and FX2B-*) or cleaning types (FX2CA-* and FX2BA-*). Please make sure to clean the right-angle types (FX2-* and FX2B-*). When cleaning them, be sure to use clean liquids.
- ② When using a socket cable type, the user needs to select a locked type if a load is applied on vibration/impact, or the cable. Additionally, please be sure to use cabler clamps when a load is applied on the cable.

2. The process of temporary tacking on the PCB

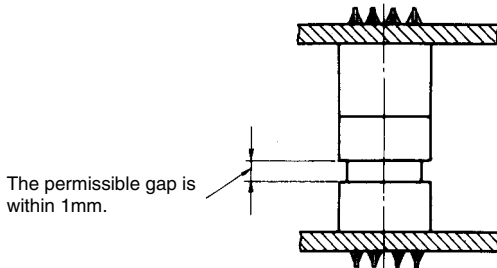
Please use the types equipped with temporary tacking pins when a temporary tacking process is required for mounting on the PCB. (Qualified thickness of the PCB : $t=1.6\pm 0.1$)



(Precaution) : In order to prevent damage to the dip post when it is mounted on the PCB, conduct the inserting operation while keeping the PCB and the connectors parallel to one another while the temporary tacking pin is pushed in after the dip post has been guided into the through hole of the PCB.

3. Mating Side Tolerance Clearance

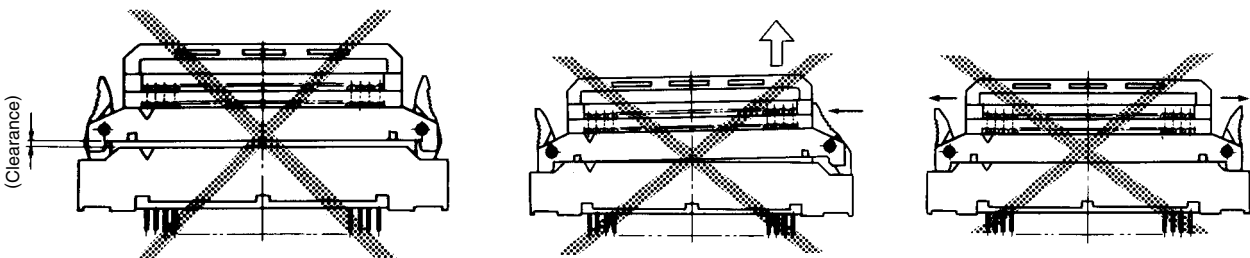
(Example) In the case of FX2C- \overline{DP} -1.27DSA and FX2C- \overline{DS} -1.27DSA*P-1.27DSA and FX2C-*S-1.27DSA



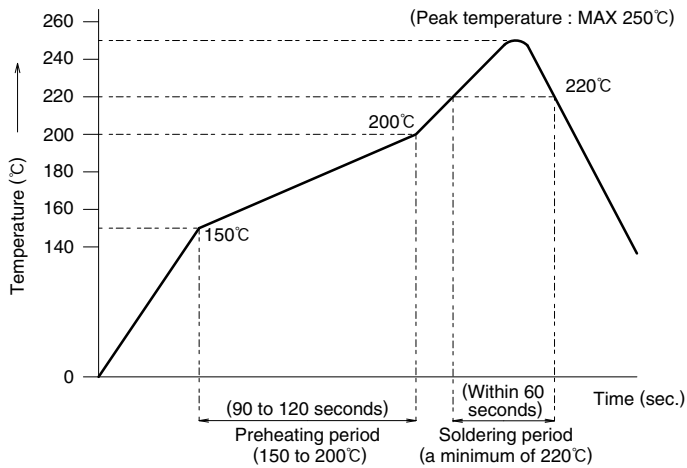
The permissible gap when a male and a female connectors are mated together shall be within 1 mm. (excluding locked cable types)

4. Indtructions for using locked cable types

- ① When mating connectors, please insert them to the end so that there is no gap in-between.
- ② When pulling out a connector, please be sure to pull it out after turning in the lock levers on both sides. If you pull out the connector while turning in only the lever on one side, the connector could be damaged.
- ③ Please make sure that the lock lever will not be open to the outside.



5. Temperature profile for mounting SMT type connectors (reference)



<Applicable conditions>

Reflow method : Reflow together with far infrared ray and hot air (SENSBEY NR-II)

Environment in the reflow furnace : Ambient air

Solder : Cream type (Sn-3Ag-0.5Cu)
(Flux contained amount: 11 Wt%)
(M705-221CM5-42-10.5 manufactured by Senju Metal Industry Co., Ltd.)

PCB : Size 110 x 40 x 1.6 mm
Material: Glass epoxy

Metal mask thickness : 0.2 mm (straight type)
0.15 mm (right-angled type)

Note 1 : This temperature profile shows recommended values. Temperature should be measured on the top of the connector.

Note 2 : The number of reflow processes should be twice or less.

Note 3 : Impacts due to the type and manufacture of solder cream, PCB size, and other mounting materials, etc, may differ depending on the conditions. Please be sure to confirm the mounting conditions before use.

* When using a 0.15 mm metal mask for the straight type connectors, please contact our technology center for recommended apertures.

6. Dimensions between the PCBs for SMT type connectors

The gap between the PCBs for male and female connectors shown in the applications does not include the solder cream thickness. Therefore, please take into account the thickness of the solder cream so that it is added to the gap between the PCBs after mounting the connectors.

USA:

HIROSE ELECTRIC (U.S.A.), INC. HEADQUARTERS
2688 Westhills Court, Simi Valley, CA 93065-6235
Phone : +1-805-522-7958
Fax : +1-805-522-3217
<http://www.hirose.com/us/>

USA:

HIROSE ELECTRIC (U.S.A.), INC. SAN JOSE OFFICE
3255 Scott Boulevard, Building 7, Suite 101
Santa Clara, CA 95054
Phone : +1-408-253-9640
Fax : +1-408-253-9641
<http://www.hirose.com/us/>

USA:

HIROSE ELECTRIC (U.S.A.), INC. CHICAGO OFFICE
580 Waters Edge Lane, Suite 205 Lombard IL
60148
Phone : +1-630-282-6701
Mail : inquiries@hirose.com
<http://www.hirose.com/us/>

USA:

HIROSE ELECTRIC (U.S.A.), INC. DETROIT OFFICE (AUTOMOTIVE)
17197 N. Laurel Park Drive, Suite 253, Livonia,
MI 48152
Phone : +1-734-542-9963
Fax : +1-734-542-9964
<http://www.hirose.com/us/>

THE NETHERLANDS:

HIROSE ELECTRIC EUROPE B.V.
Hogehillweg #8 1101 CC Amsterdam Z-0
Phone : +31-20-6557460
Fax : +31-20-6557469
<http://www.hirose.com/eu/>

GERMANY:

HIROSE ELECTRIC EUROPE B.V. GERMAN BRANCH
Herzog-Carl-Strasse 4 D-73760 Ostfildern
(Scharnhäuser Park)
Phone : +49-711-4560-02-1
Fax : +49-711-4560-02-299
<http://www.hirose.com/eu/>

GERMANY:

HIROSE ELECTRIC EUROPE B.V. NUERNBERG OFFICE
Muggenhofer Str. 136 90429 Nuernberg
Phone : +49-911 32 68 89 63
Fax : +49-911 32 68 89 69
<http://www.hirose.com/eu/>

GERMANY:

HIROSE ELECTRIC EUROPE B.V. HANOVER OFFICE
Bayernstr. 3, Haus C 30855 Langenhagen, Germany
Phone : +49-511 97 82 61 30
Fax : +49-511 97 82 61 35
<http://www.hirose.com/eu/>

FRANCE:

HIROSE ELECTRIC EUROPE B.V. PARIS OFFICE
Regus La Garenne Colombes, Place de La Belgique,
71 Boulevard National La Garenne Colombes, 92250, France
Phone : +33 (0) 1 7082 3170
Fax : +33 (1) 7082 3101
<http://www.hirose.com/eu/>

UNITED KINGDOM:

HIROSE ELECTRIC EUROPE BV (UK BRANCH)
4 Newton Court, Kelvin Drive, Knowlhill,
Milton Keynes, MK5 8NH
Phone : +44-1908 202050
Fax : +44-1908 202058
<http://www.hirose.com/eu/>

CHINA:

HIROSE ELECTRIC (SHANGHAI) CO., LTD.
1601, Henderson Metropolitan, NO.300, East Nanjing
Road, Huangpu District, Shanghai, China 200001
Phone : +86-21-6391-3355
Fax : +86-21-6391-3335
<http://www.hirose.com/cn/>

CHINA:

HIROSE ELECTRIC (SHANGHAI) CO.,LTD. BEIJING BRANCH
A1001, Ocean International Center, Building 56# East 4th
Ring Middle Road, ChaoYang District, Beijing, 100025
Phone : +86-10-5165-9332
Fax : +86-10-5908-1381
<http://www.hirose.com/cn/>

CHINA:

HIROSE ELECTRIC TECHNOLOGIES (SHENZHEN) CO., LTD.
Room 09-13, 19/F, Office Tower Shun Hing Square, Di Wang Commercial Centre,
5002 Shen Nan Dong Road, Shenzhen City, Guangdong Province, 518008
Phone : +86-755-8207-0851
Fax : +86-755-8207-0873
<http://www.hirose.com/cn/>

HONG KONG:

HIROSE ELECTRIC HONGKONG TRADING CO., LTD.
Room 1001, West Wing, Tsim Sha Tsui Centre, 66
Mody Road, Tsim Sha Tsui East, Kowloon, Hong Kong
Phone : +852-2803-5338
Fax : +852-2591-6560
<http://www.hirose.com/hk/>

TAIWAN:

HIROSE ELECTRIC TAIWAN CO., LTD.
103 8F, No.87, Zhengzhou Rd., Taipei
Phone : +886-2-2555-7377
Fax : +886-2-2555-7350
<http://www.hirose.com/tw/>

KOREA:

HIROSE KOREA CO., LTD.
250, Huimanggongwon-ro, Siheung-si,
Gyeonggi-do, Korea, 429-849
Phone : +82-31-496-7000,7124
Fax : +82-31-496-7100
<http://www.hirose.co.kr/>

SINGAPORE:

HIROSE ELECTRIC SINGAPORE PTE. LTD.
10 Anson Road #26-16, International Plaza
079903, Singapore
Phone : +65-6324-6113
Fax : +65-6324-6123
<http://www.hirose.com/sg/>

INDIA:

HIROSE ELECTRIC SINGAPORE PTE. LTD. DELHI LIAISON OFFICE
Office NO.519, Regus-Green Boulevard, Level5, Tower C,
Sec62, Plot B-9A, Block B, Noida, 201301, Uttar Pradesh, India
Phone : +91-12-660-8018
Fax : +91-120-4804949
<http://www.hirose.com/sg/>

INDIA:

HIROSE ELECTRIC SINGAPORE PTE. LTD. BANGALORE LIAISON OFFICE
Unit No-403, 4th Floor, No-84, Barton Centre, Mahatma
Gandhi (MG) Road, Bangalore 560 001, Karnataka, India
Phone : +91-80-4120 1907
Fax : +91-80-4120 9908
<http://www.hirose.com/sg/>

MALAYSIA:

HIROSE ELECTRIC SINGAPORE PTE. LTD.
1-10-07, Suntech @ Penang Cybercity (1164), Lintang
Mayang Pasir 3,11950, Bayan Baru, Penang, Malaysia.
Phone : +604-619-2564
Fax : +604-619-2574
<http://www.hirose.com/sg/>

THAILAND:

HIROSE ELECTRIC SINGAPORE PTE. LTD. BANGKOK OFFICE (REPRESENTATIVE OFFICE)
Unit 4703, 47th FL., 1 Empire Tower, South Sathorn
Road, Yannawa, Sathorn, Bangkok 10120 Thailand
Phone : +66-2-686-1255
Fax : +66-2-686-3433
<http://www.hirose.com/sg/>



HIROSE ELECTRIC CO.,LTD.

2-6-3,Nakagawa Chuoh,Tsuzuki-Ku,Yokohama-Shi 224-8540,JAPAN
TEL: +81-45-620-3526 Fax: +81-45-591-3726
<http://www.hirose.com>
<http://www.hirose-connectors.com>