

# SUMICON 1600 SERIES RECTANGULAR CONNECTORS

The SUMICON 1600 series are multi-contact connectors designed by Hirose. 8, 12, 16, 20, 24, 28, 34, 45 and 60-contact models available (same as the 1300 series). The connector units are available in three types: soldering, wrapping, and crimping. Accessories

are C case, CA case, CBA case, ST stopper, STA stopper, and STB stopper. By combining the many options noted above, the SUMICON 1600 series connectors meet a wide variety applications.

## Standard Type

### General

In the SUMICON 1600 series, the connector unit is completely separated from the accessories such as the cases and stoppers to diversify the specifications and

facilitate wiring connection. The SUMICON 1600 series are specified in the NTT specifications No.1931.

### Electrical Characteristics

| Item                  | Standard               |
|-----------------------|------------------------|
| Contact Resistance    | 7mΩ max. at DC 1A      |
| Insulation Resistance | 1000MΩ min. at DC 500V |
| Withstand Voltage     | AC 1000V for 1 minute  |
| Current Rating        | 3A                     |
| Voltage Rating        | 300V AC                |

### Material and Finish

| Part            | Material                            | Finish                                       |
|-----------------|-------------------------------------|--|
| Insulator       | Glass filled diallylphthalate resin | Blue   |
| Male Terminal   | Brass                               | Type A: Silver-plated<br>Type G: Gold-plated |
| Female Terminal | Phosphor bronze                     |  |
| Plug Case       | ABS resin (black)                   | NTT spec: ABS resin, 2.5PB 6.0/2.0 (color)   |
| Stopper Bracket | Steel                               | Nickel plating                               |

### Wire Wrapping Specifications

| Applicable wire                  | AWG                    | 26               | 28               | 30               |
|----------------------------------|------------------------|------------------|------------------|------------------|
|                                  | Applicable wire (mm)   | 0.41             | 0.32             | 0.26             |
|                                  | Max. coating O.D. (mm) | 0.95             | 0.75             | 0.6              |
| Wrapping method                  | Ordinary wrapping      | Coating one wrap | Coating one wrap | Coating one wrap |
| Effective number of wrappings    | about 8                | about 8          | about 8          | about 9          |
| Number of wrappings per terminal | 2 wrap                 |                  |                  |                  |

### Ordering Information

P
W
—
16
34
□
A
—
C
□
( )

(1)
(2)
(3)
(4)
(5)
(6)
(7)
(8)
(9)

(1) Shape of terminal opening

P: Male terminal  
S: Female terminal

(2) Terminal connection method

No sign: Soldering  
W: Wrapping C: Crimp

(3) Series No.

16: 1600 series

(4) Number of contacts 34: 34 contacts

(5) Serial sign for connector units

Provided with a sequence of upper-case alphabetic characters.

No sign or sign other than W: Soldering

Sequence: No sign, B, C, D, E ...

(6) Plating

A: Silver-plated  
G: Gold-plated

(7) Signs for accessories

C: Plug case

ST: Stopper bracket with horizontal cable inlet opening

J: Jack Case

H: Handle

DB: Deep bracket

(8) Serial signs for accessories

Each accessory (C, ST, J, H, DB) is provided with sequence of upper-case alphabetic characters.

Sequence: No sign, A, B, C...

Accessories, C, ST, or J followed by no sign: Side lock types

Accessories, C and ST followed by A: Top touch lock type

Note: The space for no sign is filled sequentially.

(9) Special specification, ( ) is filled with a serial number, except for the case and bracket, for which the following apply.

(51): Bracket only

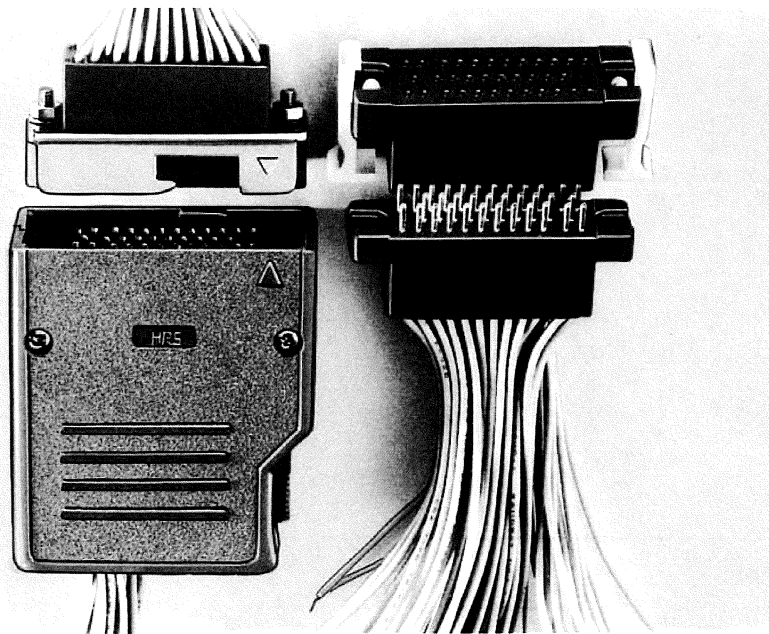
(50): Case only

The product information in this catalog is for reference only. Please request the Engineering Drawing for the most current and accurate design information.  
 All non-RoHS products have been discontinued, or will be discontinued soon. Please check the products status on the Hirose website RoHS search at [www.hirose-connectors.com](http://www.hirose-connectors.com), or contact your Hirose sales representative.

## Cross Reference to NTT No.

| Type           | NTT No.        | Short Form      | HRS No.         | Part No.          | Type          | NTT No.         | Short Form        | HRS No.           | Part No.           |
|----------------|----------------|-----------------|-----------------|-------------------|---------------|-----------------|-------------------|-------------------|--------------------|
| Plug           | CN-3320GLWPMSA | 20GLWPMSA       | CL216-0247-5-51 | P-1620BA-CA (51)  | Receptacle    | CN-5445GJMSA    | 45GJMSA           | CL216-0257-9-51   | P-1645BA-STA (51)  |
|                | CN-4028GLWPMSA | 28GLWPMSA       | CL216-0249-0-51 | P-1628BA-CA (51)  |               | CN-6760GJMSA    | 60GJMSA           | CL216-0258-1-51   | P-1660BA-STA (51)  |
|                | CN-4534GLWPMSA | 34GLWPMSA       | CL216-0250-0-51 | P-1634BA-CA (51)  |               | CN-3320G2JMSA   | 20G2JMSA          | CL216-0292-0-51   | PW-1620BA-STA (51) |
|                | CN-5445GLWPMSA | 45GLWPMSA       | CL216-0251-2-51 | P-1645BA-CA (51)  |               | CN-3724G2JMSA   | 24G2JMSA          | CL216-0293-2-51   | PW-1624BA-STA (51) |
|                | CN-6760GLWPMSA | 60GLWPMSA       | CL216-0252-5-51 | P-1660BA-CA (51)  |               | CN-4028G2JMSA   | 28G2JMSA          | CL216-0294-5-51   | PW-1628BA-STA (51) |
|                | CN-3320GLWPFSA | 20GLWPFSA       | CL216-0153-3-51 | P-1620A-CA (51)   |               | CN-4534G2JMSA   | 34G2JMSA          | CL216-0296-0-51   | PW-1634BA-STA (51) |
|                | CN-3724GLWPFSA | 24GLWPFSA       | CL216-0154-6-51 | P-1624A-CA (51)   |               | CN-6760G2JMSA   | 60G2JMSA          | CL216-0298-6-51   | PW-1660BA-STA (51) |
|                | CN-4028GLWPFSA | 28GLWPFSA       | CL216-0155-9-51 | P-1628A-CA (51)   |               | CN-3320GJFSA    | 20GJFSA           | CL216-0151-8-51   | S-1620A-STA (51)   |
|                | CN-4534GLWPFSA | 34GLWPFSA       | CL216-0126-0-51 | P-1634A-CA (51)   |               | CN-3724GJFSA    | 24GJFSA           | CL216-0148-3-51   | S-1624A-STA (51)   |
|                | CN-5445GLWPFSA | 45GLWPFSA       | CL216-0127-3-51 | P-1645A-CA (51)   |               | CN-4028GJFSA    | 28GJFSA           | CL216-0152-0-51   | S-1628A-STA (51)   |
| CN-6760GLWPFSA | 60GLWPFSA      | CL216-0128-6-51 | P-1660A-CA (51) | CN-4028G2JFSA     | 28G2JFSA      | CL216-0313-8-51 | SW-1628A-STA (51) |                   |                    |
| Receptacle     | CN-3724GJMSA   | 24GJMSA         | CL216-0254-0-51 | P-1624BA-STA (51) | CN-4534G2JFSA | 34G2JFSA        | CL216-0299-9-51   | SW-1634A-STA (51) |                    |
|                | CN-4028GJMSA   | 28GJMSA         | CL216-0255-3-51 | P-1628BA-STA (51) | CN-5445G2JFSA | 45G2JFSA        | CL216-0300-6-51   | SW-1645A-STA (51) |                    |
|                | CN-4534GJMSA   | 34GJMSA         | CL216-0256-6-51 | P-1634BA-STA (51) | CN-6760G2JFSA | 60G2JFSA        | CL216-0301-9-51   | SW-1660A-STA (51) |                    |

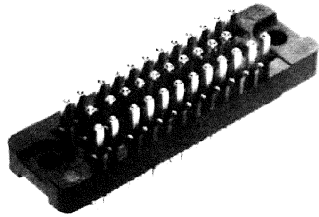
Note: NTT Types are all assembled with connector inserts and plug shells or stopper brackets.



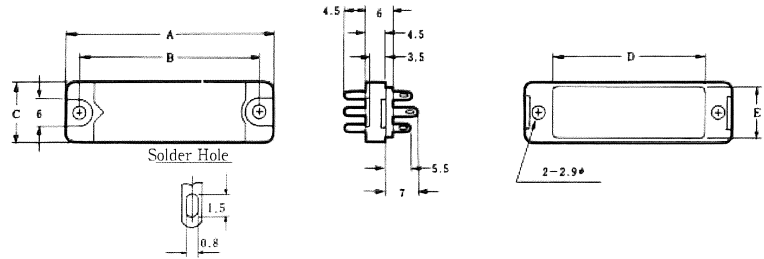
The product information in this catalog is for reference only. Please request the Engineering Drawing for the most current and accurate design information.  
 All non-RoHS products have been discontinued, or will be discontinued soon. Please check the products status on the Hirose website RoHS search at [www.hirose-connectors.com](http://www.hirose-connectors.com), or contact your Hirose sales representative.

## Soldering Eyelet Pin Connector

### Male Connector



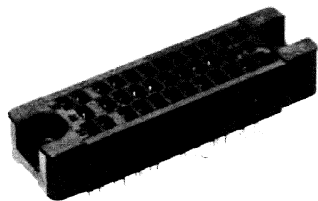
P-1634BA (09)



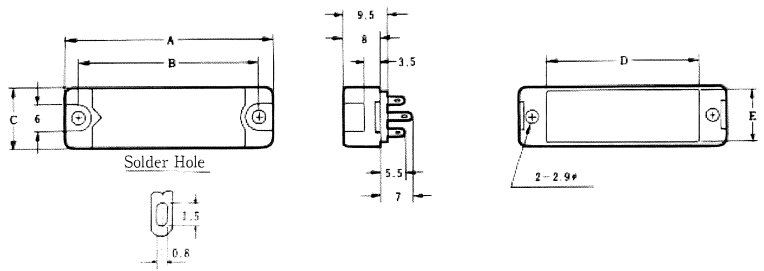
Unit: mm

| No. of Pin | A Type          |               | G Type          |               | A  | B  | C  | D  | E  | RoHS |
|------------|-----------------|---------------|-----------------|---------------|----|----|----|----|----|------|
|            | HRS No.         | Part No.      | HRS No.         | Part No.      |    |    |    |    |    |      |
| 8          | CL216-0171-5-09 | P-1608BA (09) | CL216-0180-6-09 | P-1608BG (09) | 25 | 19 | 10 | 13 | 8  |      |
| 12         | CL216-0172-8-09 | P-1612BA (09) | CL216-0181-9-09 | P-1612BG (09) | 30 | 24 | 10 | 18 | 8  |      |
| 16         | CL216-0173-0-09 | P-1616BA (09) | CL216-0182-1-09 | P-1616BG (09) | 35 | 29 | 10 | 23 | 8  |      |
| 20         | CL216-0174-3-09 | P-1620BA (09) | CL216-0183-4-09 | P-1620BG (09) | 33 | 27 | 13 | 21 | 11 |      |
| 24         | CL216-0175-6-09 | P-1624BA (09) | CL216-0184-7-09 | P-1624BG (09) | 37 | 31 | 13 | 25 | 11 | YES  |
| 28         | CL216-0176-9-09 | P-1628BA (09) | CL216-0185-0-09 | P-1628BG (09) | 40 | 34 | 13 | 28 | 11 |      |
| 34         | CL216-0177-1-09 | P-1634BA (09) | CL216-0186-2-09 | P-1634BG (09) | 45 | 39 | 13 | 33 | 11 |      |
| 45         | CL216-0178-4-09 | P-1645BA (09) | CL216-0187-5-09 | P-1645BG (09) | 54 | 48 | 13 | 42 | 11 |      |
| 60         | CL216-0179-7-09 | P-1660BA (09) | CL216-0188-8-09 | P-1660BG (09) | 67 | 61 | 13 | 55 | 11 |      |

### Female Connector



S-1634A (09)



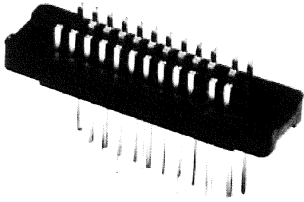
Unit: mm

| No. of Pin | A Type          |              | G Type          |              | A  | B  | C  | D  | E  | RoHS |
|------------|-----------------|--------------|-----------------|--------------|----|----|----|----|----|------|
|            | HRS No.         | Part No.     | HRS No.         | Part No.     |    |    |    |    |    |      |
| 8          | CL216-0001-5-09 | S-1608A (09) | CL216-0055-4-09 | S-1608G (09) | 25 | 19 | 10 | 13 | 8  |      |
| 12         | CL216-0002-8-09 | S-1612A (09) | CL216-0056-7-09 | S-1612G (09) | 30 | 24 | 10 | 18 | 8  |      |
| 16         | CL216-0003-0-09 | S-1616A (09) | CL216-0057-0-09 | S-1616G (09) | 35 | 29 | 10 | 23 | 8  |      |
| 20         | CL216-0004-3-09 | S-1620A (09) | CL216-0058-2-09 | S-1620G (09) | 33 | 27 | 13 | 21 | 11 |      |
| 24         | CL216-0005-6-09 | S-1624A (09) | CL216-0059-5-09 | S-1624G (09) | 37 | 31 | 13 | 25 | 11 | YES  |
| 28         | CL216-0006-9-09 | S-1628A (09) | CL216-0060-4-09 | S-1628G (09) | 40 | 34 | 13 | 28 | 11 |      |
| 34         | CL216-0007-1-09 | S-1634A (09) | CL216-0061-7-09 | S-1634G (09) | 45 | 39 | 13 | 33 | 11 |      |
| 45         | CL216-0008-4-09 | S-1645A (09) | CL216-0062-0-09 | S-1645G (09) | 54 | 48 | 13 | 42 | 11 |      |
| 60         | CL216-0009-7-09 | S-1660A (09) | CL216-0063-2-09 | S-1660G (09) | 67 | 61 | 13 | 55 | 11 |      |

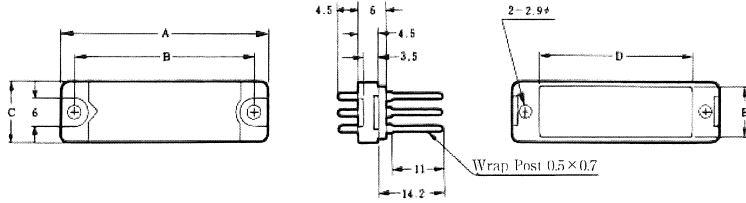
The product information in this catalog is for reference only. Please request the Engineering Drawing for the most current and accurate design information.  
 All non-RoHS products have been discontinued, or will be discontinued soon. Please check the products status on the Hirose website RoHS search at [www.hirose-connectors.com](http://www.hirose-connectors.com), or contact your Hirose sales representative.

# Wire Wrapping Pin Connector

## Male Connector



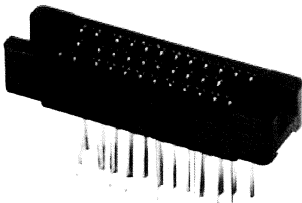
PW-1634BA (09)



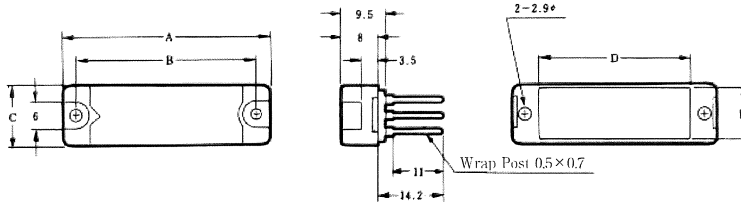
Unit: mm

| No. of Pin | A Type          |                | G Type          |                | A  | B  | C  | D  | E  | RoHS |
|------------|-----------------|----------------|-----------------|----------------|----|----|----|----|----|------|
|            | HRS No.         | Part No.       | HRS No.         | Part No.       |    |    |    |    |    |      |
| 8          | CL216-0198-1-09 | PW-1608BA (09) | CL216-0216-1-09 | PW-1608BG (09) | 25 | 19 | 10 | 13 | 8  | YES  |
| 12         | CL216-0199-4-09 | PW-1612BA (09) | CL216-0217-4-09 | PW-1612BG (09) | 30 | 24 | 10 | 18 | 8  |      |
| 16         | CL216-0200-1-09 | PW-1616BA (09) | CL216-0218-7-09 | PW-1616BG (09) | 35 | 29 | 10 | 23 | 8  |      |
| 20         | CL216-0201-4-09 | PW-1620BA (09) | CL216-0219-0-09 | PW-1620BG (09) | 33 | 27 | 13 | 21 | 11 |      |
| 24         | CL216-0202-7-09 | PW-1624BA (09) | CL216-0220-9-09 | PW-1624BG (09) | 37 | 31 | 13 | 25 | 11 |      |
| 28         | CL216-0203-0-09 | PW-1628BA (09) | CL216-0221-1-09 | PW-1628BG (09) | 40 | 34 | 13 | 28 | 11 |      |
| 34         | CL216-0204-2-09 | PW-1634BA (09) | CL216-0222-4-09 | PW-1634BG (09) | 45 | 39 | 13 | 33 | 11 |      |
| 45         | CL216-0205-5-09 | PW-1645BA (09) | CL216-0223-7-09 | PW-1645BG (09) | 54 | 48 | 13 | 42 | 11 |      |
| 60         | CL216-0206-8-09 | PW-1660BA (09) | CL216-0224-0-09 | PW-1660BG (09) | 67 | 61 | 13 | 55 | 11 |      |

## Female Connector



SW-1634A (09)



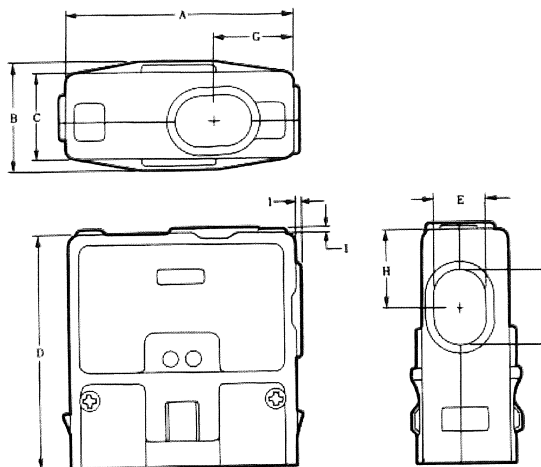
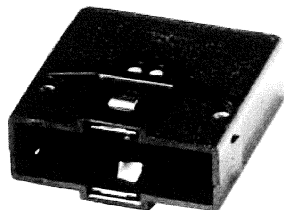
Unit: mm

| No. of Pin | A Type          |               | G Type          |               | A  | B  | C  | D  | E  | RoHS |
|------------|-----------------|---------------|-----------------|---------------|----|----|----|----|----|------|
|            | HRS No.         | Part No.      | HRS No.         | Part No.      |    |    |    |    |    |      |
| 8          | CL216-0189-0-09 | SW-1608A (09) | CL216-0207-0-09 | SW-1608G (09) | 25 | 19 | 10 | 13 | 8  | YES  |
| 12         | CL216-0190-0-09 | SW-1612A (09) | CL216-0208-3-09 | SW-1612G (09) | 30 | 24 | 10 | 18 | 8  |      |
| 16         | CL216-0191-2-09 | SW-1616A (09) | CL216-0209-6-09 | SW-1616G (09) | 35 | 29 | 10 | 23 | 8  |      |
| 20         | CL216-0192-5-09 | SW-1620A (09) | CL216-0210-5-09 | SW-1620G (09) | 33 | 27 | 13 | 21 | 11 |      |
| 24         | CL216-0193-8-09 | SW-1624A (09) | CL216-0211-8-09 | SW-1624G (09) | 37 | 31 | 13 | 25 | 11 |      |
| 28         | CL216-0194-0-09 | SW-1628A (09) | CL216-0212-0-09 | SW-1628G (09) | 40 | 34 | 13 | 28 | 11 |      |
| 34         | CL216-0195-3-09 | SW-1634A (09) | CL216-0213-3-09 | SW-1634G (09) | 45 | 39 | 13 | 33 | 11 |      |
| 45         | CL216-0196-6-09 | SW-1645A (09) | CL216-0214-6-09 | SW-1645G (09) | 54 | 48 | 13 | 42 | 11 |      |
| 60         | CL216-0197-9-09 | SW-1660A (09) | CL216-0215-9-09 | SW-1660G (09) | 67 | 61 | 13 | 55 | 11 |      |



The product information in this catalog is for reference only. Please request the Engineering Drawing for the most current and accurate design information.  
 All non-RoHS products have been discontinued, or will be discontinued soon. Please check the products status on the Hirose website. RoHS search at [www.hirose-connectors.com](http://www.hirose-connectors.com), or contact your Hirose sales representative.

## Side Touch Lock Type Plug Shell



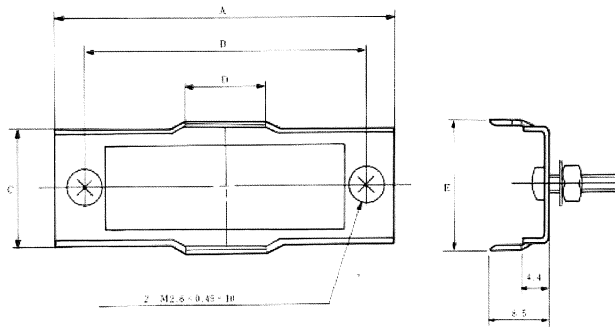
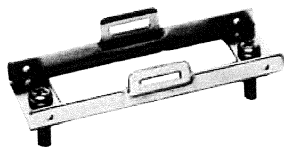
Unit: mm

| No. of Pin | HRS No.         | Part No.       | A  | B  | C    | D    | E   | F    | G    | H    | RoHS |
|------------|-----------------|----------------|----|----|------|------|-----|------|------|------|------|
| 8          | CL216-0028-1-50 | P-1608A-C (50) | 29 | 20 | 14.5 | 42   | 7.5 | 7.5  | 12.5 | 12.5 | YES  |
| 12         | CL216-0029-4-50 | P-1612A-C (50) | 34 | 20 | 14.5 | 43.5 | 7.5 | 9    | 13.5 | 13.5 |      |
| 16         | CL216-0030-3-50 | P-1616A-C (50) | 39 | 20 | 14.5 | 46   | 7.5 | 11.5 | 14.5 | 14.5 |      |
| 20         | CL216-0031-6-50 | P-1620A-C (50) | 37 | 23 | 17.5 | 45.5 | 11  | 11   | 14.5 | 14.5 |      |
| 24         | CL216-0032-9-50 | P-1624A-C (50) | 41 | 23 | 17.5 | 46.5 | 11  | 12   | 15   | 15   |      |
| 28         | CL216-0033-1-50 | P-1628A-C (50) | 44 | 23 | 17.5 | 47.5 | 11  | 13   | 15.5 | 15.5 |      |
| 34         | CL216-0034-4-50 | P-1634A-C (50) | 49 | 23 | 17.5 | 50.5 | 11  | 16   | 17   | 17   |      |
| 45         | CL216-0035-7-50 | P-1645A-C (50) | 58 | 23 | 17.5 | 54.5 | 11  | 19   | 18.5 | 19.5 |      |
| 60         | CL216-0036-0-50 | P-1660A-C (50) | 71 | 23 | 17.5 | 59.5 | 11  | 24   | 21   | 22   |      |

P-1634A-C (50)

Note: All these products are plug cases only. Order connector units separately.  
 The cases can be used for both male and female connector units. The cases marked with an asterisk are of standard specifications.

## Side Touch Lock Type Receptacle Bracket



Unit: mm

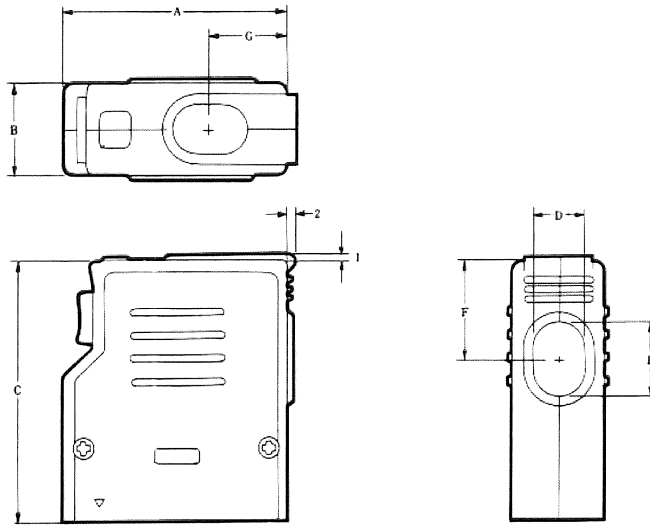
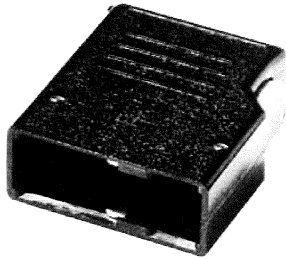
| No. of Pin | HRS No.         | Part No.        | A  | B  | C    | D   | E    | RoHS |
|------------|-----------------|-----------------|----|----|------|-----|------|------|
| 8          | CL216-0046-3-51 | P-1608A-ST (51) | 27 | 19 | 13.6 | 9.2 | 15.5 | YES  |
| 12         | CL216-0047-6-51 | P-1612A-ST (51) | 32 | 24 | 13.6 | 9.2 | 15.5 |      |
| 16         | CL216-0048-9-51 | P-1616A-ST (51) | 37 | 29 | 13.6 | 11  | 15.5 |      |
| 20         | CL216-0049-1-51 | P-1620A-ST (51) | 35 | 27 | 16.6 | 11  | 18.5 |      |
| 24         | CL216-0050-0-51 | P-1624A-ST (51) | 39 | 31 | 16.6 | 11  | 18.5 |      |
| 28         | CL216-0051-3-51 | P-1628A-ST (51) | 42 | 34 | 16.6 | 11  | 18.5 |      |
| 34         | CL216-0052-6-51 | P-1634A-ST (51) | 47 | 39 | 16.6 | 11  | 18.5 |      |
| 45         | CL216-0053-9-51 | P-1645A-ST (51) | 56 | 48 | 16.6 | 15  | 18.5 |      |
| 60         | CL216-0054-1-51 | P-1660A-ST (51) | 69 | 61 | 16.6 | 15  | 18.5 |      |

P-1634A-ST (51)

Note: All these products are stopper brackets only. Order connector units separately. The cases can be used for both male and female connector units. The brackets marked with an asterisk are of standard specifications.

The product information in this catalog is for reference only. Please request the Engineering Drawing for the most current and accurate design information.  
 All non-RoHS products have been discontinued, or will be discontinued soon. Please check the products status on the Hirose website RoHS search at [www.hirose-connectors.com](http://www.hirose-connectors.com), or contact your Hirose sales representative.

## Top Touch Lock Type Plug Shell



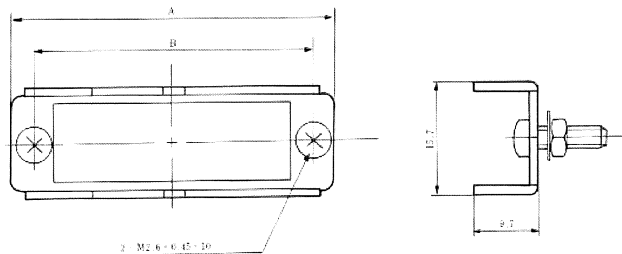
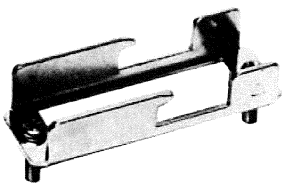
Unit: mm

| No. of Pin | HRS No.         | Part No.        | A  | B  | C  | D  | E  | E    | E    | RoHS |
|------------|-----------------|-----------------|----|----|----|----|----|------|------|------|
| 20         | CL216-0149-6-50 | P-1620A-CA (50) | 37 | 20 | 51 | 11 | 11 | 18   | 14.5 | YES  |
| 24         | CL216-0147-0-50 | P-1624A-CA (50) | 41 | 20 | 51 | 11 | 12 | 18.5 | 15   |      |
| 28         | CL216-0150-5-50 | P-1628A-CA (50) | 44 | 20 | 53 | 11 | 13 | 20   | 15.5 |      |
| 34         | CL216-0111-3-50 | P-1634A-CA (50) | 49 | 20 | 56 | 11 | 16 | 21.5 | 17   |      |
| 45         | CL216-0112-6-50 | P-1645A-CA (50) | 58 | 20 | 60 | 11 | 19 | 24   | 18.5 |      |
| 60         | CL216-0113-9-50 | P-1660A-CA (50) | 71 | 20 | 65 | 11 | 24 | 26.5 | 21   |      |

Note: All these products are plug cases only. Order connector units separately. The cases can be used for both male and female connector units. The cases marked with an asterisk are of standard specifications.

P-1634A-CA (50)

## Side Touch Lock Type Receptacle Bracket



Unit: mm

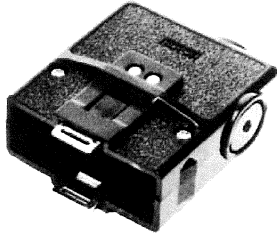
| No. of Pin | HRS No.         | Part No.         | A  | B  | RoHS |
|------------|-----------------|------------------|----|----|------|
| 20         | CL216-0156-1-51 | P-1620A-STA (51) | 33 | 27 | YES  |
| 24         | CL216-0157-4-51 | P-1624A-STA (51) | 37 | 31 |      |
| 28         | CL216-0158-7-51 | P-1628A-STA (51) | 40 | 34 |      |
| 34         | CL216-0123-2-51 | P-1634A-STA (51) | 45 | 39 |      |
| 45         | CL216-0124-3-51 | P-1645A-STA (51) | 54 | 48 |      |
| 60         | CL216-0125-3-51 | P-1660A-STA (51) | 67 | 61 |      |

Note: All these products are stopper brackets only. Order connector units separately. The cases can be used for both male and female connector units. The brackets marked with an asterisk are of standard specifications.

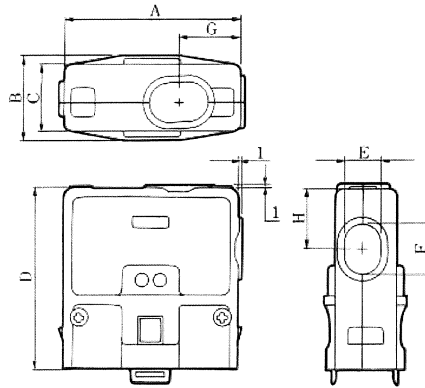
P-1634A-STA (51)

The product information in this catalog is for reference only. Please request the Engineering Drawing for the most current and accurate design information.  
 All non-RoHS products have been discontinued, or will be discontinued soon. Please check the products status on the Hirose website RoHS search at [www.hirose-connectors.com](http://www.hirose-connectors.com), or contact your Hirose sales representative.

## Side Touch Lock Type Jack Shell (For Extension Cable)



S-1634A-J (50)



Unit: mm

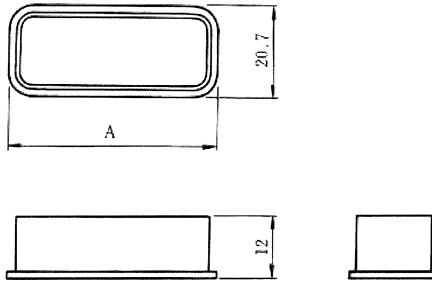
| No. of Pin | HRS No.         | Part No.       | A  | B  | C    | D    | E  | F  | G    | H    | RoHS |
|------------|-----------------|----------------|----|----|------|------|----|----|------|------|------|
| 20         | CL216-0139-2-50 | S-1620A-J (50) | 37 | 23 | 17.5 | 45.5 | 11 | 11 | 14.5 | 14.5 | YES  |
| 24         | CL216-0140-1-50 | S-1624A-J (50) | 41 | 23 | 17.5 | 46.5 | 11 | 12 | 15   | 15   |      |
| 28         | CL216-0141-4-50 | S-1628A-J (50) | 44 | 23 | 17.5 | 47.5 | 11 | 13 | 15.5 | 15.5 |      |
| 34         | CL216-0142-7-50 | S-1634A-J (50) | 49 | 23 | 17.5 | 50.5 | 11 | 16 | 17   | 17   |      |
| 45         | CL216-0225-2-50 | S-1645A-J (50) | 58 | 23 | 18.5 | 54.5 | 11 | 19 | 18.5 | 19.5 |      |
| 60         | CL216-0226-5-50 | S-1660A-J (50) | 71 | 23 | 18.5 | 59.5 | 11 | 24 | 21   | 22   |      |

Note: All these products are jack cases only. Order connector units separately.  
 The cases can be used for female connector units only.

## Top Touch Lock Type Stopper Bracket



1645STA-DC



Unit: mm

| No. of Pin | HRS No.      | Part No.   | A    | RoHS |
|------------|--------------|------------|------|------|
| 20         | CL216-0321-6 | 1620STA-DC | 38.3 | YES  |
| 24         | CL216-0322-9 | 1624STA-DC | 42.3 |      |
| 28         | CL216-0323-1 | 1628STA-DC | 45.3 |      |
| 34         | CL216-0324-4 | 1634STA-DC | 50.3 |      |
| 45         | CL216-0325-7 | 1645STA-DC | 59.3 |      |
| 60         | CL216-0326-0 | 1660STA-DC | 72.3 |      |

# SHOULDER-TOUCH LOCK TYPE

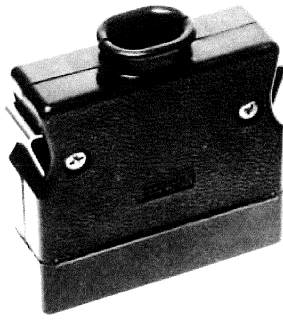
## General

The shoulder-touch lock type plug cases are highly reliable, lightweight, sturdy, and operable. 8, 12, and 16-contact models are available. Hirose high-density packaging plug cases, including the top-touch lock type, are available in 8 to 60-contact models.

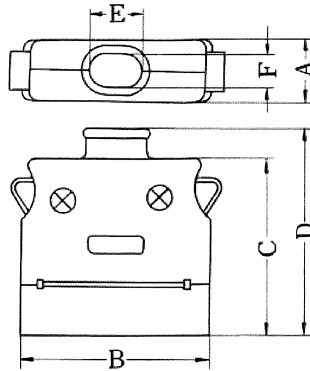
## Material and Finish

| Description | Material            | Finish         |
|-------------|---------------------|----------------|
| Plug case   | Polypropylene resin | Black          |
| Stopper     | Steel               | Nickel plating |

## Plug Case



1616-CBA (50)

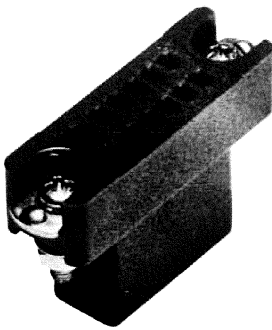


Unit: mm

| No. of Pin | HRS No.         | Part No.      | A  | B  | C  | D  | E     | F   | RoHS |
|------------|-----------------|---------------|----|----|----|----|-------|-----|------|
| 8          | CL216-0416-0-50 | 1608-CBA (50) | 14 | 35 | 40 | 45 | 7.5 φ |     |      |
| 12         | CL216-0417-3-51 | 1612-CBA (51) | 14 | 40 | 41 | 46 | 9     | 7.5 | YES  |
| 16         | CL216-0418-6-50 | 1616-CBA (50) | 14 | 45 | 42 | 47 | 11.5  | 7.5 |      |

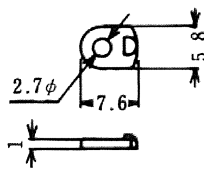
Note: Order connector units separately. The cases can be used for both male and female connector units. The cases marked with an asterisk are of standard specifications.

## Stopper

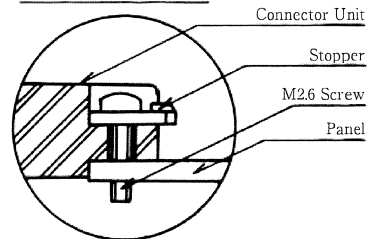


1600-STB (05)

Note: Mounted on a connector unit  
(Each package contains two stoppers)



### How to Mount



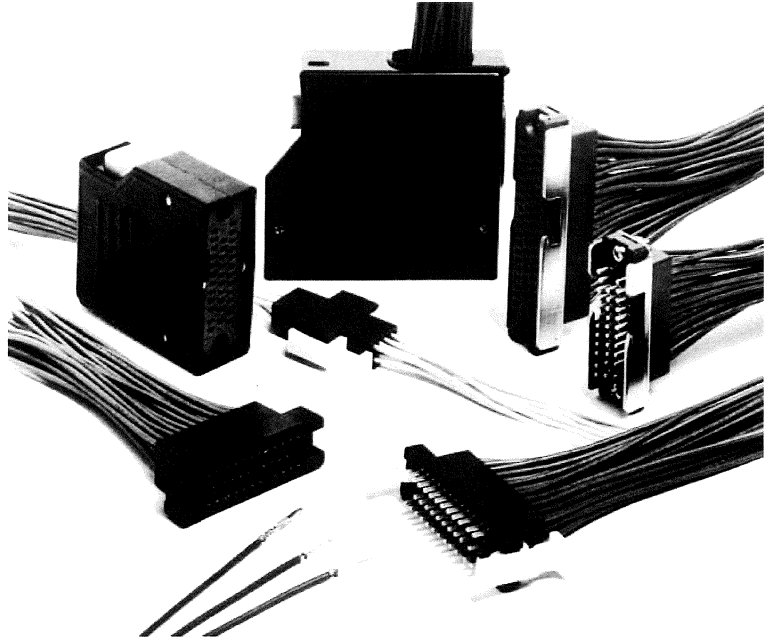
| HRS No.         | Part No.      | Remark              | RoHS |
|-----------------|---------------|---------------------|------|
| CL216-0302-1-05 | 1600-STB (05) | Common for any size | YES  |

Note: Order connector units separately. The cases marked with an asterisk are of standard specifications.

# 1600 SUMICON CRIMP TYPE CONNECTORS

## General

The SUMICON 1600 series are high-performance compact crimp type connectors developed for labor saving in connection work. 8, 12, 16, 20, 24, 34, 45 and 60-contact models are available. All models are compatible with our previous top-lock type plug cases. For using the connectors separately, easy-to-mount plastic locks are available to expand their functions.



## Ordering Information

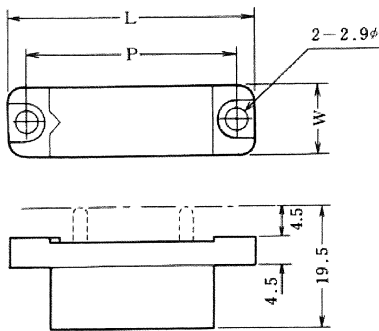
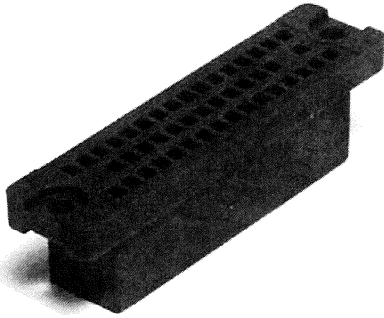
| Item                                    | Standard                             |          |          |          |
|---|--------------------------------------|----------|----------|----------|
| Contact Resistance                      | 7mΩ or less at DC 1A (contact only)  |          |          |          |
| Insulation Resistance                   | 5.000MΩ or more at DC 500V           |          |          |          |
| Withstand Voltage                       | AC 1.000V for 1minute                |          |          |          |
| Rating Current                          | 3A                                   |          |          |          |
| Applicable Cable                        | AWG # 24-28 (Coating O.D. 1.6φ-0.9φ) |          |          |          |
| Crimping strength<br>(Unit: kg or more) | Cable                                | AWG # 24 | AWG # 26 | AWG # 28 |
|   | Crimping force                       | 3.6      | 2.4      | 1.6      |

| Part            | Material                                     | Finish                       |
|-----------------|--|------------------------------|
| Insulator       | Glass-containing polycarbonate resin UL94V-0 | Blue                         |
| Male Terminal   | Brass  | Gold-plated<br>Silver-Plated |
| Female Terminal | Phosphor bronze                              | Gold-plated<br>Silver-Plated |

## Features

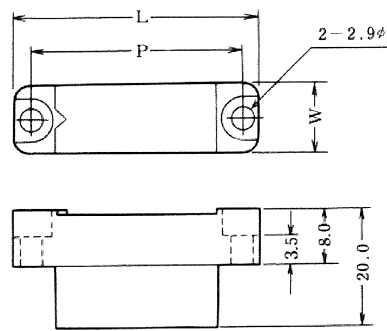
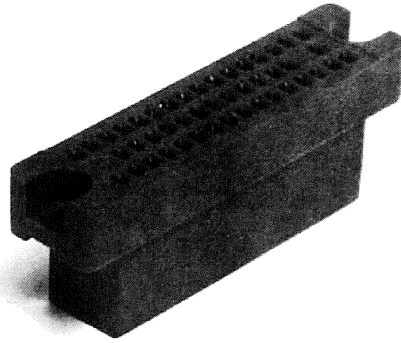
1. Since this is a press-fit type connector, anyone can perform wiring securely with high reliability.
2. For contact, a two-point contact system is employed for outstanding reliability. It also offers superior mechanical strength.
3. The Sumicon 1600 Series Press-Fit Type Connectors are interchangeable with the conventional solder, DIP and lapping type connectors. They are applicable, therefore, to a wider range of applications.
4. To use connector unit separately, jointly employing an easily installable plastic lock will prevent vibrations and/or cable dead weight from unplugging the connector. The plastic lock, moreover, can be used with either center-suspension or panel-mount system.
5. All wiring spliced with the connector is hidden completely inside the housing, allowing for perfect insulation.

## Housing



Unit: mm

| HRS No.      | No. of Pin | Part No. | L  | P  | W  | RoHS |
|--------------|------------|----------|----|----|----|------|
| CL216-0335-0 | 8          | PC-1608  | 25 | 19 | 10 | YES  |
| CL216-0336-3 | 12         | PC-1612  | 30 | 24 | 10 |      |
| CL216-0337-6 | 16         | PC-1616  | 35 | 29 | 10 |      |
| CL216-0338-9 | 20         | PC-1620  | 33 | 27 | 13 |      |
| CL216-0339-1 | 24         | PC-1624  | 37 | 31 | 13 |      |
| CL216-0340-0 | 28         | PC-1628  | 40 | 34 | 13 |      |
| CL216-0341-3 | 34         | PC-1634  | 45 | 39 | 13 |      |
| CL216-0342-6 | 45         | PC-1645  | 54 | 48 | 13 |      |
| CL216-0343-9 | 60         | PC-1660  | 67 | 61 | 13 |      |

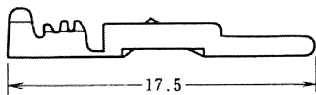


Unit: mm

| HRS No.      | No. of Pin | Part No. | L  | P  | W  | RoHS |
|--------------|------------|----------|----|----|----|------|
| CL216-0344-1 | 8          | SC-1608  | 25 | 19 | 10 | YES  |
| CL216-0345-4 | 12         | SC-1612  | 30 | 24 | 10 |      |
| CL216-0346-7 | 16         | SC-1616  | 35 | 29 | 10 |      |
| CL216-0347-0 | 20         | SC-1620  | 33 | 27 | 13 |      |
| CL216-0348-2 | 24         | SC-1624  | 37 | 31 | 13 |      |
| CL216-0349-5 | 28         | SC-1628  | 40 | 34 | 13 |      |
| CL216-0350-4 | 34         | SC-1634  | 45 | 39 | 13 |      |
| CL216-0351-7 | 45         | SC-1645  | 54 | 48 | 13 |      |
| CL216-0352-0 | 60         | SC-1660  | 67 | 61 | 13 |      |

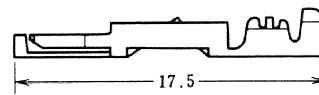
## Contact

### Male Contact



| Type  | HRS No.      | Part No.    | Plating | RoHS |
|-------|--------------|-------------|---------|------|
| Loose | CL216-0331-0 | PC-1600-111 | Gold    | YES  |
|       | CL216-0332-2 | PC-1600-112 | Silver  |      |
| Chain | CL216-0363-6 | PC-1600-211 | Gold    |      |
|       | CL216-0364-9 | PC-1600-212 | Silver  |      |

### Female Contact

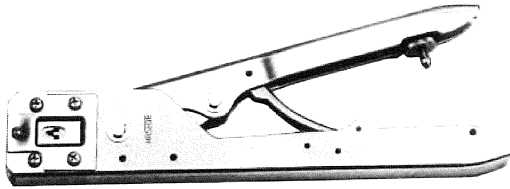


| Type  | HRS No.      | Part No.    | Plating | RoHS |
|-------|--------------|-------------|---------|------|
| Loose | CL216-0333-5 | SC-1600-111 | Gold    | YES  |
|       | CL216-0334-8 | SC-1600-112 | Silver  |      |
| Chain | CL216-0365-1 | SC-1600-211 | Gold    |      |
|       | CL216-0366-4 | SC-1600-212 | Silver  |      |

Note: Loose-piece terminals are available in packs. Each pack contains 100 terminals. Strip terminals are available in reels. Each reel contains 10,000 terminals.

## Tools

| Type                 | HRS No.      | Part No.    |
|----------------------|--------------|-------------|
| Manual crimping tool | CL250-0003-1 | TC-1600-111 |
| Contact extractor    | CL250-0004-4 | TC-1600-21  |



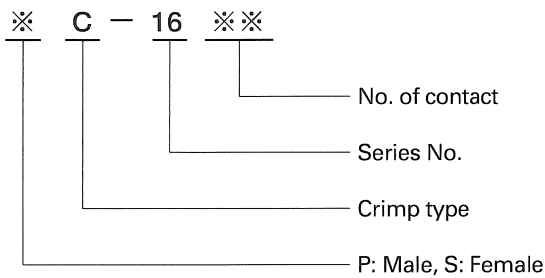
Hand Crimp Tool TC-1600-111



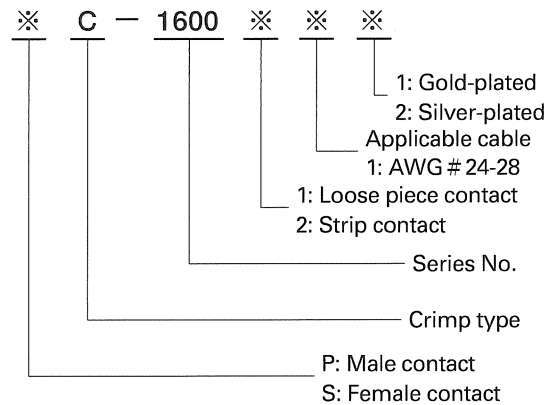
Contact Extractor TC-1600-21

## Ordering Informations

### ● Housing



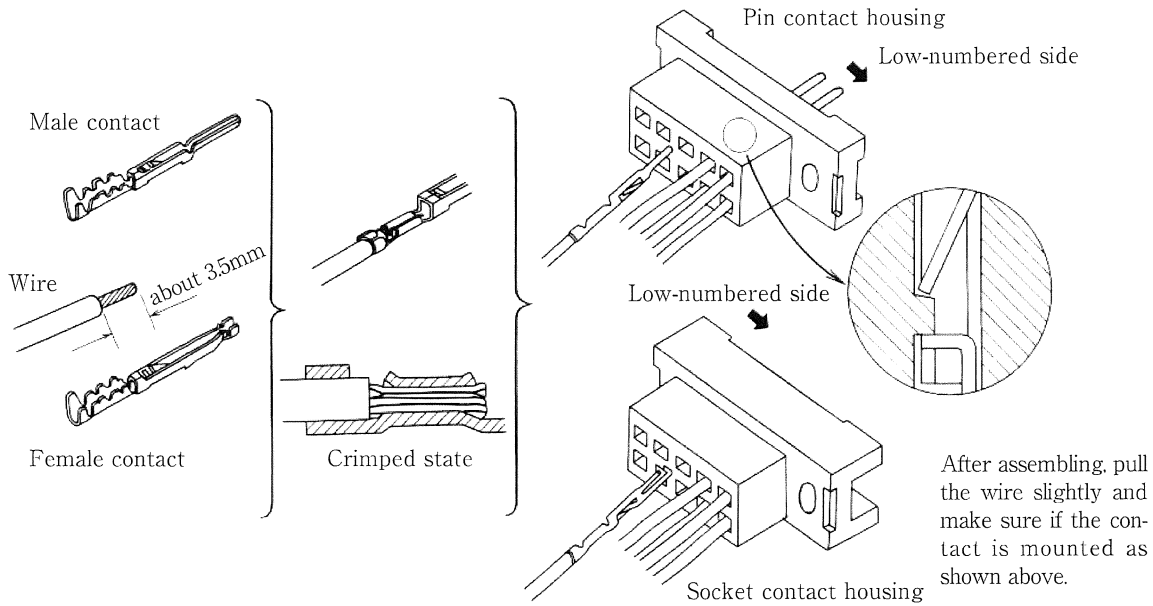
### ● Contact



## Using the Connectors

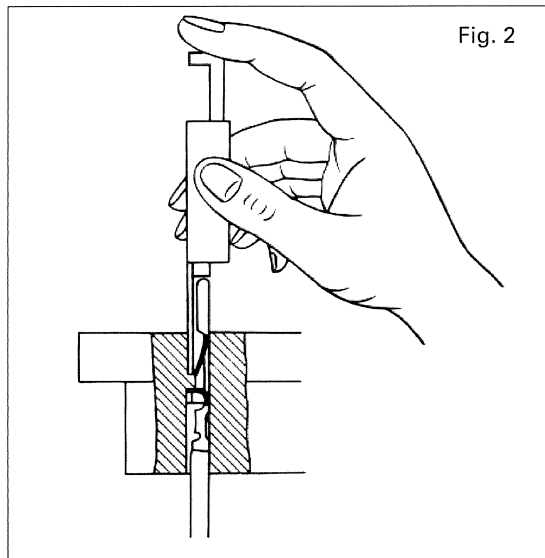
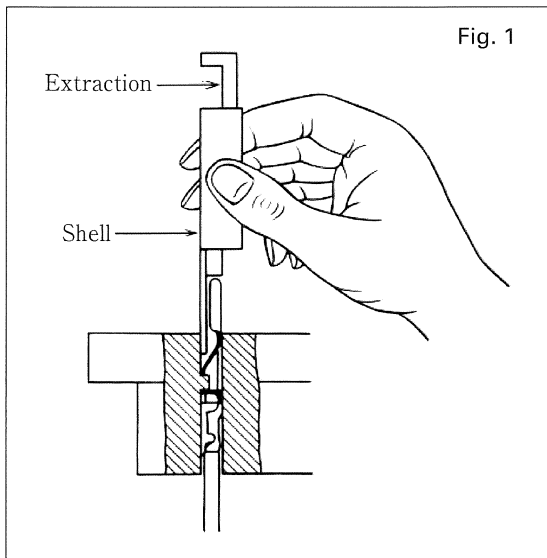
- (1) Take care when removing the connectors to pull out by the housing and not tug on the wires.
- (2) The male terminals of the connectors will be bent if the connectors are twisted when being removed. Take care to pull the characters out straight.
- (3) The plastic locks are sufficiently strong to ensure that the connector engagement will not be loosened by vibration or the weight of the wires. Their strength is not sufficient for other loads. When strength for some other load is required, use the top-touch lock type plug case (common for both solder and wrapping types).
- (4) Both gold-plated and silver-plated terminals are available. Use the gold-plated type in adverse environments. In other environments, we recommend the economical silver-plated type.
- (5) For crimping, use a manual crimping device for low-volume crimping and maintenance. For high-volume crimping, we recommend the automatic crimping machine shown on page 124.
- (6) For plug-in uses, we recommend Sumicon 1600 series solder or wrapping types for improved functionality.

## Assembling Procedure



## Procedure for Contact Extraction

In case of extracting a contact from the housing due to insertion error or circuit change, follow the steps as shown below.



- 1 Hold the Contact Extractor as shown in Fig. 1, placing the tip of the Extractor on the tip of a contact, then insert it between the contact and the housing.
2. When the tip of the Extractor comes into contact with a stepped part in the housing, the spring will come off from the stepped part with a snap which can be felt. Then, extract the contact by pulling the wire.

- (Caution: Pushing the tip of the extractor forcibly before the spring has come off from the stepped part may damage the contact).
3. Above Fig. 1 and Fig. 2 show how to extract a contact from socket housing. The same procedure can be employed to extract a contact from pin housing.



## Use of Connectors with Respect to Polarity (to prevent mis-insertion of connectors)

Polarization of SUMICON 1600 series can be achieved by contact arrangement. The crimp type contacts are designed to float a little, so that the use of a Polarizing

Key is recommended in order to ensure positive polarization.

### In Case of 8, 12 and 16 contact

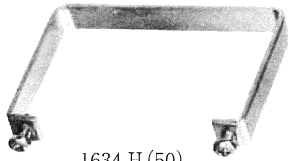
1. When crimp types are used in both the male and female, do not fill all cavities with contacts. Use Polarizing Key at minimum 2 cavities of Socket housing as shown below and do not fill pin contacts at the corresponding cavities of male housing.
2. When male crimp type is used in combination with solder or wire wrap female type, the connector coupling shall be done carefully not to couple in reverse position. Coupling shall be made by matching of triangle marks on connector inserts.

### In case of Multi Pin Type more than 20 contact

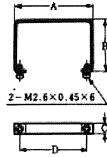
1. SUMICON 1600 series are naturally polarized in all cavities filled with contacts. When all cavities are not filled, Polarizing Keys shall be inserted in vacant cavities to the minimum for preventing reverse coupling. But when Top Touch Lock Plug Shell is used, Polarizing Keys are not necessary
2. When male crimp type is used with some vacant cavities in combination with solder or wire wrap female type, Top Touch Lock Plug Shell is recommended.

The product information in this catalog is for reference only. Please request the Engineering Drawing for the most current and accurate design information.  
 All non-RoHS products have been discontinued, or will be discontinued soon. Please check the products status on the Hirose website RoHS search at [www.hirose-connectors.com](http://www.hirose-connectors.com), or contact your Hirose sales representative.

## Handle



1634-H (50)

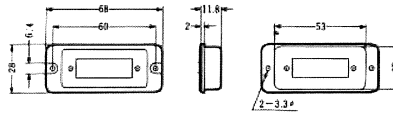


| Unit: mm   |                 |             |    |    |   |    |      |
|------------|-----------------|-------------|----|----|---|----|------|
| No. of Pin | HRS No.         | Part No.    | A  | B  | C | D  | RoHS |
| 16         | CL216-0135-1-50 | 1616-H (50) | 36 | 25 | 6 | 29 | YES  |
| 34         | CL216-0136-4-50 | 1634-H (50) | 46 | 30 | 6 | 39 |      |
| 60         | CL216-0137-7-50 | 1660-H (50) | 68 | 30 | 8 | 61 |      |

## Deep Bracket



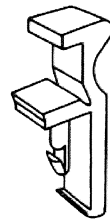
1634-DB



| Unit: mm   |              |          |      |
|------------|--------------|----------|------|
| No. of Pin | HRS No.      | Part No. | RoHS |
| 34         | CL216-0138-0 | 1634-DB  | YES  |

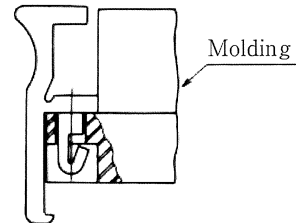
## Crimp or any Connector Unit

| HRS No.      | Part No. | RoHS |
|--------------|----------|------|
| CL216-0354-5 | 1600-LC  | YES  |



1600-LC

### How to Mount



Common for solder, wire wrap, crimp or any connector unit

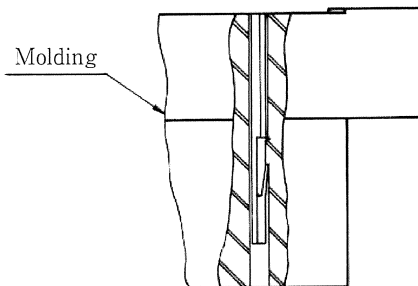
## Polarizing Key

| HRS No.      | Part No.       | RoHS |
|--------------|----------------|------|
| CL216-0487-9 | Polarizing Key | YES  |



Polarizing Key

### How to Mount

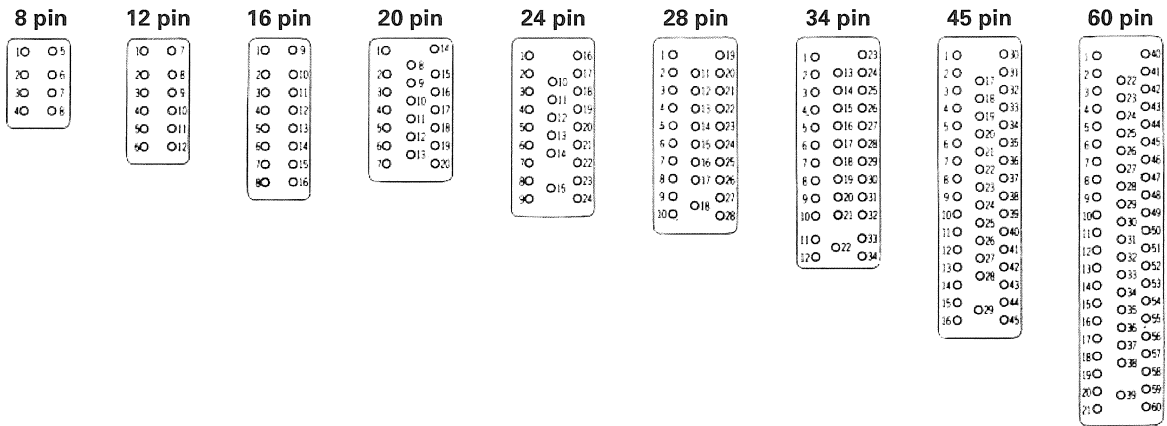


The polarizing key (material: SC-16 " ") can be used for any type of female housing. For handling, see "Notes on connector polarity (prevention of misinsertion)" on 124page of this manual.

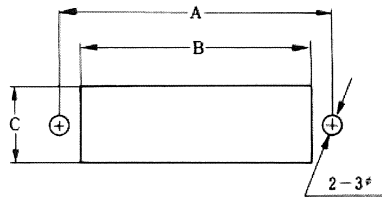
The product information in this catalog is for reference only. Please request the Engineering Drawing for the most current and accurate design information.  
 All non-RoHS products have been discontinued, or will be discontinued soon. Please check the products status on the Hirose website RoHS search at [www.hirose-connectors.com](http://www.hirose-connectors.com), or contact your Hirose sales representative.

## Terminal Arrangement and Numbers

The figure shows a male connector as viewed from the termination side



## Connector Mounting Hole Dimensions



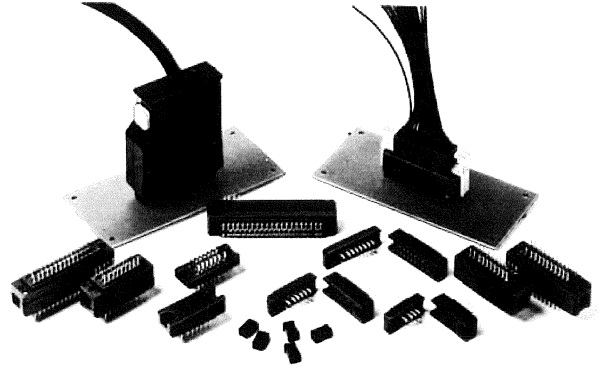
Unit: mm

| No. of Contact | A  | B    | C    | screw |
|----------------|----|------|------|-------|
| 8              | 19 | 13.5 | 8.5  |       |
| 12             | 24 | 18.5 | 8.5  |       |
| 16             | 29 | 23.5 | 11.5 |       |
| 20             | 27 | 21.5 | 11.5 |       |
| 24             | 31 | 25.5 | 11.5 | M2.6  |
| 28             | 34 | 28.5 | 11.5 |       |
| 34             | 39 | 33.5 | 11.5 |       |
| 45             | 48 | 42.5 | 11.5 |       |
| 60             | 61 | 53.5 | 11.5 |       |

# SUMICON 1600 SERIES DIP SOLDERING CONNECTORS

## General

The SUMICON 1600 series are original Hirose rectangular dip soldering connectors. 8, 12, 16, 20, 24, 34, 45 and 60-contact models are available. All models are compatible with the previous 1600 series in mounting and accessories.



## Features

1. Allows straight dip soldering onto a PCB, and is effective in PCB-to-PCB and PCB-to-cable connection.
2. Suitable for use in interface, being compact and lightweight and meeting high-density packaging requirements.
3. Further cuts interconnection costs when simple locks are used.
4. A wide variety of combinations of connection methods available, e.g., dip soldering, wrapping, and crimping, to meet your requirements.

## Main Applications

Computers, peripherals and terminals, data communications equipment, measuring instruments, signal equipment, mobile radio equipment, copier, and FAX machine.

## Electrical and Environmental

| Performance           |                              |
|-----------------------|------------------------------|
| Contact Resistance    | 7mΩ or less at DC 1A         |
| Insulation Resistance | 1,000MΩ or higher at DC 500V |
| Withstand Voltage     | AC 1,000V for 1 minute       |
| Current capacity      | 3A                           |

| Material and finish |                                    |  |
|---------------------|------------------------------------|--|
| Insulator           | Glass-Filled diallylphtalate resin |  |
| Male Terminal       | Bress                              | Type A: Silver-plated<br>Type B: Gold-plated |
| Female Terminal     | Phosphor bronze                    |  |

## Ordering Information

P
D
—
16
34
□
A
—
SP
□
(09)

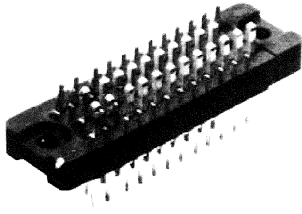
(1)
(2)
(3)
(4)
(5)
(6)
(7)
(8)
(9)

- |  |   |
|--|---|
| <p>(1) Shape of terminal opening<br/>P: Male terminal<br/>S: Female terminal</p> <p>(2) Terminal connection method<br/>D: Dip soldering</p> <p>(3) Series No.<br/>16: 1600 series</p> <p>(4) Number of contacts</p> <p>(5) Serial sign for connector units<br/>Provided with a sequence of upper-case alphabetic characters.<br/>Sequence: No sign, B, C, D, E ...</p> | <p>(6) Plating<br/>A: Silver plated<br/>B: Gold plated</p> <p>(7) Signs for accessories<br/>SP: Spacer for dip soldering</p> <p>(8) Serial signs for accessories<br/>Each accessory is provided with a sequence A of upper-case alphabetic characters. Sequence: No sign, A, B ...</p> <p>(9) Specification<br/>(09) : Standard</p> |
|--|---|

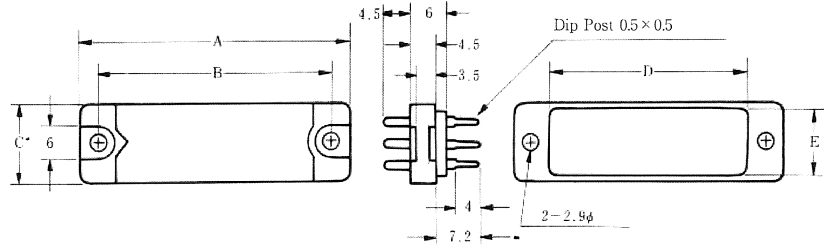
The product information in this catalog is for reference only. Please request the Engineering Drawing for the most current and accurate design information.  
 All non-RoHS products have been discontinued, or will be discontinued soon. Please check the products status on the Hirose website RoHS search at [www.hirose-connectors.com](http://www.hirose-connectors.com), or contact your Hirose sales representative.

## Dip Soldering Type Connector

### Male Connector



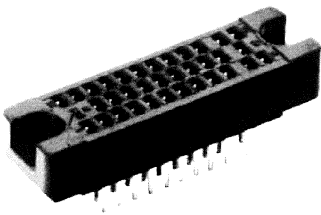
PD-1634BA (09)



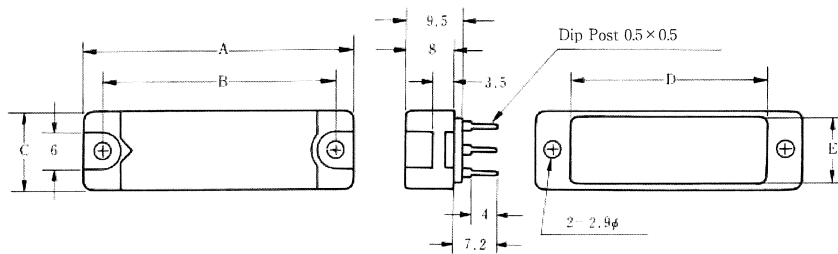
Unit: mm

| No. of Pin | A Type          |                | G Type          |                | A  | B  | C  | D  | E  | RoHS |
|------------|-----------------|----------------|-----------------|----------------|----|----|----|----|----|------|
|            | HRS No.         | Part No.       | HRS No.         | Part No.       |    |    |    |    |    |      |
| 8          | CL216-0388-7-09 | PD-1608BA (09) | CL216-0406-7-09 | PD-1608BG (09) | 25 | 19 | 10 | 13 | 8  | YES  |
| 12         | CL216-0389-0-09 | PD-1612BA (09) | CL216-0407-0-09 | PD-1612BG (09) | 30 | 24 | 10 | 18 | 8  |      |
| 16         | CL216-0390-9-09 | PD-1616BA (09) | CL216-0408-2-09 | PD-1616BG (09) | 35 | 29 | 10 | 23 | 8  |      |
| 20         | CL216-0391-1-09 | PD-1620BA (09) | CL216-0409-5-09 | PD-1620BG (09) | 33 | 27 | 13 | 21 | 11 |      |
| 24         | CL216-0392-4-09 | PD-1624BA (09) | CL216-0410-4-09 | PD-1624BG (09) | 37 | 31 | 13 | 25 | 11 |      |
| 28         | CL216-0393-7-09 | PD-1628BA (09) | CL216-0411-7-09 | PD-1628BG (09) | 40 | 34 | 13 | 28 | 11 |      |
| 34         | CL216-0394-0-09 | PD-1634BA (09) | CL216-0412-0-09 | PD-1634BG (09) | 45 | 39 | 13 | 33 | 11 |      |
| 45         | CL216-0395-2-09 | PD-1645BA (09) | CL216-0413-2-09 | PD-1645BG (09) | 54 | 48 | 13 | 42 | 11 |      |
| 60         | CL216-0396-3-09 | PD-1660BA (09) | CL216-0414-5-09 | PD-1660BG (09) | 67 | 61 | 13 | 55 | 11 |      |

### Female Connector



SD-1634A (09)



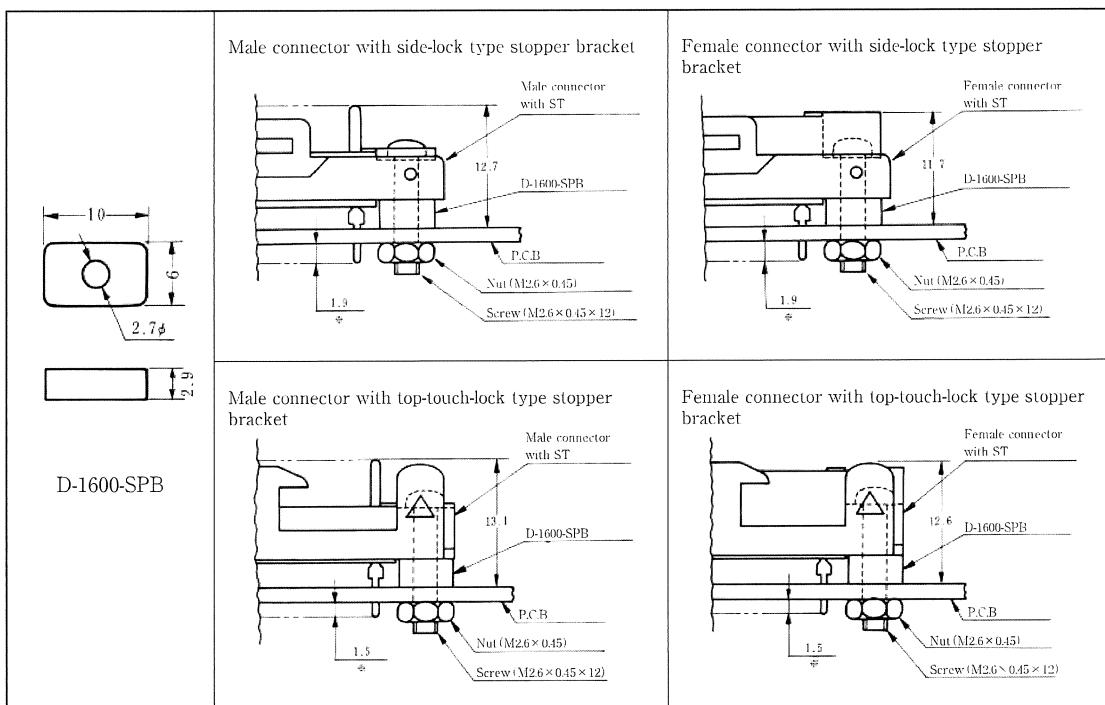
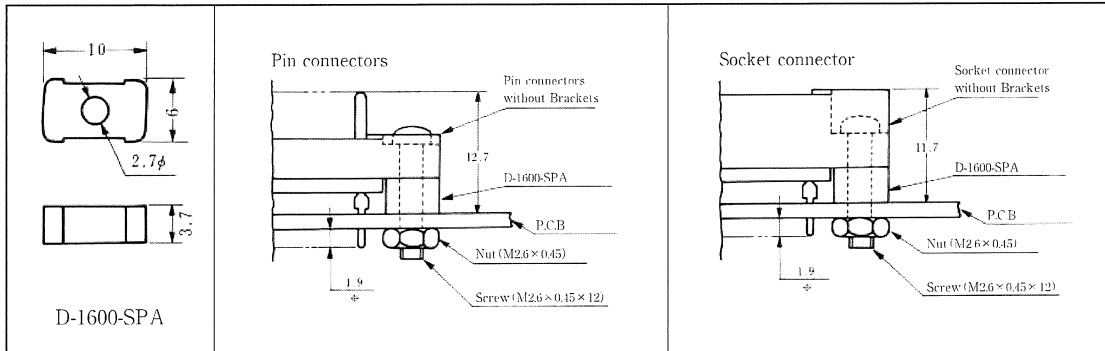
Unit: mm

| No. of Pin | A Type          |                | G Type          |                | A  | B  | C  | D  | E  | RoHS |
|------------|-----------------|----------------|-----------------|----------------|----|----|----|----|----|------|
|            | HRS No.         | Part No.       | HRS No.         | Part No.       |    |    |    |    |    |      |
| 8          | CL216-0379-6-09 | SD-1608BA (09) | CL216-0397-8-09 | SD-1608BG (09) | 25 | 19 | 10 | 13 | 8  | YES  |
| 12         | CL216-0380-3-09 | SD-1612BA (09) | CL216-0398-0-09 | SD-1612BG (09) | 30 | 24 | 10 | 18 | 8  |      |
| 16         | CL216-0381-8-09 | SD-1616BA (09) | CL216-0399-3-09 | SD-1616BG (09) | 35 | 29 | 10 | 23 | 8  |      |
| 20         | CL216-0382-0-09 | SD-1620BA (09) | CL216-0400-0-09 | SD-1620BG (09) | 33 | 27 | 13 | 21 | 11 |      |
| 24         | CL216-0383-3-09 | SD-1624BA (09) | CL216-0401-3-09 | SD-1624BG (09) | 37 | 31 | 13 | 25 | 11 |      |
| 28         | CL216-0384-6-09 | SD-1628BA (09) | CL216-0402-6-09 | SD-1628BG (09) | 40 | 34 | 13 | 28 | 11 |      |
| 34         | CL216-0385-9-09 | SD-1634BA (09) | CL216-0403-9-09 | SD-1634BG (09) | 45 | 39 | 13 | 33 | 11 |      |
| 45         | CL216-0386-1-09 | SD-1645BA (09) | CL216-0404-1-09 | SD-1645BG (09) | 54 | 48 | 13 | 42 | 11 |      |
| 60         | CL216-0387-4-09 | SD-1660BA (09) | CL216-0405-4-09 | SD-1660BG (09) | 67 | 61 | 13 | 55 | 11 |      |

## Dip Spacer

| HRS No.      | Part No.   | Application  |
|--------------|------------|--|
| CL216-0419-9 | D-1600-SPA | Connector unit packing<br>(applicable for models with any number of contacts)                  |
| CL216-0420-8 | D-1600-SPB | For packing with Connector unit stopper<br>(applicable for models with any number of contacts) |

Mounting screws must be supplied by the customer



Note 1: The connector unit packaging spacer (SPA) cannot be used for packing with the connector unit stopper bracket.

The packaging spacer with connector unit stopper bracket (SPB) cannot be used for packaging the connector unit.

Note 2: Provide two spacers (SPA and SPB) for each connector unit.

\* The dimensions marked with an asterisk (\*) are for PCBs of 1.6mm in thickness.

## How to use connectors

1. When disconnecting, pull it as straight as possible, because the male pins might be damaged if it is twisted.
2. Connectors are available with gold to be used in adverse environmental conditions and silver-plated pins be used in ordinary conditions.

## Recommended Dip Soldering Pattern of Connector

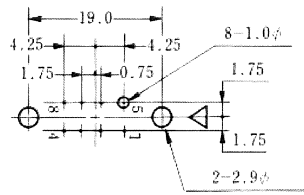
(mm)

When dip soldering the connectors to a PCB, drill holes as shown below. The figures indicate the number of contacts.  
 Signs  $\triangle$  indicate the V-shaped mark (direction of the

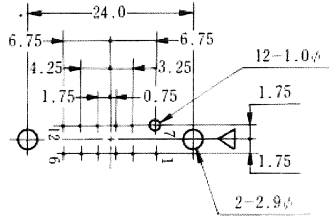
connector unit) on the mating face of the connector unit.

Signs  $\triangle$  indicate the V-shaped mark (direction of the

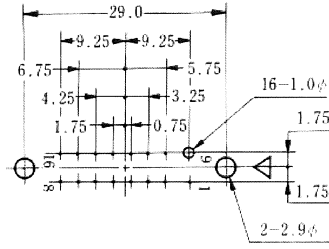
### Recommended Dip Soldering Pattern of Pin Connector (View of the connector-mounting surface of substrate)



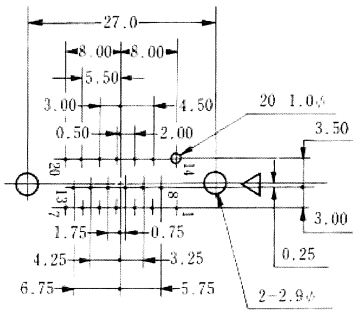
PD-1608



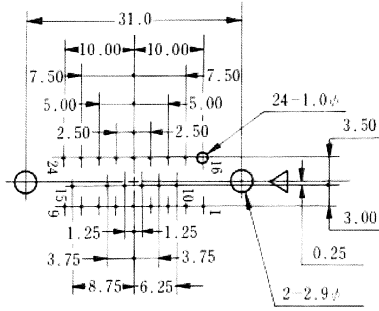
PD-1612



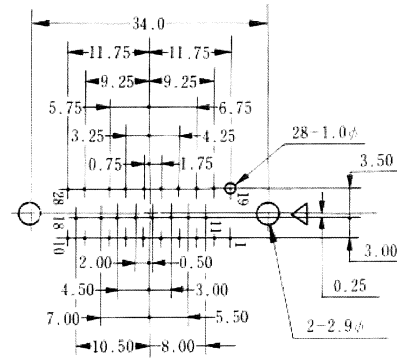
PD-1616



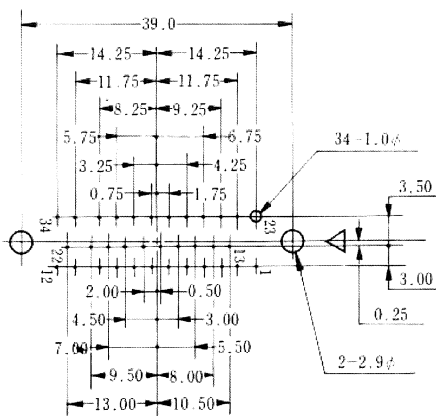
PD-1620



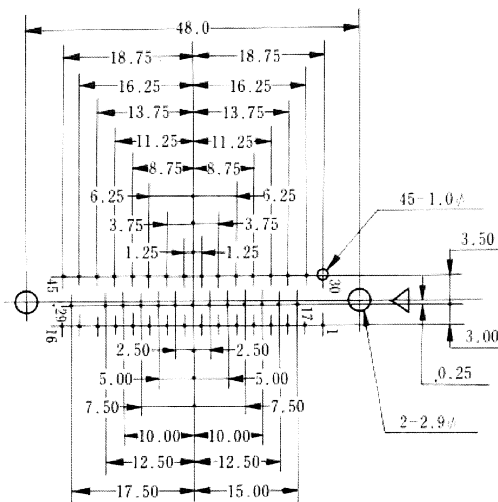
PD-1624



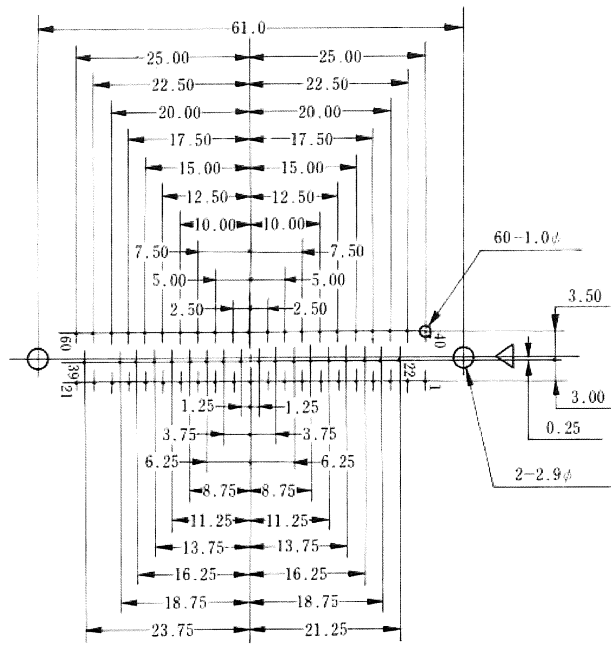
PD-1628



PD-1634

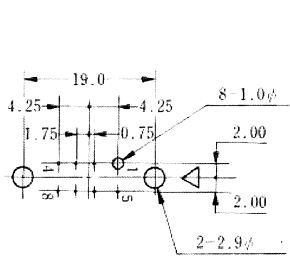


PD-1645

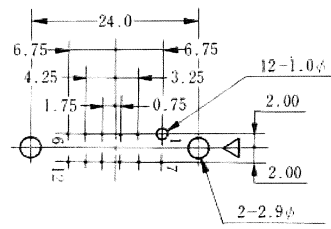


PD-1660

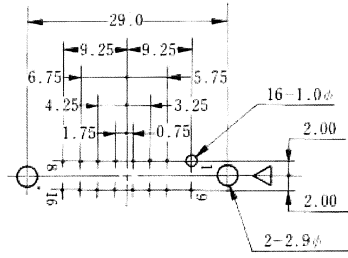
Recommended PC Board Hole Pattern Socket Connector



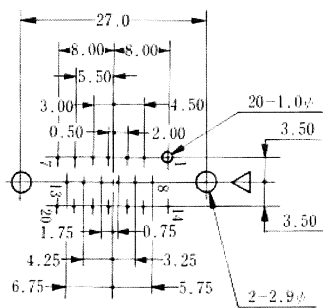
SD-1608



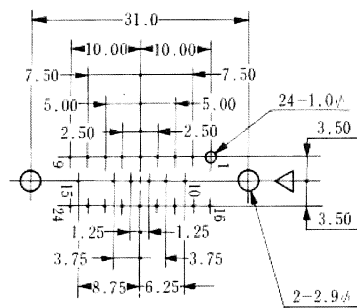
SD-1612



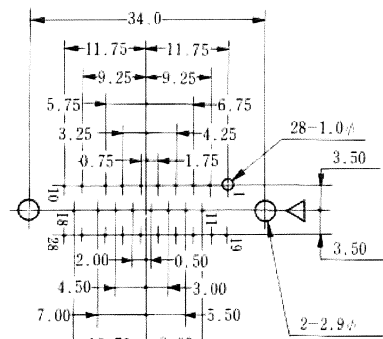
SD-1616



SD-1620



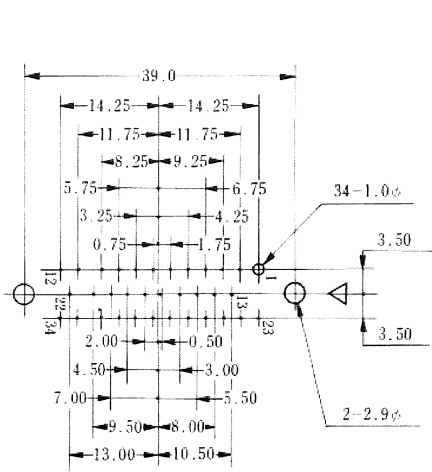
SD-1624



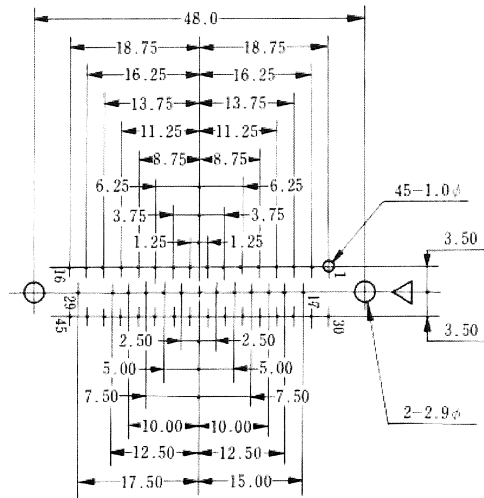
SD-1628



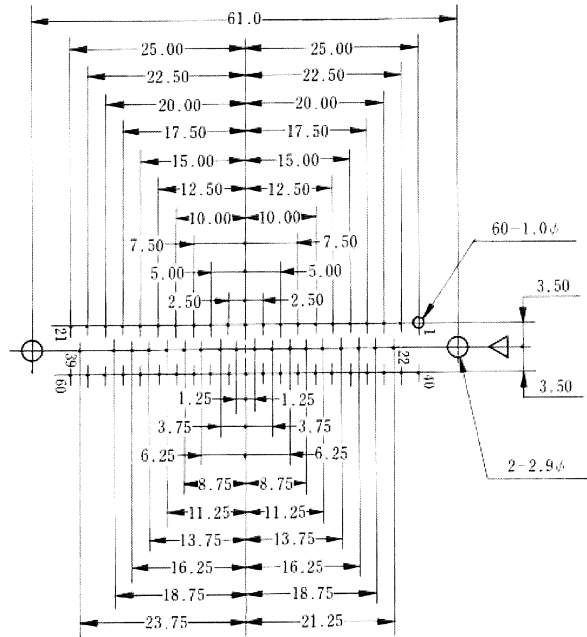
The product information in this catalog is for reference only. Please request the Engineering Drawing for the most current and accurate design information.  
 All non-RoHS products have been discontinued, or will be discontinued soon. Please check the products status on the Hirose website RoHS search at [www.hirose-connectors.com](http://www.hirose-connectors.com), or contact your Hirose sales representative.



SD-1634

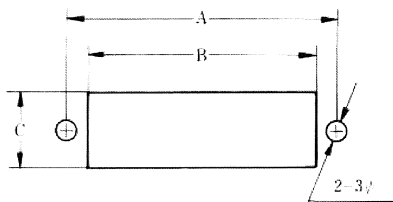


SD-1645



SD-1660

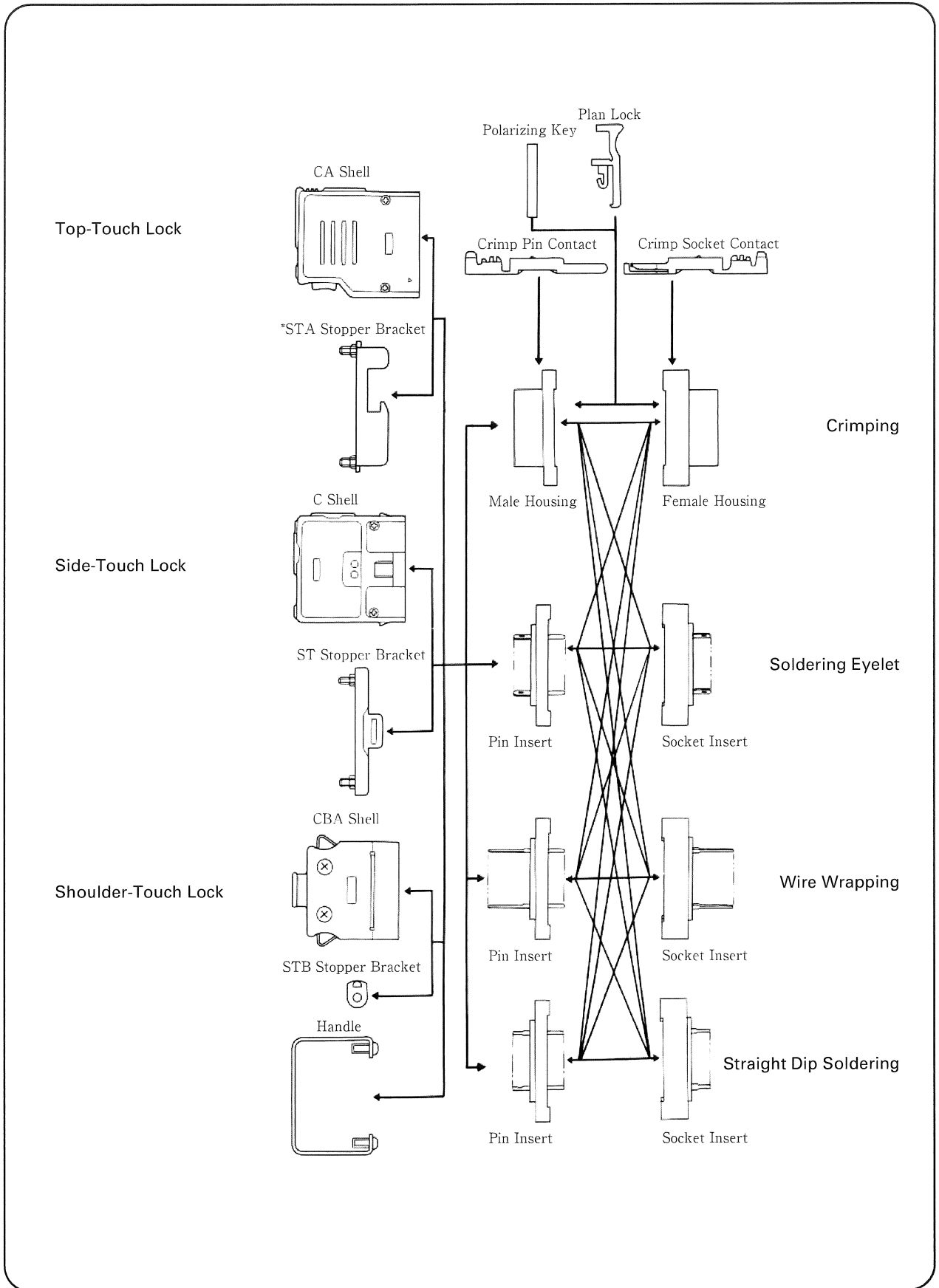
Recommended Mounting Hole



(mm)

| No. of Pin | A  | B    | C    | Applicable Screw |
|------------|----|------|------|------------------|
| 8          | 19 | 13.5 | 8.5  | M2.6             |
| 12         | 24 | 18.5 | 8.5  |                  |
| 16         | 29 | 23.5 | 8.5  |                  |
| 20         | 27 | 21.5 | 11.5 |                  |
| 24         | 31 | 25.5 | 11.5 |                  |
| 28         | 34 | 28.5 | 11.5 |                  |
| 34         | 39 | 33.5 | 11.5 |                  |
| 45         | 48 | 42.5 | 11.5 |                  |
| 60         | 61 | 55.5 | 11.5 |                  |

## Function Chart 1

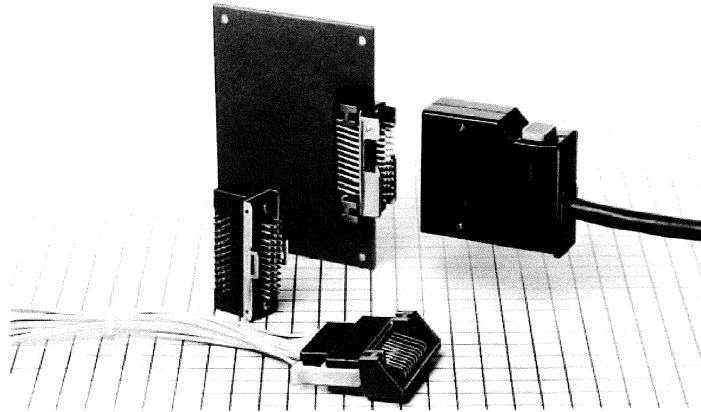


# SUMICON 1600 SERIES RIGHT-ANGLE DIP SOLDERING CONNECTORS (MALE)

## General

The SUMICON 1600 series are Hirose right-angle dip soldering connectors (male). All models are compatible with the existing soldering

type, wrapping type, crimping type, and straight dip soldering type connectors including their accessories. 20, 28, 34 and 60-contact models are available.



## Features

1. Direct dip soldering on a PCB enables convenient parallel connection with cable plugs.
2. Suitable as an interface, being lightweight and capable of high-density packaging.
3. Further cuts interconnection costs by using crimping type plugs with plastic locks for simple cable connection, so no cases are needed.
4. A wide variety of connection methods available, e.g., dip soldering, wrapping, and crimping, to meet your requirements.
5. Available with or without a top-touch lock type bracket and side-lock type bracket, offering you many choices for your applications.
6. Highly solvent-resistant, using insulating materials with high heat resistance and chemical-resistance.

## Main Applications

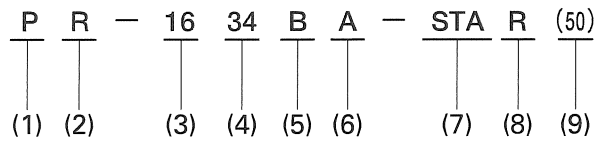
Electronic equipment such as computers, peripherals and terminals, control equipment, and measuring instruments.

## Electrical and Environmental

| Electrical Characteristics |                            |
|----------------------------|----------------------------|
| Contact Resistance         | 3A                         |
| Contact Resistance         | AC 300V                    |
| Contact Resistance         | 10mΩ or less at DC 1A      |
| Contact Resistance         | 100MΩ or higher at DC 500V |
| Contact Resistance         | 1,000Vr.m.s. for 1 minute  |

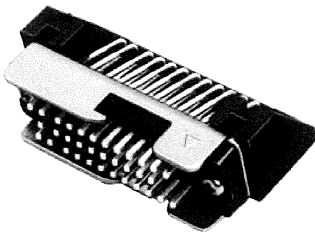
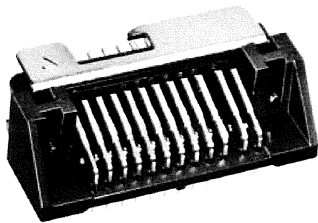
| Material and Finish |                                     |  |
|---------------------|-------------------------------------|--|
| Insulation          | Glass-Filled diallylphthalate resin | Blue   |
| Contact             | Brass                               | Type A: Silver-plated<br>Type B: Gold-plated |
| Right Angle         | Polybutylenephthalate resin         | Blue (UL94V-0)                               |
| Stopper Bracket     | Steel                               | Nickal plating                               |

## Ordering Information

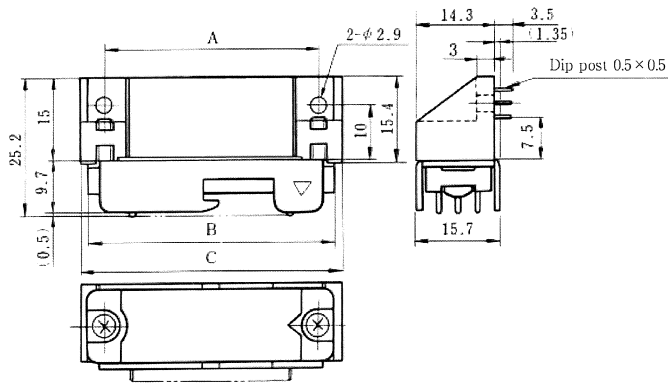


- |   |  |
|---|--|
| <p>(1) Shape of terminal opening<br/>P: Male terminal</p> <p>(2) Terminal connection method<br/>R: Right-angle dip soldering</p> <p>(3) Series No.<br/>16: 1600 series</p> <p>(4) Number of contacts</p> <p>(5) Serial sign for connector units<br/>Provided with a sequence of upper-case alphabetic characters.</p> | <p>(6) Plating<br/>A: Silver-plated<br/>B: Gold-plated</p> <p>(7) Accessories<br/>ST: Side-lock type stopper bracket<br/>STA: Top-touch type stopper bracket</p> <p>(8) R: Indicates a connector on which the STA bracket is mounted in the reverse direction against the standard. (the standard refers to the direction in which both <math>\triangle</math> marks on the STA bracket and connector unit are in the direction).</p> <p>(9) Specification<br/>(50) : RoHS compliant</p> |
|---|--|

### Right Angle Dip Soldering Pin Connectors With Stopped Bracker for Top-Touch Lock Plug Shell



PR-1634BA-STA (50)



Unit: mm

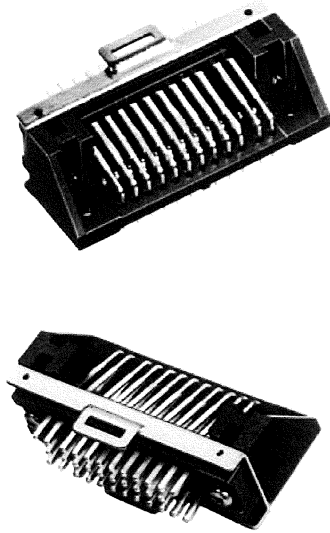
| No. of Pin | A Type          |                    | A  | B  | C  | RoHS |
|------------|-----------------|--------------------|----|----|----|------|
|            | HRS No.         | Part No.           |    |    |    |      |
| 20         | CL216-0448-7-50 | PR-1620BA-STA (50) | 27 | 33 | 36 | YES  |
| 28         | CL216-0450-9-50 | PR-1628BA-STA (50) | 34 | 40 | 43 |      |
| 34         | CL216-0451-1-50 | PR-1634BA-STA (50) | 39 | 45 | 48 |      |
| 60         | CL216-0453-7-50 | PR-1660BA-STA (50) | 61 | 67 | 70 |      |

Gold plated type are available options.

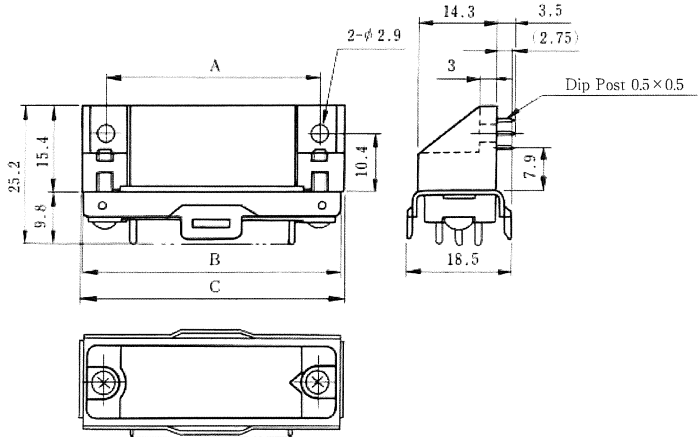
The product information in this catalog is for reference only. Please request the Engineering Drawing for the most current and accurate design information.  
 All non-RoHS products have been discontinued, or will be discontinued soon. Please check the products status on the Hirose website RoHS search at [www.hirose-connectors.com](http://www.hirose-connectors.com), or contact your Hirose sales representative.

## With Stopper Bracket for Side-Touch Lock Plug Shell

Unit: mm



PR-1634BA-ST (50)

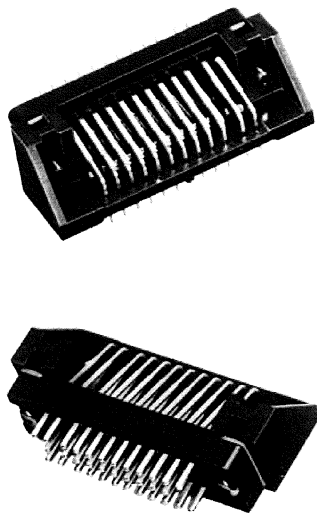


| No. of Pin | Type A          |                   | A  | B  | C  | RoHS |
|------------|-----------------|-------------------|----|----|----|------|
|            | HRS No          | Part No.          |    |    |    |      |
| 20         | CL216-0455-2-50 | PR-1620BA-ST (50) | 27 | 35 | 36 | ○    |
| 28         | CL216-0457-2-50 | PR-1628BA-ST (50) | 34 | 42 | 43 |      |
| 34         | CL216-0458-2-50 | PR-1634BA-ST (50) | 39 | 47 | 48 |      |
| 60         | CL216-0460-2-50 | PR-1660BA-ST (50) | 61 | 69 | 70 |      |

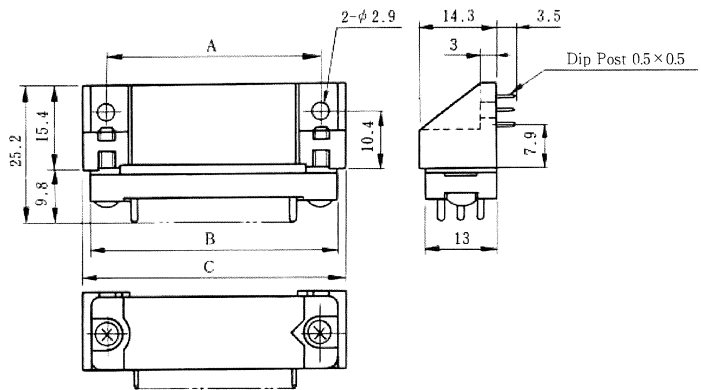
Gold plated type are available options

## Connector Unit Only Without Bracket

Unit: mm



PR-1634BA (50)



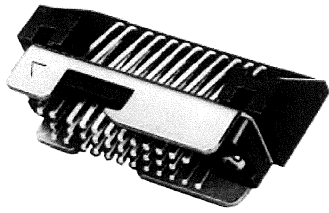
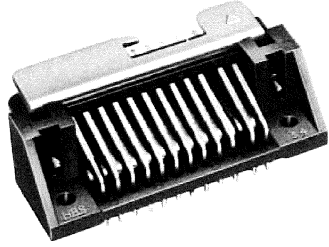
| No. of Pin | Type A          |                | A  | B  | C  | RoHS |
|------------|-----------------|----------------|----|----|----|------|
|            | HRS No          | Part No.       |    |    |    |      |
| 20         | CL216-0461-5-50 | PR-1620BA (50) | 27 | 33 | 36 | ○    |
| 28         | CL216-0463-0-50 | PR-1628BA (50) | 34 | 40 | 43 |      |
| 34         | CL216-0464-3-50 | PR-1634BA (50) | 39 | 45 | 48 |      |
| 60         | CL216-0466-9-50 | PR-1660BA (50) | 61 | 67 | 70 |      |

Gold plated type are available options

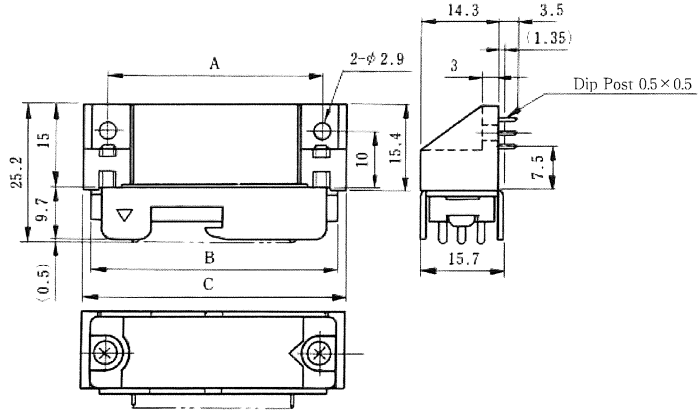
The product information in this catalog is for reference only. Please request the Engineering Drawing for the most current and accurate design information.  
 All non-RoHS products have been discontinued, or will be discontinued soon. Please check the products status on the Hirose website RoHS search at [www.hirose-connectors.com](http://www.hirose-connectors.com), or contact your Hirose sales representative.

## With Stopper Bracket for Top Touch Lock Plug Shell in Reverse Position

Unit: mm



PR-1634BA-STAR (50)

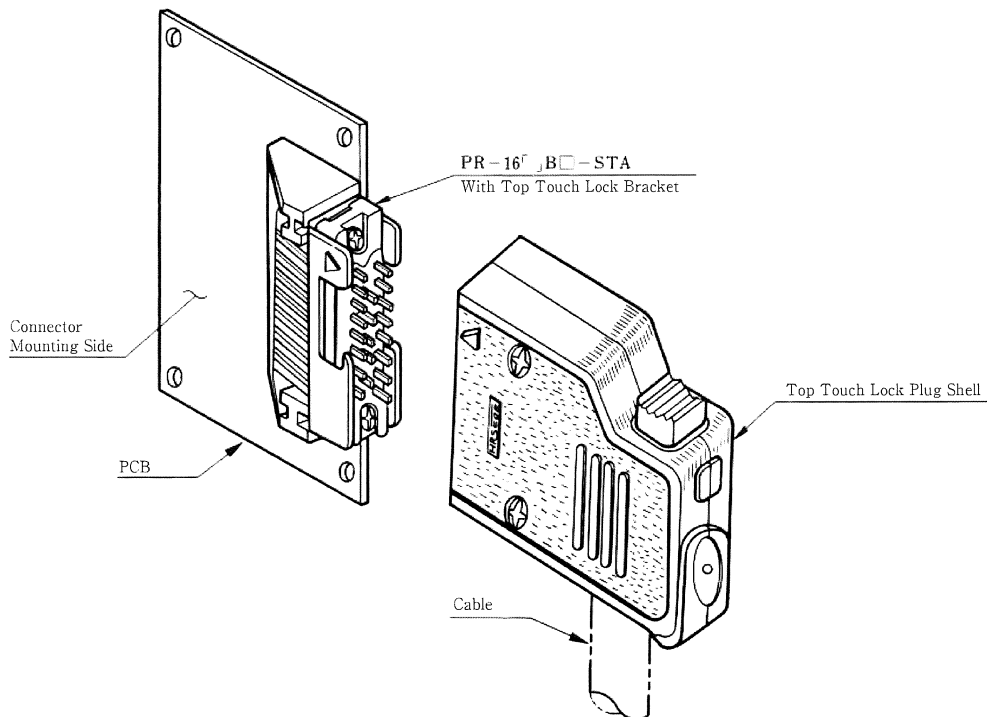


| No. of Pin | Type A          |                     |  | A  | B  | C  | RoHS |
|------------|-----------------|---------------------|--|----|----|----|------|
|            | HRS No          | Part No.            |  |    |    |    |      |
| 20         | CL216-0495-7-50 | PR-1620BA-STAR (50) |  | 27 | 33 | 36 | ○    |
| 28         | CL216-0497-2-50 | PR-1628BA-STAR (50) |  | 34 | 40 | 43 |      |
| 34         | CL216-0498-5-50 | PR-1634BA-STAR (50) |  | 39 | 45 | 48 |      |
| 60         | CL216-0500-5-50 | PR-1660BA-STAR (50) |  | 61 | 67 | 70 |      |

Gold plated types are available options.

Note: When this type is used mounting direction of socket insert in plug shell shall be in reverse position against the triangle mark on plug shell.

## How to Use (Example)



## How to Use Right Angle Dip Soldering Connectors

Unit: mm

1. The standard use of this to mount it on the left side of a vertical PCB. (Fig. 1)

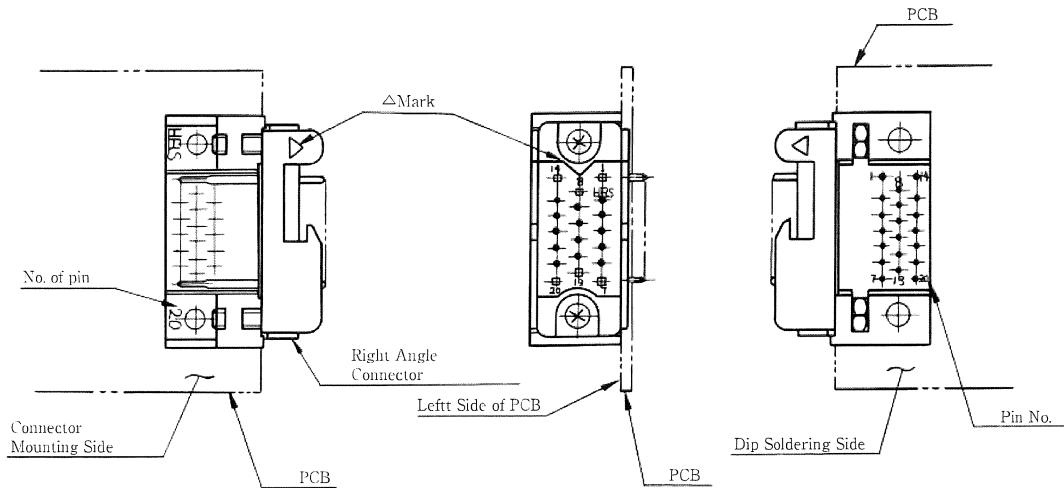


Fig. 1

2. It is possible to mount it on the right side of PCB but special caution is necessary to be opposite all pin locations on dip soldering surface. (Fig. 2)

Unit: mm

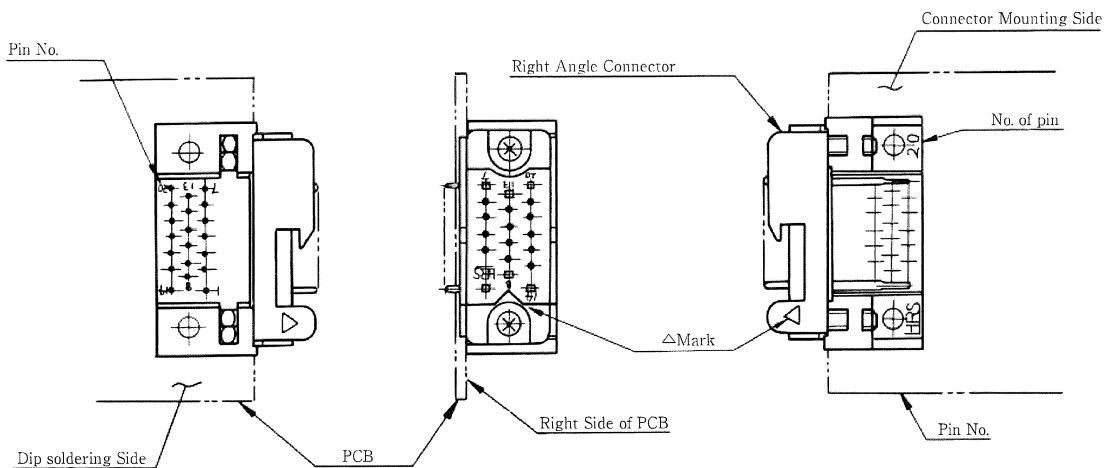


Fig. 2

3. When Top Touch Lock Type Plug Shell and Stopper Bracket are used with mounts on the right side of a PCB, not only the pin locations become opposite, but also the Lock Release Button and Cable Exit are

upside down.  
 So, the Reverse Mount Stopper Bracket is convenient in such case. (Fig. 3)

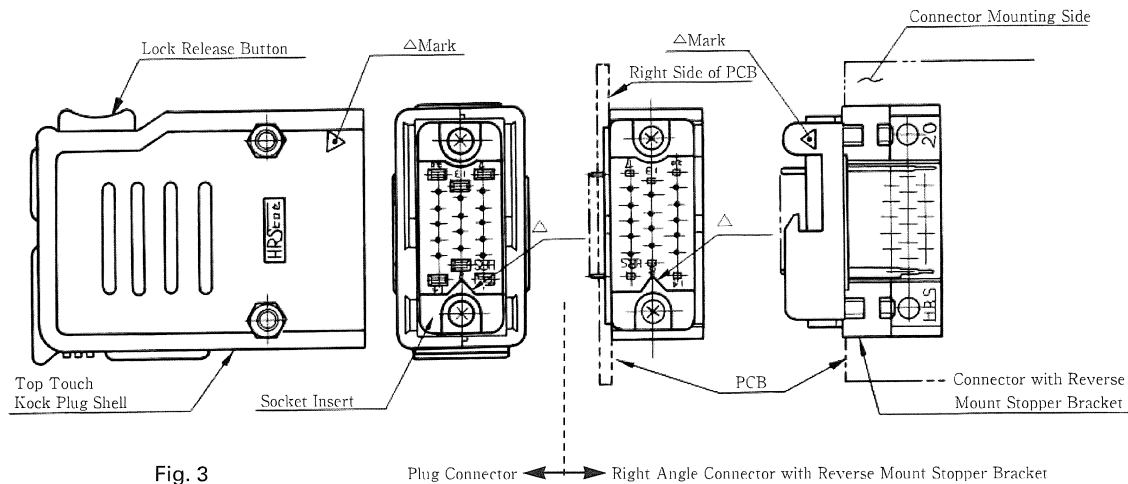


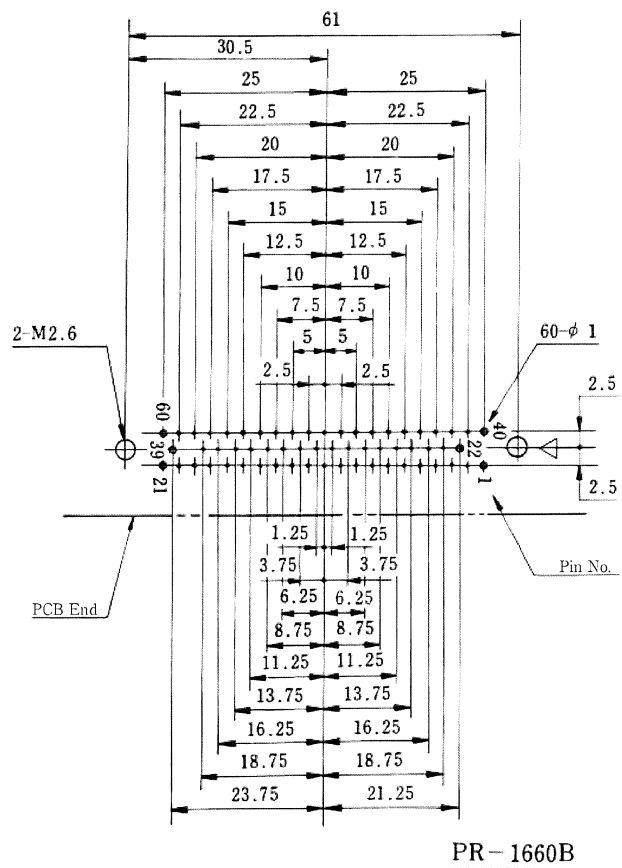
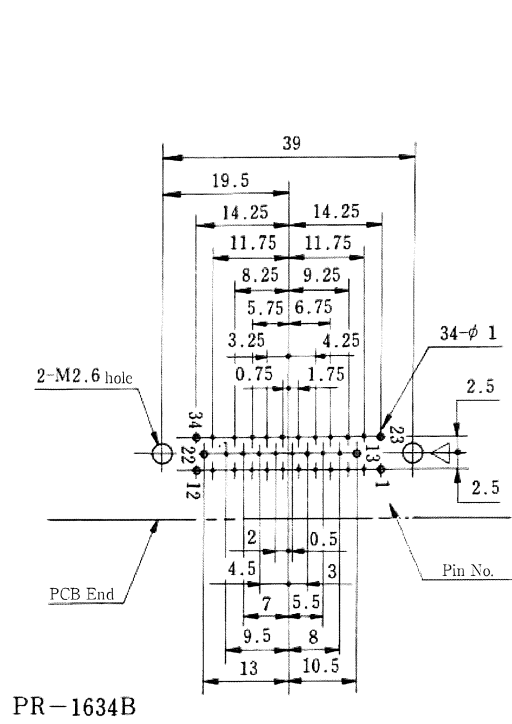
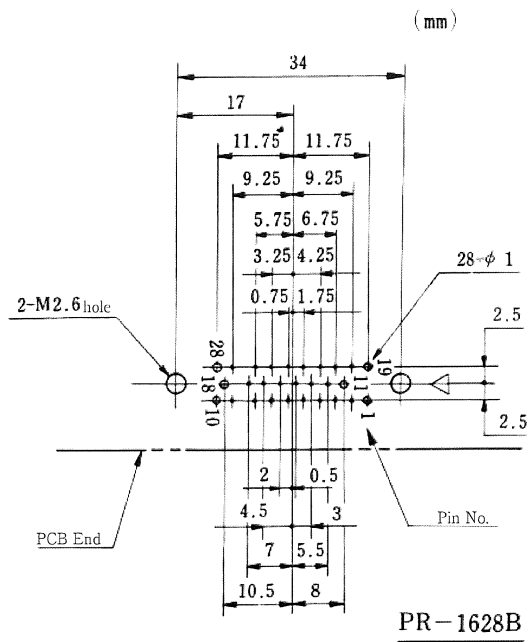
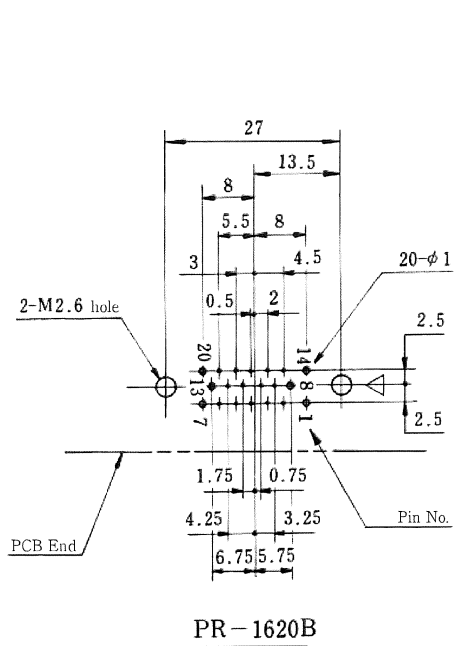
Fig. 3

4. M2.6 screws are recommended to mount Right Angle Dip Soldering Pin Connectors.
5. Please choose PC board thinner than 2.4mm.
6. In extracting plug connector, please pull it up straight out to prevent male pin from bending.
7. The standard plating is silver but gold is also an available option.
8. Note: The dip soldering pattern on PCB of Right Angle Type and Straight Type are different from each other.
9. Before using a solvent other than trichloroethylene, chlorosene, methanol, isopropanol, or ethylalcohol to wash soldered connectors, contact out engineering department.



## Recommended Dip Soldering Pattern

Unit: mm



Note 1. The triangle mark represents the position of the same mark on the connector unit.

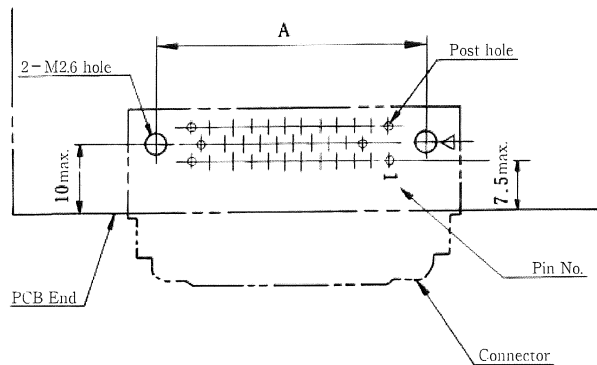
2. Above pattern is shown view direction of the connector mounting side.

The product information in this catalog is for reference only. Please request the Engineering Drawing for the most current and accurate design information.  
 All non-RoHS products have been discontinued, or will be discontinued soon. Please check the products status on the Hirose website RoHS search at [www.hirose-connectors.com](http://www.hirose-connectors.com), or contact your Hirose sales representative.

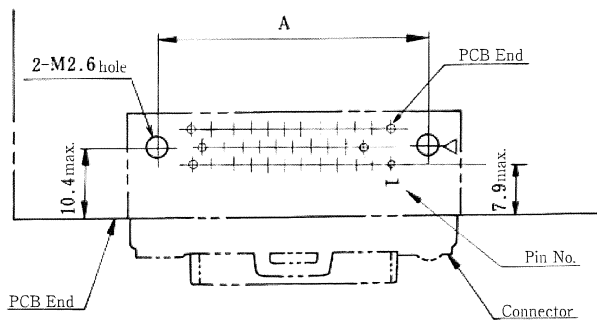
## Recommended Mounting Pattern

Unit: mm

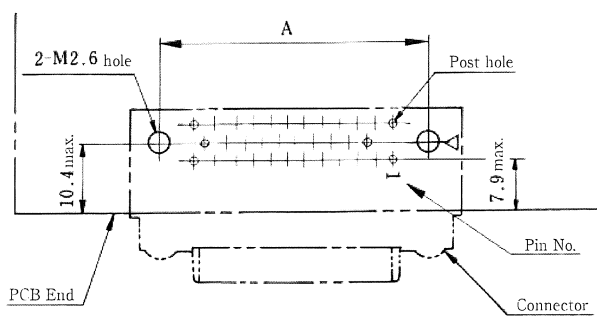
For insertion-soldering in the PCB, drill mounting holes as shown in the figure below.



With top-touch-lock type stopper bracket



With side-lock type stopper bracket



Connector Unit Type

| No. of pin | A  |
|------------|----|
| 20         | 27 |
| 28         | 34 |
| 34         | 39 |
| 60         | 61 |

The triangle mark represents the position of the same mark on the connector unit.

Above pattern is shown from view direction of the connector mounting side.

## Function Chart 2

