

MICRO SWITCH

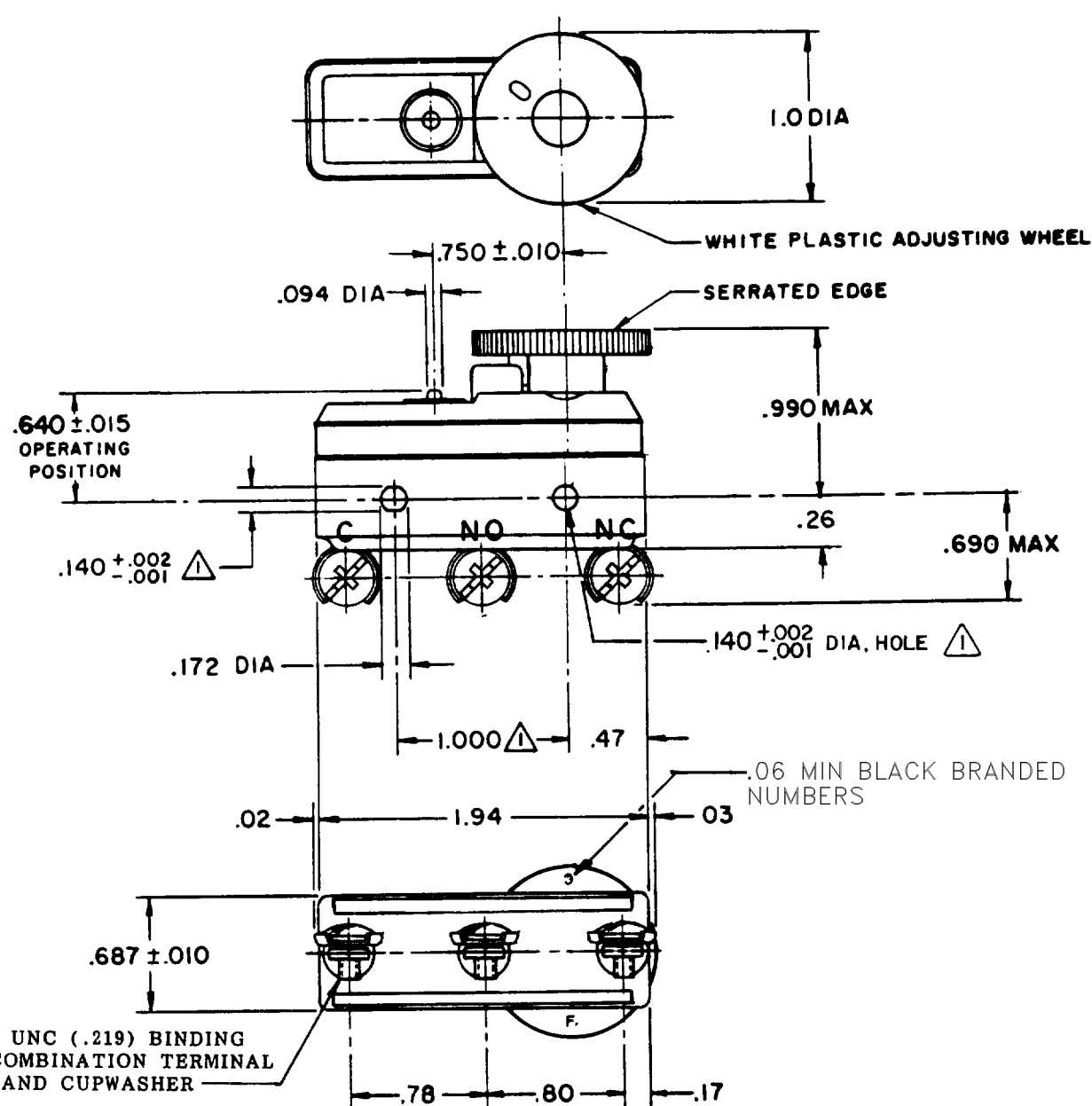
FREERPORT ILLINOIS, U.S.A.
A DIVISION OF HONEYWELL
FED. MFG. CODE 91929

SWITCH - BASIC

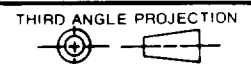
CATALOG LISTING

10BS217

FORMTEK
 DRAWN
 K SW 7 JAN 76
 CHECK USD
 8 JAN 76
 CHECK
 REVISIONS
 A C080053
 JALA
 5 APR 95
 ISSUE
 7
 DRAWING NUMBER
 M
 10BS217
 REPLACES
 PR - 5433
 RELEASE NO.



THIS DRAWING COVERS A PROPRIETARY ITEM AND IS THE PROPERTY OF MICRO SWITCH, A DIVISION OF HONEYWELL. THIS DRAWING IS NOT TO BE COPIED OR USED WITHOUT THE APPROVAL OF MICRO SWITCH.



CHARACTERISTICS

AT MIN SETTING
 OPERATING FORCE ----- 11-20 OZ
 RELEASE FORCE ----- 10 OZ MIN
 DIFFERENTIAL TRAVEL ----- .0015-.0025

AT MAX SETTING
 DIFFERENTIAL TRAVEL ----- .007 MIN
 OVERTRAVEL ----- .010 MIN

ELECTRICAL DATA

CONTACT ARRANGEMENT
 S P D T

L17
 20A 125, 250 OR 480 VAC
 3/4 HP 125 VAC, 1 1/2 HP 250 VAC



SCALE FULL

DO NOT SCALE PRINT

TOLERANCES

APPLY TO DESIGN UNITS. CONVERSIONS ARE ONLY FOR REFERENCE. UNLESS NOTED, TOLERANCES ARE ±

	DIM. mm	TOL. mm/in	DIM. in	TOL. mm/in
NO PLACES	X	1/04	X	0.8/03
ONE PLACE	X.X	0.4/018	X.X	0.38/015
TWO PLACES	X.XX	0.18/008	X.XX	0.13/005
THREE PLACES	X.XXX		X.XXX	

DESIGN UNITS SI METRIC US CUSTOMARY

WEIGHT