

Honeywell

SMALL PRECISION
LIMIT SWITCH

CATALOGUE LISTING
924CE SERIES

CHART I

MAX FREE LENGTH	FREE POS'N (F.P.)	OPERATING FORCE MAX		MAX SAFE POS'N (M.S.P)	OVER-TRAVEL MIN (O.T)	MAKE TO BREAK DIST (M)	BREAK TO MAKE DIST (M)	P.T. MAX (P.T.)	ISSUE	SWITCH TYPE
		KG.F.	NEWTONS							
59	17.1 ±0.4	2.3	22.5	13.1	1	0.7±0.5	2±0.5	2.2	5	924CE1-S
										924CE1-T
										924CE1-Y
72	29.9 ±0.4	2.3	22.5	25.9	1	0.7±0.5	2±0.5	2.2	5	924CE2-S
										924CE2-T
										924CE2-Y
72	29.9 ±0.4	2.3	22.5	25.9	1	0.7±0.5	2±0.5	2.2	5	924CE3-S
										924CE3-T
										924CE3-Y
86	43.9 ±0.4	2.3	22.5	39.9	1	0.7±0.5	2±0.5	2.2	5	924CE28-S
										924CE28-T
										924CE28-Y
86	43.9 ±0.4	2.3	22.5	39.9	1	0.7±0.5	2±0.5	2.2	5	924CE29-S
										924CE29-T
										924CE29-Y
78	35.7 ±0.4	2.6	25.5	31.7	1	0.7±0.5	2±0.5	2.2	5	924CE31-S
										924CE31-T
										924CE31-Y
78	35.7 ±0.4	2.6	25.5	31.7	1	0.7±0.5	2±0.5	2.2	5	924CE55-S
										924CE55-T
										924CE55-Y

924CE SERIES CHART I

REPLACES

DRAWING

ISSUE

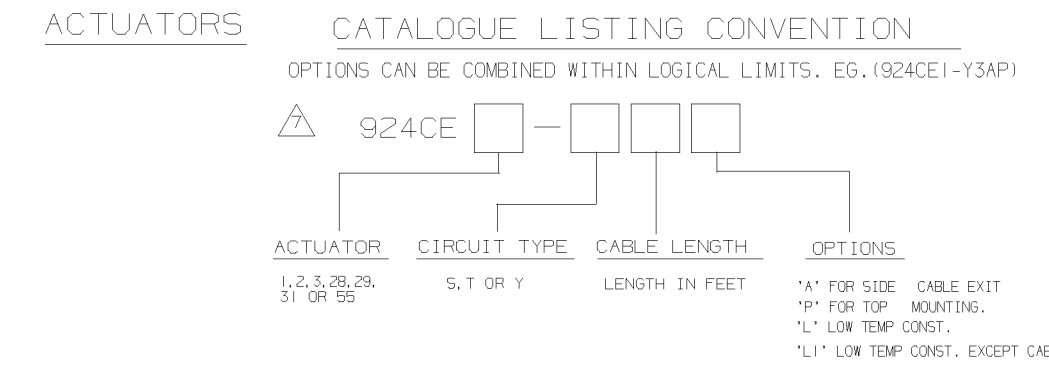
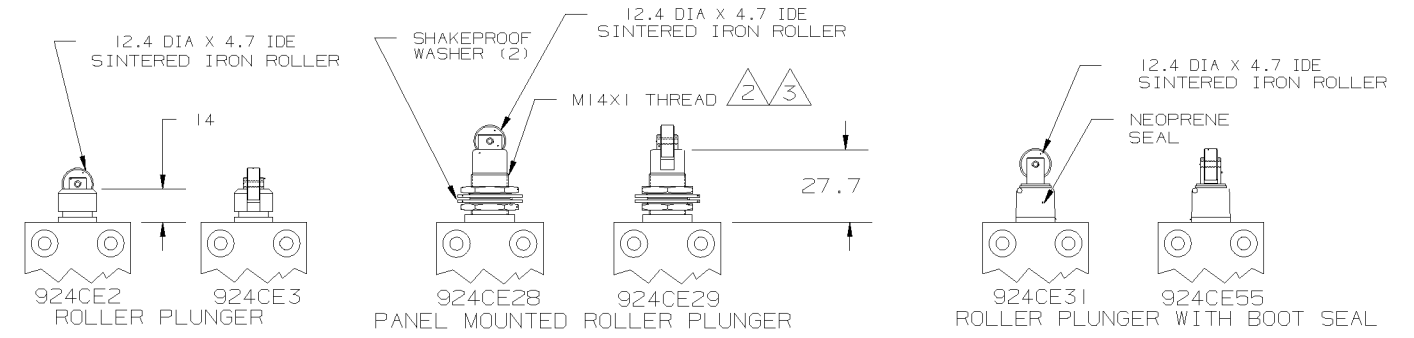
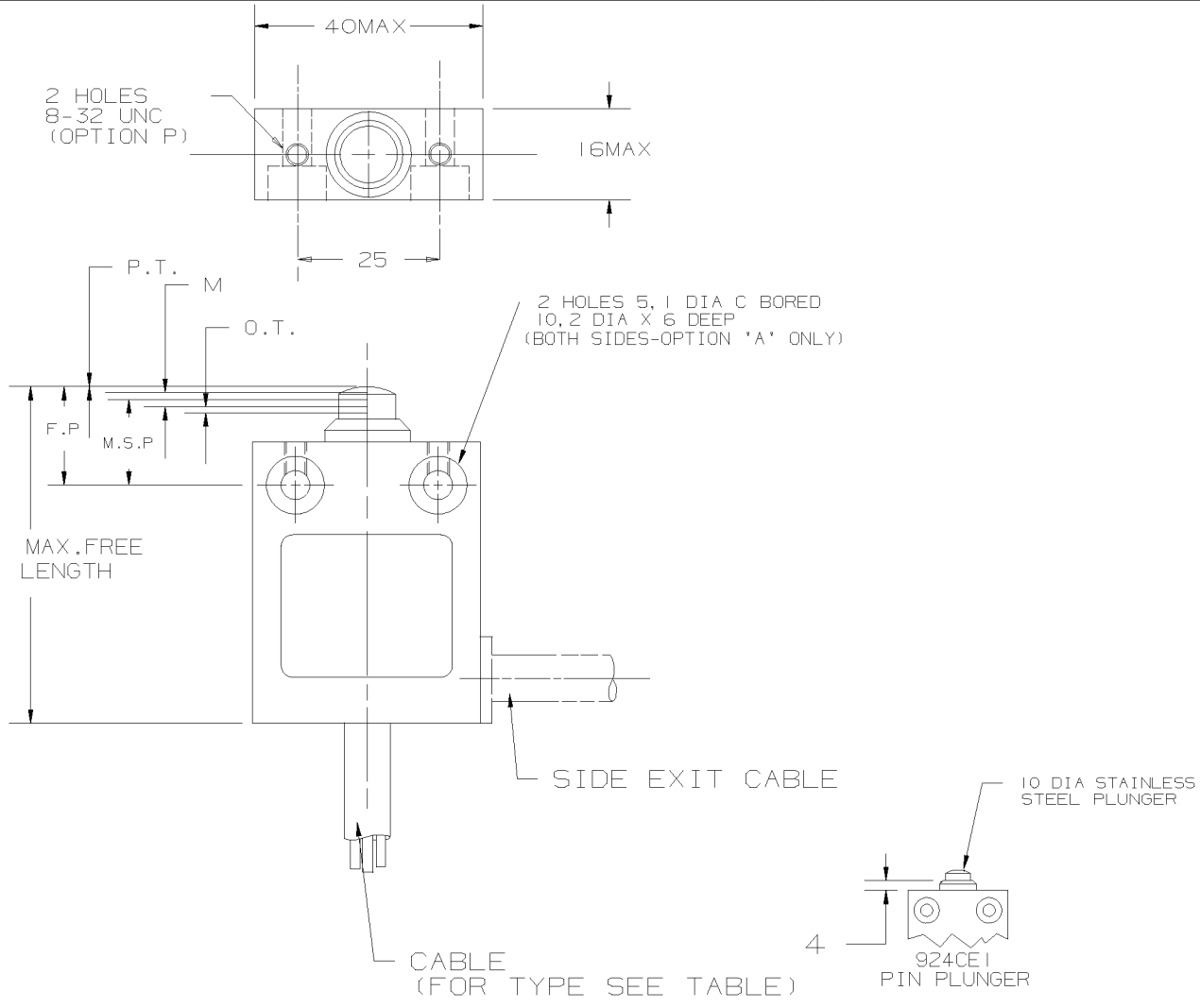
REVISIONS

6	MS11030
7	MS11185
8	CNI4484
31.1.90	ML
9	CNI6516
23.8.95	RA
10	CO-000206
1.12.97	ML

CHECK

TRACED

DRAWN P. CREECHAN



NOTES

1 : DIE-CAST HOUSING FINISHED IN RED PAINT

2 : SWITCH MOUNTS THROUGH A 14.5 DIA HOLE

3 : MAXIMUM PANEL THICKNESS = 4.2

4 : THE MINIMUM PLUNGER TRAVEL PAST BREAK FOR A SAFE CONTACT GAP IS 1.5MM (S & Y ONLY)

5 : TEMPERATURE RANGE :-
STANDARD CONSTRUCTION : 0°C to +70°C
LOW TEMP. CONSTRUCTION : -40°C to +70°C

6 : LOW TEMP. CABLE SILICONE SHEATHED

7 : ALL LOGICAL LISTINGS ARE IEC 947-5-1 APPROVED.

DIMENSIONS ARE IN (MM)

THE COPYRIGHT OF THIS DRAWING IS THE PROPERTY OF HONEYWELL LTD. THE DRAWING IS SUPPLIED IN CONFIDENCE AND MUST NOT BE USED FOR ANY PURPOSE OTHER THAN THAT FOR WHICH IT IS SUPPLIED.

THIRD ANGLE PROJECTION

CIRCUIT TYPE		ELECTRICAL RATING	CIRCUIT DIAGRAM	CABLE
S	BREAK BEFORE MAKE	10A-250 VAC 1/3 HP-125/250 VAC		5 X 18 AWG SJTO (UL APPROVED)
T	MAKE BEFORE BREAK			
Y	SINGLE THROW NORMALLY CLOSED	 10A-250 VAC 1/3 HP-125/250 VAC		3 X 18 AWG SJTO (UL/CSA APPROVED)

IEC 947-5-1
EN60947-5-1
AC15 B300
DC13 R300