

MICRO SWITCH

FREERPORT ILLINOIS U S A
A DIVISION OF HONEYWELL

FED. MFG CODE 91929

MOUNTING BARRIERS

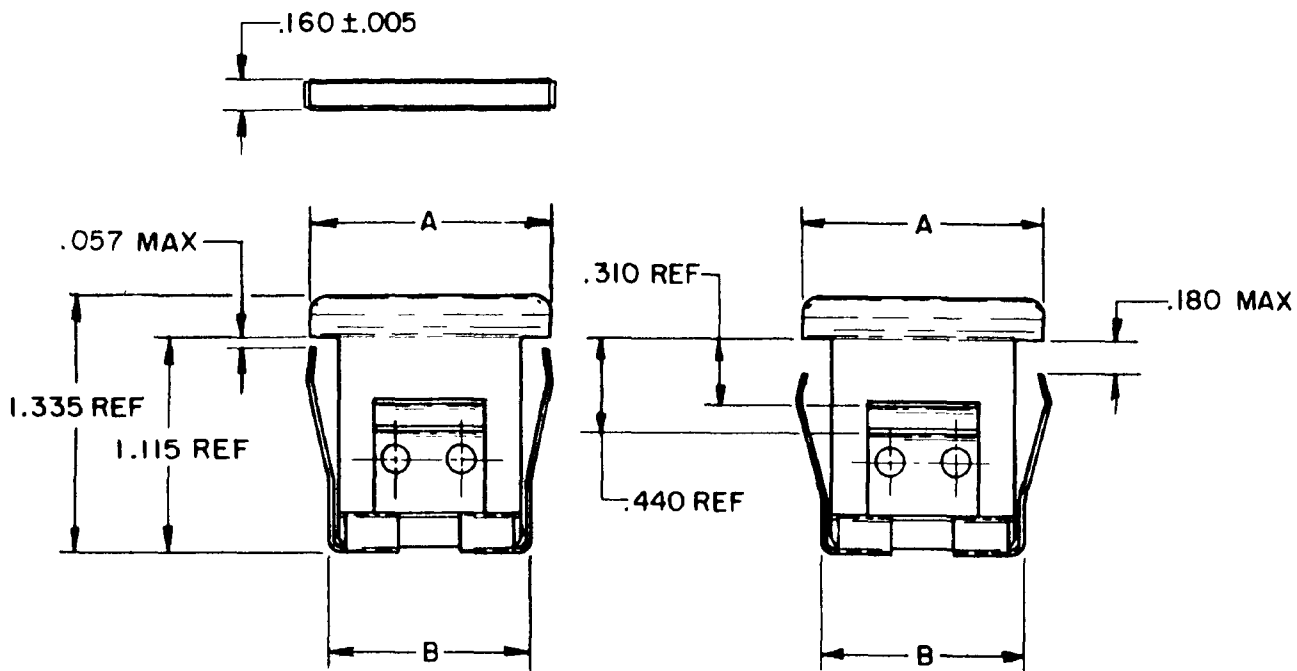
CATALOG LISTING

2B SERIES CHART 1

THIS DRAWING COVERS A PROPRIETARY ITEM AND IS THE PROPERTY OF MICRO SWITCH. A DIVISION OF HONEYWELL THIS DRAWING IS NOT TO BE COPIED OR USED WITHOUT THE APPROVAL OF MICRO SWITCH.

ISSUE 7

CATALOG LISTING
2B SERIES CHART 1
PAGE 1 OF 1
RELEASE NO. CO 13769 (PR)
REPLACES
DRAWING NUMBER
M
ISSUE
415
6118



TYPE 1

FOR PANEL .06-.19 THICKNESS

TYPE 2

FOR PANEL .19-.31 THICKNESS

REVISIONS

A	CO-82436 JALA 7 FEB 96
B	CO-83029 CSL 29 AUG 96
C	CO-93124 G J W 11 SEP 98
D	CO-95794 CSL 28 JAN 00
E	201724 G J W 14 NOV 00

CATALOG LISTINGS

MOUNTING

COLOR	SHORT - BARRIER A = 1.010 ± .030 B = .810 MAX			
	LONG - BARRIER A = 1.250 ± .030 B = 1.050 MAX			
	TYPE 1	TYPE 2	TYPE 1	TYPE 2
GRAY	2 B 1	2 B 5	2 B 2	(D)
BLACK	2 B 3	2 B 7	2 B 4	2 B 8
WHITE	2 B 10	2 B 12	(E)	(B)
RED	2 B 11	(C)	(D)	(A)
BLUE	(A)	(A)	(A)	(A)
BROWN			(A)	(A)
LIGHT BEIGE		(A)		
GREEN	2 B 48		(A)	
GRAY		(A)		
GREENISH-BLUE	(A)			
BLUE	(C)			

RASTER

DRAWN

RE R 19 SEP 67 CHECK L S D 19 SEP 67 CHECK