

MICRO SWITCH

FREEPORT ILLINOIS, U.S.A
A DIVISION OF HONEYWELL
FED. MFG. CODE 91929

MINIATURE PRECISION LIMIT SWITCH

924CE2-S3

924CE2-S3

M
DRAWING NUMBER

ISSUE X2

REVISIONS
A C069061
LJF
15 APR 91

FO-52848-A
DRAWN

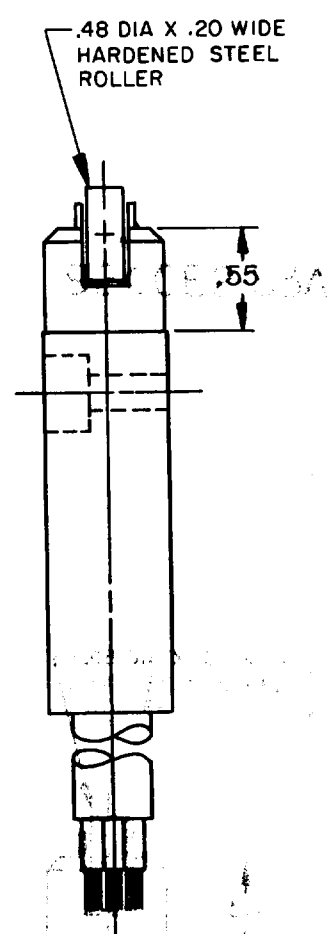
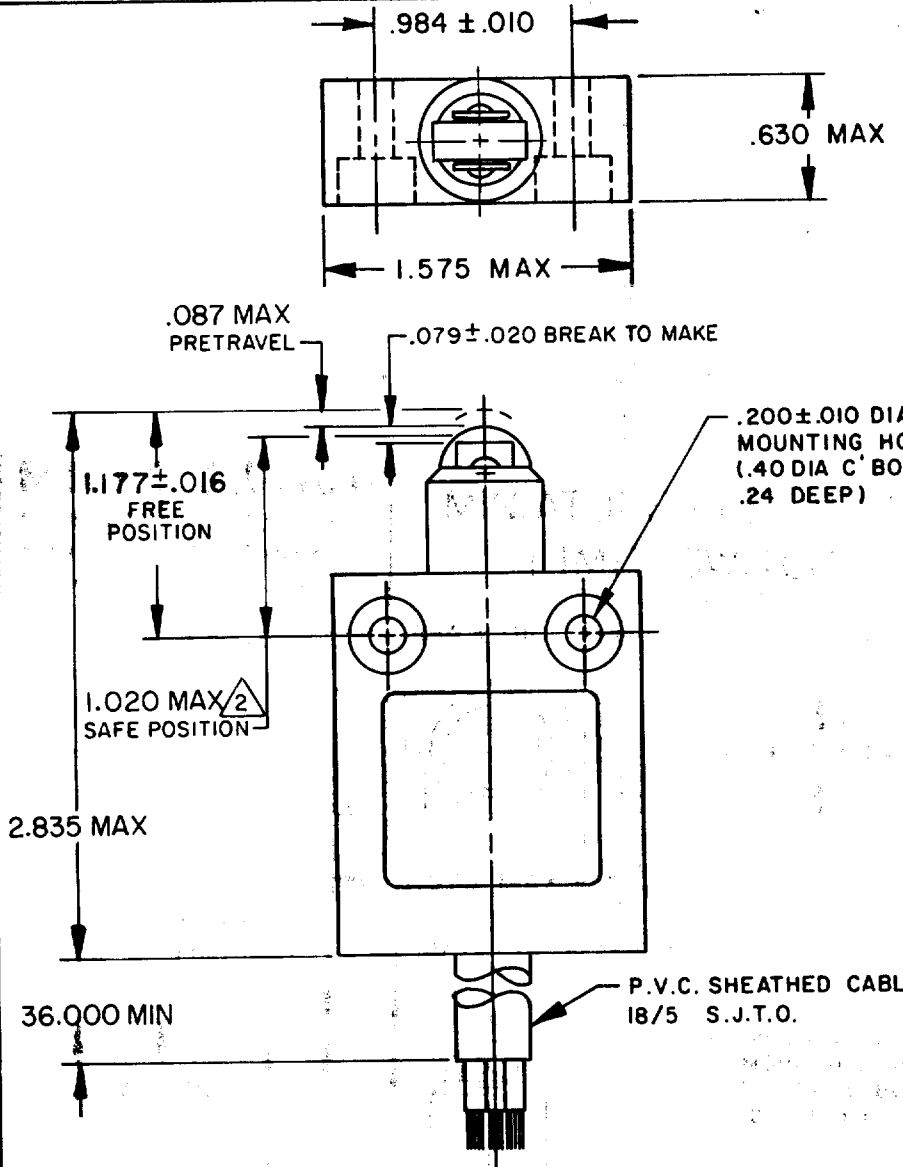
031 AUG 89
DRAWN

RELEASE NO. PR-14729 REPLACES

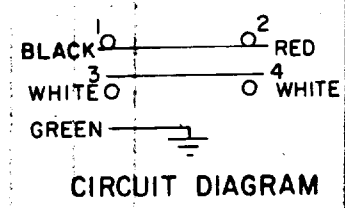
CHECK

CHECK

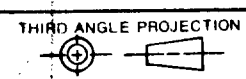
16 OCT 86 CHECK



- NOTES
- 1 - ZINC HOUSING FINISHED WITH GRAY PAINT
 - 2 THE MINIMUM PLUNGER TRAVEL PAST BREAK, FOR A SAFE CONTACT GAP IS .060
 - 3 - SWITCH PROVIDES BREAK BEFORE MAKE CIRCUITRY

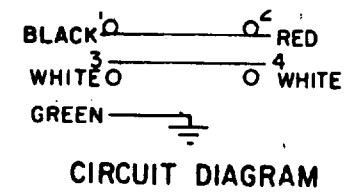


THIS DRAWING COVERS A PROPRIETARY ITEM AND IS THE PROPERTY OF MICRO SWITCH, A DIVISION OF HONEYWELL. THIS DRAWING IS NOT TO BE COPIED OR USED WITHOUT THE APPROVAL OF MICRO SWITCH.

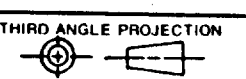


CHARACTERISTICS	ELECTRICAL DATA	SCALE FULL																									
		DO NOT SCALE PRINT																									
OPERATING FORCE ----- 5.1 LB MAX	CONTACT ARRANGEMENT S P D T D B	TOLERANCES																									
OVERTRAVEL ----- .039 MIN	10A - 250 VAC 1/3HP-125 OR 250 VAC RJ	APPLY TO DESIGN UNITS. CONVERSIONS ARE ONLY FOR REFERENCE. UNLESS NOTED, TOLERANCES ARE ±																									
		<table border="1"> <thead> <tr> <th></th> <th>DIM. mm</th> <th>TOL. mm/in</th> <th>DIM. in</th> <th>TOL. mm/in</th> </tr> </thead> <tbody> <tr> <td>NO PLACES</td> <td>X</td> <td>1/.04</td> <td>X.X</td> <td>0.01/0.05</td> </tr> <tr> <td>ONE PLACE</td> <td>X.X</td> <td>0.4/.016</td> <td>X.XX</td> <td>0.38/.01</td> </tr> <tr> <td>TWO PLACES</td> <td>X.XX</td> <td>0.19/.008</td> <td>X.XXX</td> <td>0.19/.005</td> </tr> <tr> <td>THREE PLACES</td> <td>X.XXX</td> <td></td> <td>X.XXXX</td> <td></td> </tr> </tbody> </table>		DIM. mm	TOL. mm/in	DIM. in	TOL. mm/in	NO PLACES	X	1/.04	X.X	0.01/0.05	ONE PLACE	X.X	0.4/.016	X.XX	0.38/.01	TWO PLACES	X.XX	0.19/.008	X.XXX	0.19/.005	THREE PLACES	X.XXX		X.XXXX	
	DIM. mm	TOL. mm/in	DIM. in	TOL. mm/in																							
NO PLACES	X	1/.04	X.X	0.01/0.05																							
ONE PLACE	X.X	0.4/.016	X.XX	0.38/.01																							
TWO PLACES	X.XX	0.19/.008	X.XXX	0.19/.005																							
THREE PLACES	X.XXX		X.XXXX																								
		DESIGN UNITS <input type="checkbox"/> METRIC <input checked="" type="checkbox"/> US CUSTOMARY																									
		WEIGHT																									

- 2 THE MINIMUM PLUNGER TRAVEL PAST BREAK, FOR A SAFE CONTACT GAP IS .060
- 3 - SWITCH PROVIDES BREAK BEFORE MAKE CIRCUITRY
- 4 - SIDE EXIT CABLE



THIS DRAWING COVERS A PROPRIETARY ITEM AND IS THE PROPERTY OF MICRO SWITCH, A DIVISION OF HONEYWELL. THIS DRAWING IS NOT TO BE COPIED OR USED WITHOUT THE APPROVAL OF MICRO SWITCH.



CHARACTERISTICS	ELECTRICAL DATA	SCALE FULL												
		DO NOT SCALE PRINT												
OPERATING FORCE ----- 5.1 LB MAX	CONTACT ARRANGEMENT S P D T D B	TOLERANCES												
OVERTRAVEL ----- .039 MIN	10A - 250 VAC 1/3HP-125 OR 250 VAC RJ	UNLESS OTHERWISE SPECIFIED TOLERANCES ARE												
		<table border="1"> <tbody> <tr> <td>ONE PLACE</td> <td>(.0)</td> <td>± .030</td> </tr> <tr> <td>TWO PLACE</td> <td>(.00)</td> <td>± .015</td> </tr> <tr> <td>THREE PLACE</td> <td>(.000)</td> <td>± .005</td> </tr> <tr> <td>ANGLES</td> <td></td> <td>±</td> </tr> </tbody> </table>	ONE PLACE	(.0)	± .030	TWO PLACE	(.00)	± .015	THREE PLACE	(.000)	± .005	ANGLES		±
ONE PLACE	(.0)	± .030												
TWO PLACE	(.00)	± .015												
THREE PLACE	(.000)	± .005												
ANGLES		±												