

**MICRO SWITCH**FREEPORT ILLINOIS U S A  
A DIVISION OF HONEYWELL

FED MFG CODE 91929

**PACKET**

CATALOG LISTING

**12PA5****SERIES CHART 1**

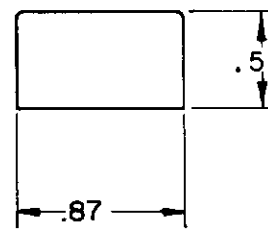
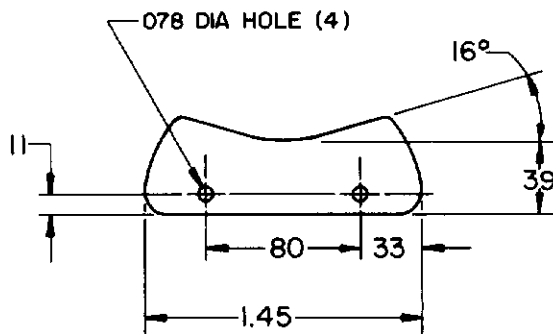
THIS DRAWING COVERS A PROPRIETARY ITEM AND IS THE PROPERTY OF MICRO SWITCH A DIVISION OF HONEYWELL THIS DRAWING IS NOT TO BE COPIED OR USED WITHOUT THE APPROVAL OF MICRO SWITCH

LISTING	COLOR
12PA5-W	1-17 WHITE
12PA5-R	1-2 RED
12PA5-Y	1-18 YELLOW
12PA5-BK	1-7 BLACK
12PA5-G	1-36 GREEN
12PA5-BL	1-5 BLUE

CATALOG LISTING  
**12PA5 SERIES CHART 1**  
 PAGE 1 OF 1  
 RELEASE NO CO-78465  
 REPLACES  
 CHART 1

**M**  
 ISSUE  
 1

REVISIONS  
 CHECK  
 23 JUN 94  
 KAG  
 CHECK  
 10 JUN 94



## NOTE-

- 1 - MATERIAL-OPAQUE MODIFIED STYRENE  
 2 - ACTUATOR BUTTON FOR USE WITH "TP" SERIES SWITCHES

DRAWN

LJF 10 JUN 94