

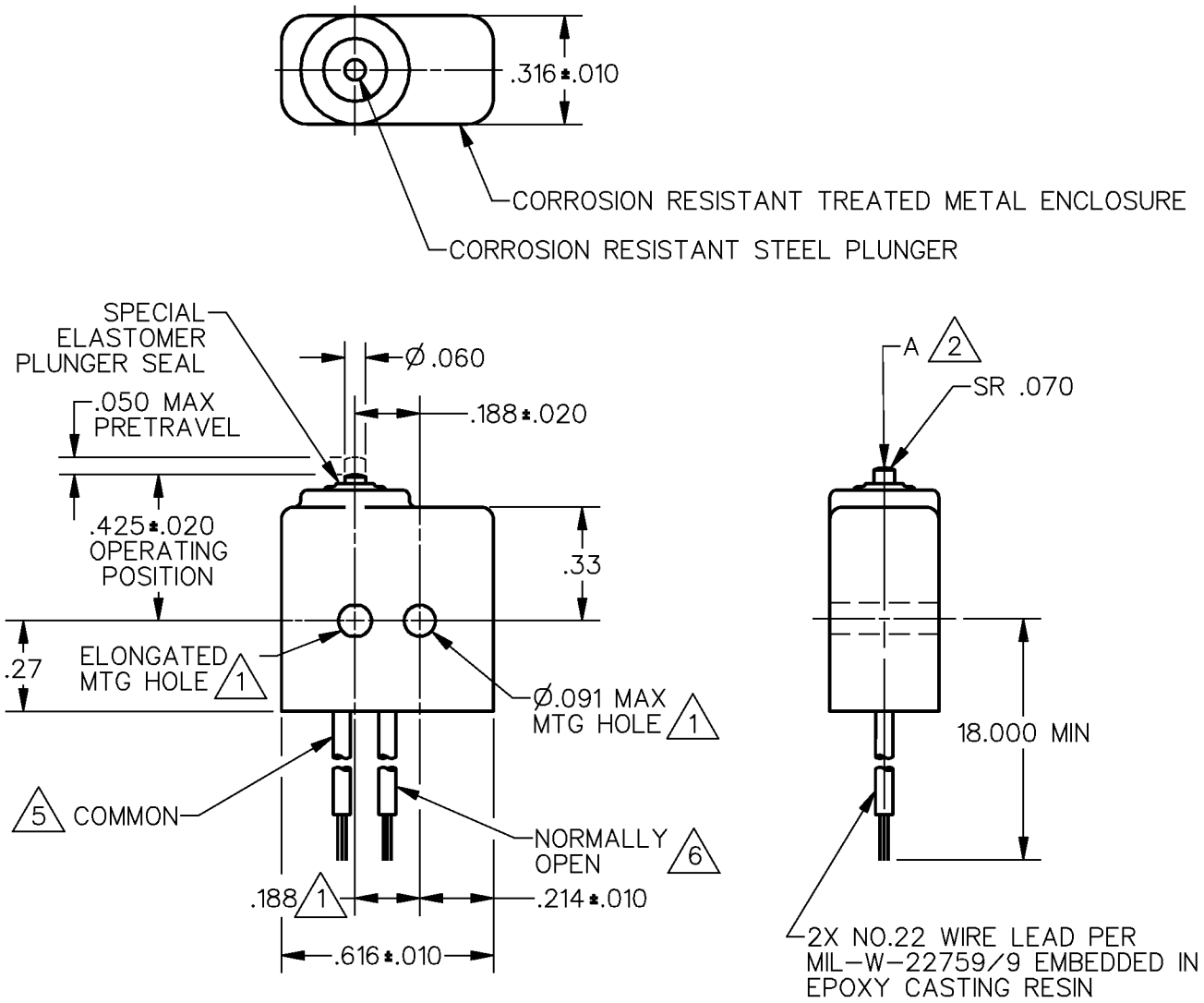
MICRO SWITCH
a Honeywell Division

SWITCH-BASIC

CATALOG LISTING
14XE24

FED. MFG. CODE 91 929

CATALOG LISTING
14XE24
PAGE 1 OF 1
REPLACES
RELEASE NO. PR-18274
ISSUE
M
7

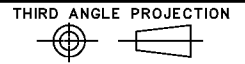


2X NO.22 WIRE LEAD PER MIL-W-22759/9 EMBEDDED IN EPOXY CASTING RESIN

NOTES

- ① MOUNTING HOLES WILL ACCEPT $\phi .087$ MAX PINS OR SCREWS ON $.188 \pm .002$ CENTERS
- ② ACTUATION IN LINE WITH ARROW "A" IS RECOMMENDED
- ③ WEIGHT OF SWITCH ONLY IS .16 OZ MAX. WEIGHT OF SWITCH WITH WIRE LEADS IS .32 OZ MAX
- 4 - FOR USE IN TEMPERATURE RANGE FROM -65°F TO $+300^{\circ}\text{F}$
- ⑤ WIRE LEAD MARKED PER MIL-W-5088 AS FOLLOWS: COMMON -22
- ⑥ WIRE LEAD MARKED PER MIL-W-5088 AS FOLLOWS: OPEN -22
- 7 - FLAT SPRING SX CONSTRUCTION

THIS DRAWING COVERS A PROPRIETARY ITEM AND IS THE PROPERTY OF MICRO SWITCH, A DIVISION OF HONEYWELL. THIS DRAWING IS NOT TO BE COPIED OR USED WITHOUT THE APPROVAL OF MICRO SWITCH.



CHARACTERISTICS	ELECTRICAL DATA	SCALE	DO NOT SCALE PRINT
OPERATING FORCE — — — — 10 OZ MAX	CONTACT ARRANGEMENT S P N O	2 : 1	
RELEASE FORCE — — — — 2 OZ MIN	28 VOLTS DC RATING	UNLESS OTHERWISE SPECIFIED TOLERANCES ARE	
RELEASE TRAVEL — — — — .004 MIN		ONE PLACE (.0) ±.030	
DIFFERENTIAL TRAVEL — — — .001 - .005	INDUCTIVE — — — SEA LEVEL-3 AMP	TWO PLACE (.00) ±.015	
OVERTRAVEL — — — — .004 MIN	RESISTIVE — — — SEA LEVEL-5 AMP	THREE PLACE (.000) ±.005	
	50,000 FT-2 AMP	ANGLES ±	
	50,000 FT-4 AMP	WEIGHT ③	

REVISIONS

A	CO-70396	S A V	18 MAY 91
B	DBS DWG CO76001	C S L	28 JUL 93
C	REINST CO79228	J J A	20 DEC 94
D	CO-94282	J J A	10 MAR 99
E	0009442	PM	09 DEC 04

CHECK
20 MAY 91
TSM
CHECK
18 MAY 91
SAV
DRAWN
DDM/CAD