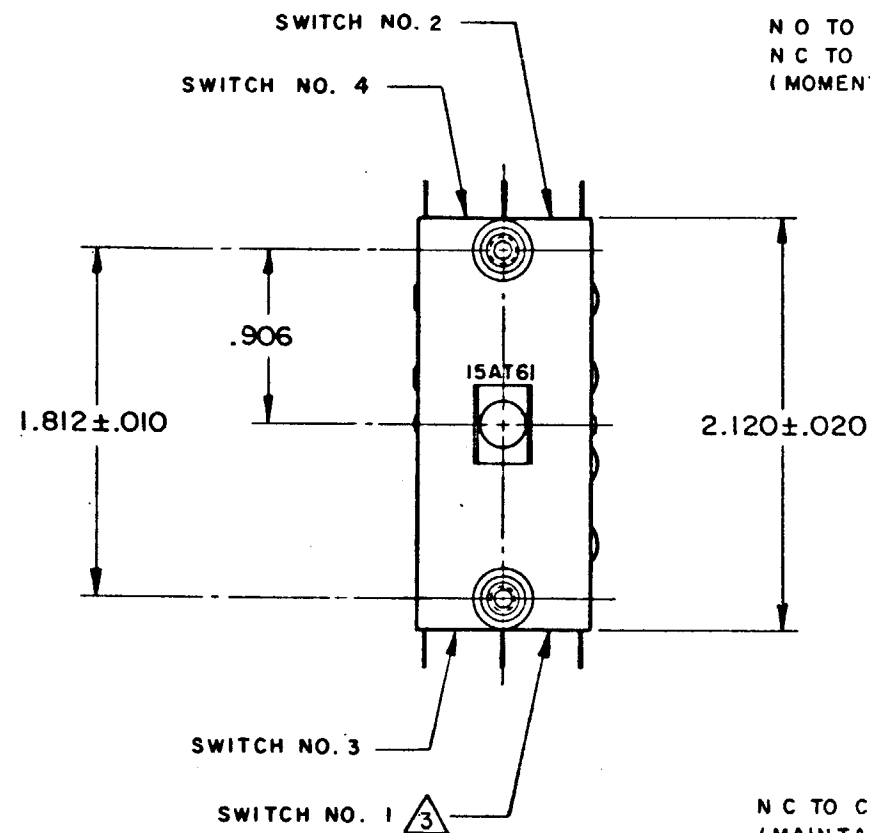
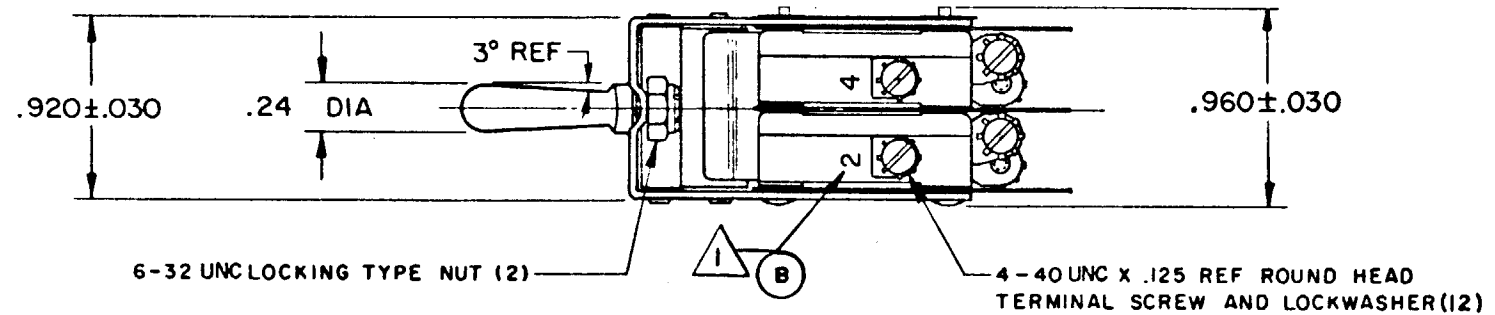


**MICRO SWITCH**

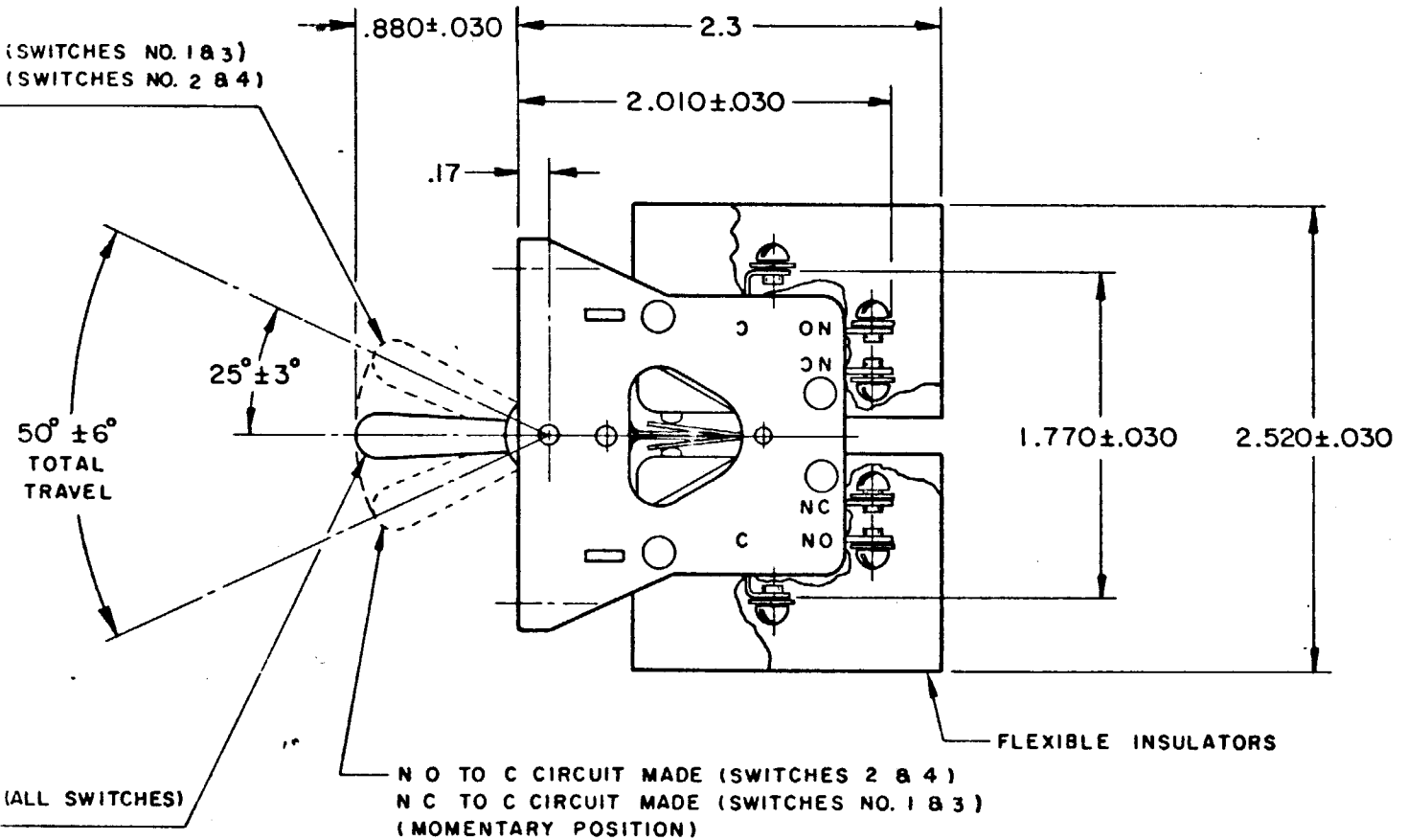
A DIVISION OF MINNEAPOLIS-HONEYWELL REGULATOR COMPANY  
MINNEAPOLIS, MINNESOTA  
FED. MFR. CODE 91929

# ASSEMBLY - TOGGLE SWITCH

CATALOG LISTING  
**15AT61**



NO TO C CIRCUIT MADE (SWITCHES NO. 1 & 3)  
 NC TO C CIRCUIT MADE (SWITCHES NO. 2 & 4)  
 (MOMENTARY POSITION)



NC TO C CIRCUITS MADE (ALL SWITCHES)  
 (MAINTAINED POSITION)

NO TO C CIRCUIT MADE (SWITCHES 2 & 4)  
 NC TO C CIRCUIT MADE (SWITCHES NO. 1 & 3)  
 (MOMENTARY POSITION)

**NOTE -**

- 1 - BASIC SWITCH NO. INK STAMPED ON EACH BASIC SWITCH AND COVERED WITH CLEAR LACQUER
- 2 - UNIT INCLUDES CAT. LIST. V3-201 (3) AND CAT. LIST. V3-1375 (1) BASIC SWITCHES
- 3 - CONTACT MATERIAL-GOLD ALLOY
- 4 - SWITCHES DO NOT OPERATE SIMULTANEOUSLY

M 15AT61  
 DRAWING NUMBER  
 ISSUE 7  
 REVISIONS  
 A CORR 27 JUL 63  
 B MADE ETS 29 NOV 63  
 C SR12410 15 AUG 66  
 D CO 48043 14 JULY 80  
 E CO59602 8 AUG 86  
 F 0003488  
 TRF 26FEB04  
 RELEASE NO. ETS SR12410  
 CHECK 29 APR 63  
 CHECK 29 APR 63  
 CHECK 29 APR 63  
 CHECK 26 APR 63  
 DRAWN  
 RASTER  
 FO-80378-003

THIS DRAWING COVERS A PROPRIETARY ITEM AND IS THE PROPERTY OF MICRO SWITCH, A DIVISION OF MINNEAPOLIS-HONEYWELL REGULATOR CO. THIS DRAWING IS NOT TO BE COPIED OR USED WITHOUT THE APPROVAL OF MICRO SWITCH.

CHARACTERISTICS	ELECTRICAL DATA	SCALE FULL
OPERATING FORCE ----- 3-8 LBS	CONTACT ARRANGEMENT S P D T (4)	DO NOT SCALE PRINT
	SWITCH NO 1 28 VDC INDUCTIVE ----- 1/2 AMP RESISTIVE ----- 1 AMP SWITCHES NO. 2, 3, 4 15A-1/3 HP-125 OR 250 VAC 1/2 A - 125 VDC; 1/4 A - 250 VDC	UNLESS OTHERWISE SPECIFIED DIMENSIONS ARE IN INCHES <b>TOLERANCES ARE:</b> ONE PLACE (.0) ±.030 TWO PLACE (.00) ±.018 THREE PLACE (.000) ±.008 ANGLES ±
		WEIGHT .26 LB APPROX