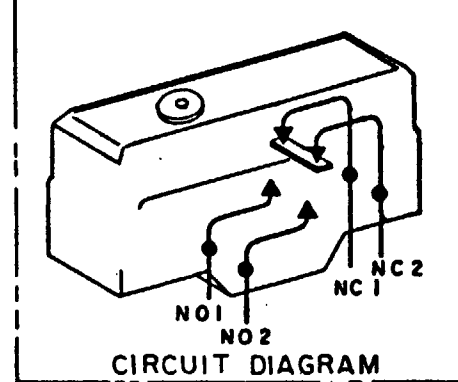


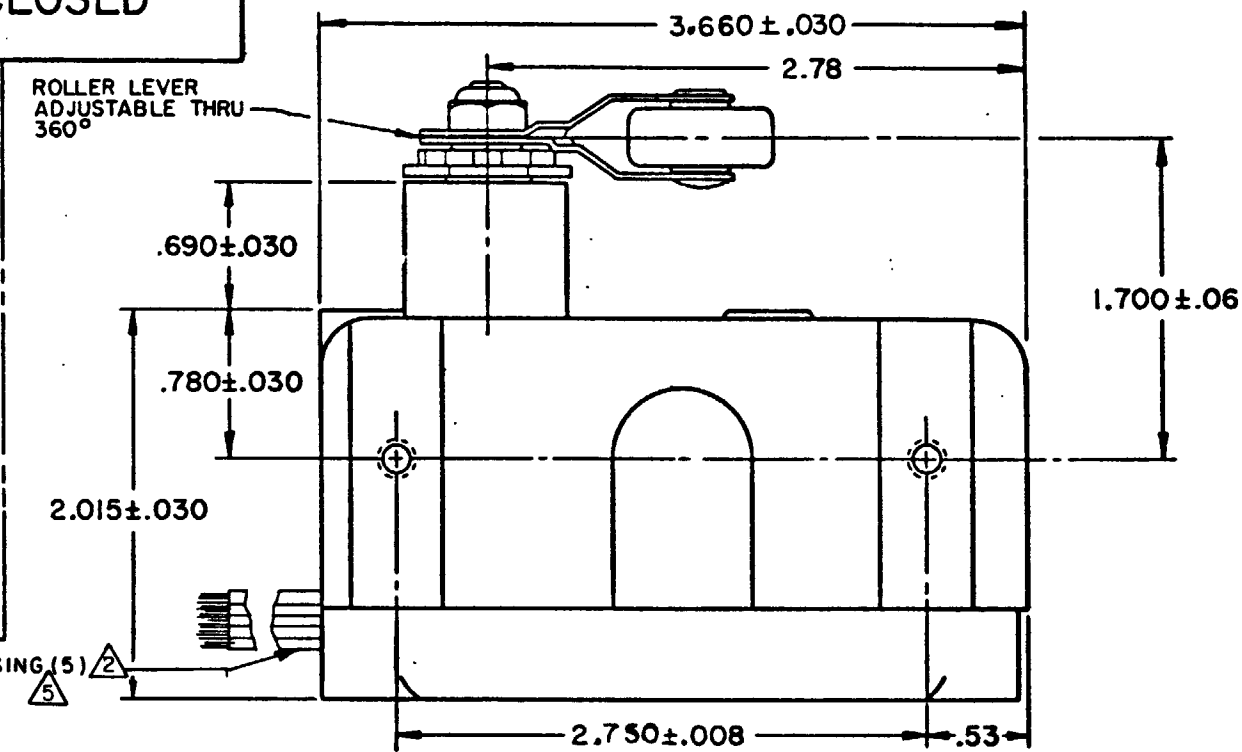
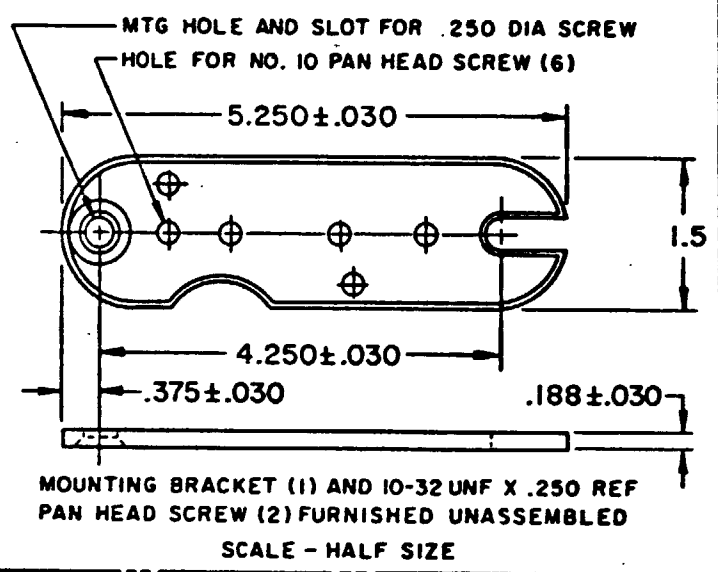
MICRO SWITCH
 FREEPORT ILLINOIS U.S.A
 A DIVISION OF HONEYWELL
 FED. MFG. CODE 91929

SWITCH-ENCLOSED

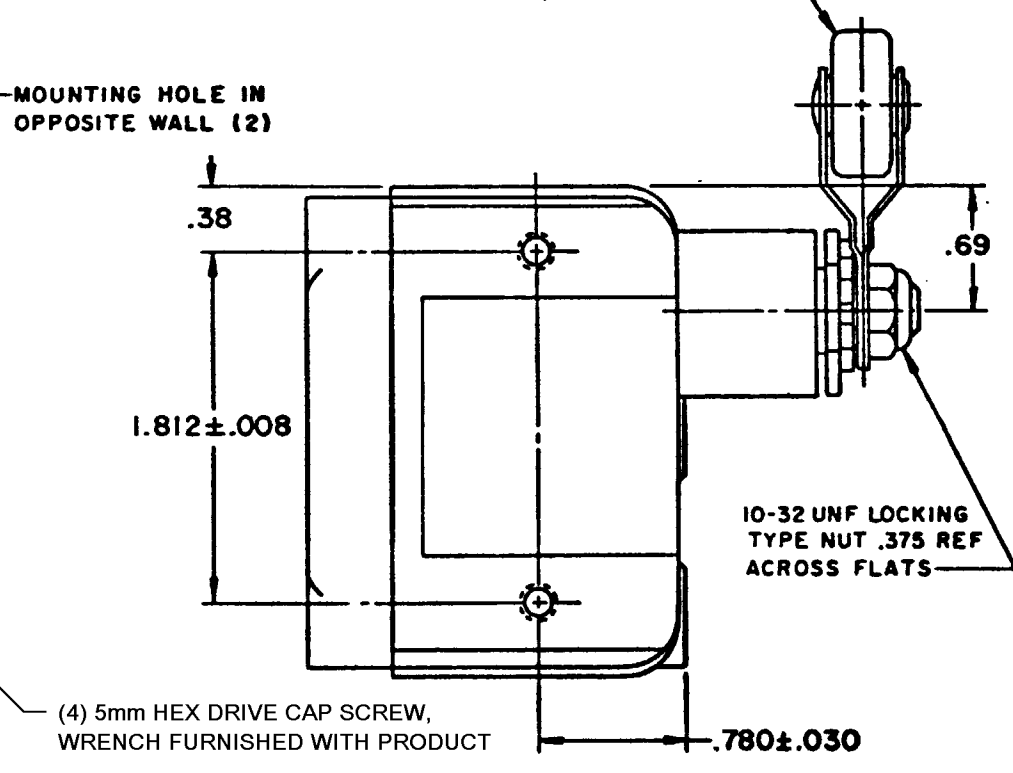
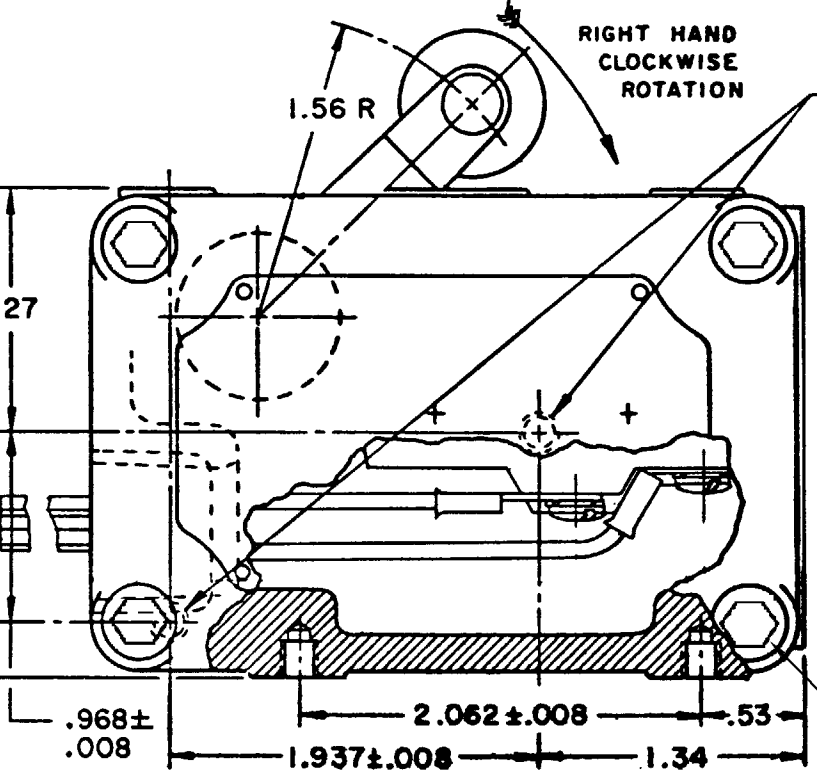
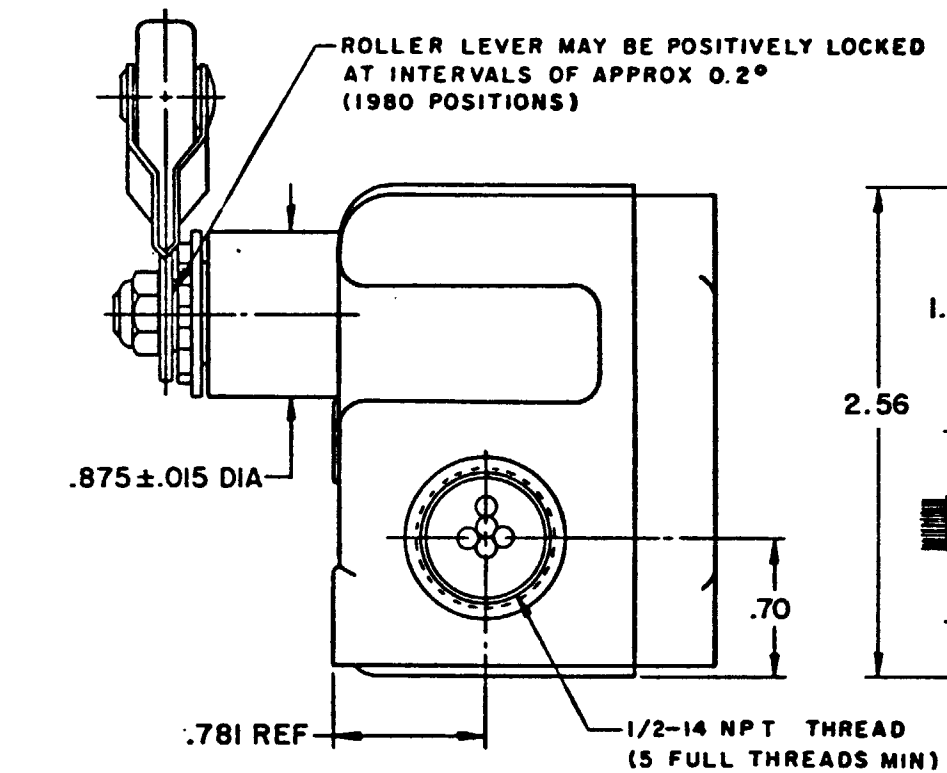
CATALOG LISTING
EX-AR471-15



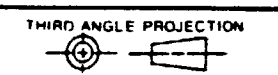
EX-AR471-15
 M
 DRAWING NUMBER
 ISSUE 3
 REVISIONS
 A CO73019 MAM 19 SEP 92
 B 0012750 KSR 26 APR 05
 CHECK 26 APR 05
 AK
 CHECK 88
 GRT 7 DEC 88
 CHECK 88
 TSK 5 DEC 88
 DRAWN
 FO-92851-A
 RASTER



.750 REF DIA X .312 REF WIDE
 ROLLER MADE OF NON-SPARKING
 WEAR RESISTANT MATERIAL



THIS DRAWING COVERS A PROPRIETARY ITEM AND IS THE PROPERTY OF MICRO SWITCH, A DIVISION OF HONEYWELL. THIS DRAWING IS NOT TO BE COPIED OR USED WITHOUT THE APPROVAL OF MICRO SWITCH.



SCALE FULL

DO NOT SCALE PRINT

TOLERANCES			
APPLY TO DIMEN UNITS	CONFORMING UNITS ONLY FOR REFERENCE UNLESS NOTED OTHERWISE USE 2	UNLESS NOTED OTHERWISE USE 2	UNLESS NOTED OTHERWISE USE 2
NO PLACES	0.001	0.001	0.001
ONE PLACE	0.001	0.001	0.001
TWO PLACES	0.001	0.001	0.001
THREE PLACES	0.001	0.001	0.001

DESIGN UNITS

RAW MATERIAL - COMMERCIAL SPECIFICATIONS

MICRO SWITCH STANDARDS APPLY

DIMENSIONS ARE TO BE MET BEFORE PROTECTIVE COATINGS ARE APPLIED

WEIGHT

- NOTES
- MOUNTING SCREW HOLES, 10-32 UNF-2B THREADS X .219 REF. DEEP (8)
 - LEAD WIRES 105°C MAX
 - SUITABLE ONLY FOR APPLICATIONS IMPARTING A RAPID STROKE TO THE SWITCH ROLLER
 - EXPLOSION PROOF-UNDERWRITER'S LAB INC LISTING FOR HAZARDOUS LOCATIONS, NEMA 7, CLASS I, GROUP C & D, NEMA 9, CLASS II, GROUPS E, F, & G
 - N.O. LEADS - BLUE
N.C. LEADS - RED
GROUND LEAD - GREEN
 - SEAL RATING: NEMA 1

CHARACTERISTICS	ELECTRICAL DATA
OPERATING FORCE ----- 12-24 OZ	CONTACT ARRANGEMENT SEE CIRCUIT DIAGRAM
RELEASE FORCE ----- 4 OZ MIN	 15A-125,250 OR 480 VAC 1A-125 VDC; 0.5A-250 VDC 1/4 HP-125 VAC; 1/2 HP-250 VAC CODE L73
PRETRAVEL ----- 8° (.219 MAX)	
DIFFERENTIAL TRAVEL - 3/4" (.021 MAX)	
OVERTRAVEL ----- DO NOT OVERTRAVEL MORE THAN 90°	