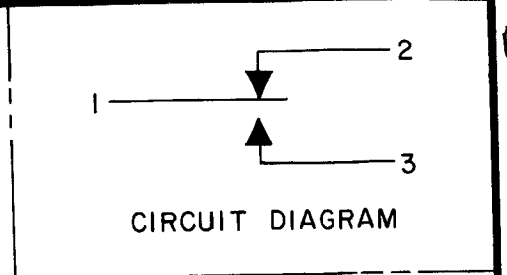


MICRO SWITCH
 FREEPORT, ILLINOIS, U.S.A.
 A DIVISION OF HONEYWELL
 FED. MFG. CODE 91929

SWITCH-ENCLOSED

CATALOG LISTING
1EN254-RB



FO-52851-A

DRAWN

J M 10 APR 79

CHECK

C E B 24 APR 79

CHECK

REVISIONS

A	CO44351 PART 7	WJM	11 APR 79
B	CO70846	TSM	16 AUG 91
C	CO79633	JAK	23 JAN 95

ISSUE

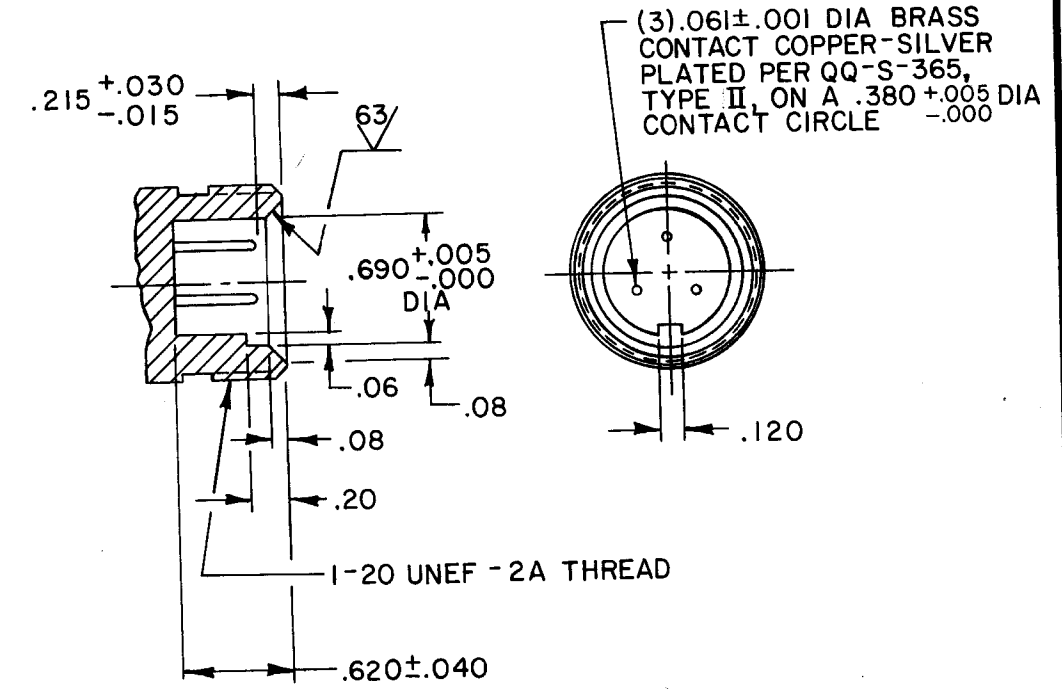
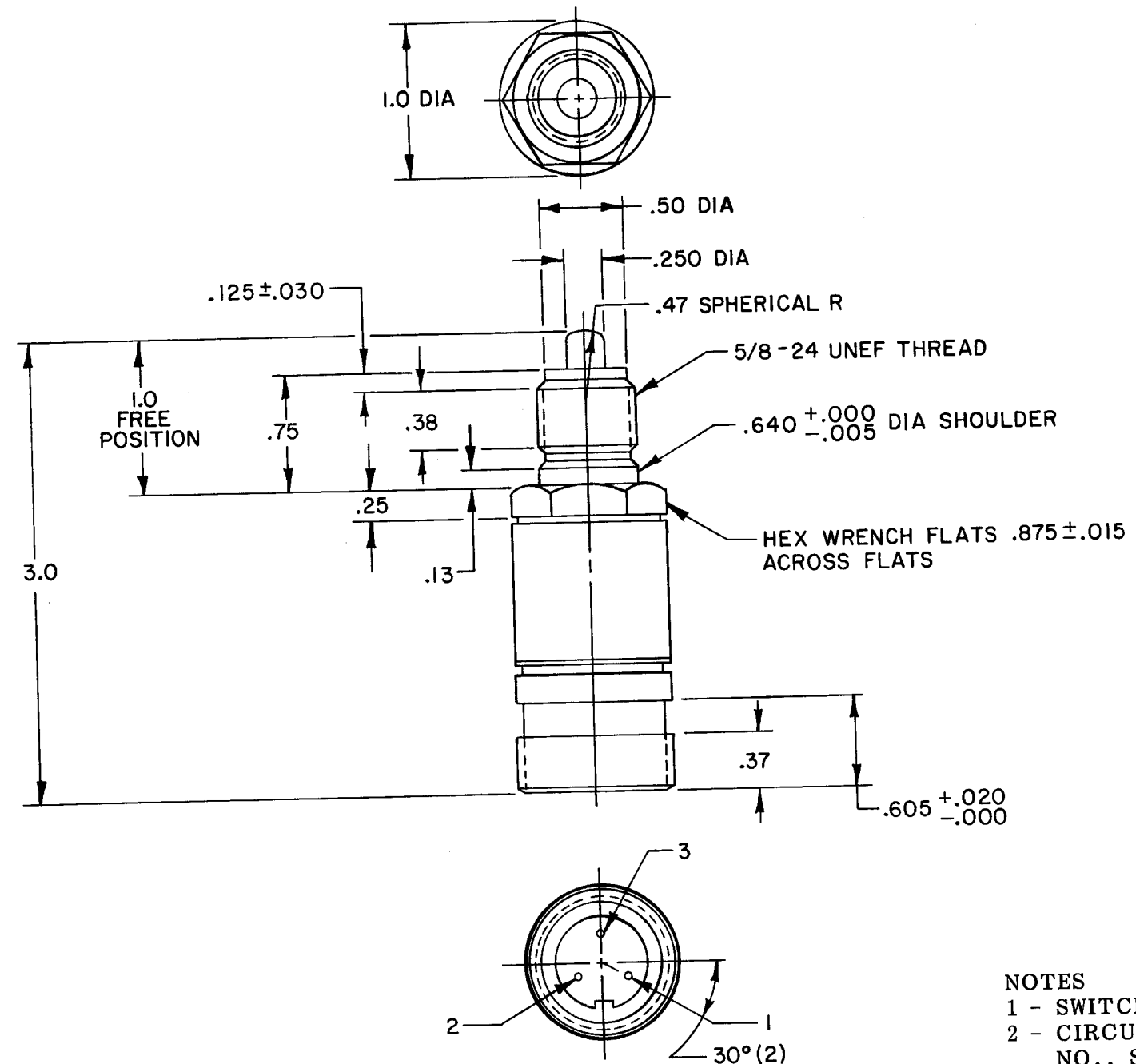
DRAWING NUMBER

M 1EN254-RB

REPLACES

PR-142

RELEASE NO.



- NOTES
- 1 - SWITCH SEALED PER MIL-S-8805 SYMBOL 4
 - 2 - CIRCUIT DIAGRAM, DATE CODE, CUST. PART NO., DESIGN ACTIVITY NO., SERIAL NO., FEDERAL MFG CODE NO., AND CATALOG LISTING 1EN254-RB PERMANENTLY MARKED ON SIDE OF HOUSING
 - 3 - ALL EXPOSED PARTS MONEL
 - 4 - CONNECTOR SECTION TO MATE WITH BUWEPS DWG 2489772 CONN. 1

THIS DRAWING COVERS A PROPRIETARY ITEM AND IS THE PROPERTY OF MICRO SWITCH, A DIVISION OF HONEYWELL. THIS DRAWING IS NOT TO BE COPIED OR USED WITHOUT THE APPROVAL OF MICRO SWITCH.		THIRD ANGLE PROJECTION	SCALE FULL																												
DO NOT SCALE PRINT		TOLERANCES																													
APPLY TO DESIGN UNITS. CONVERSIONS ARE ONLY FOR REFERENCE. UNLESS NOTED, TOLERANCES ARE 2		<table border="1"> <tr> <th>DIM.</th> <th>TOL.</th> <th>DIM.</th> <th>TOL.</th> </tr> <tr> <td>mm</td> <td>mm/in</td> <td>in</td> <td>mm/in</td> </tr> <tr> <td>NO PLACES</td> <td>X</td> <td>1/.04</td> <td>X X</td> </tr> <tr> <td>ONE PLACE</td> <td>X,X</td> <td>0.47/016</td> <td>X XX</td> </tr> <tr> <td>TWO PLACES</td> <td>X,XX</td> <td>0.157/006</td> <td>X XXX</td> </tr> <tr> <td>THREE PLACES</td> <td>X,XXX</td> <td></td> <td>X,XXX</td> </tr> <tr> <td>ANGLES</td> <td></td> <td></td> <td></td> </tr> </table>		DIM.	TOL.	DIM.	TOL.	mm	mm/in	in	mm/in	NO PLACES	X	1/.04	X X	ONE PLACE	X,X	0.47/016	X XX	TWO PLACES	X,XX	0.157/006	X XXX	THREE PLACES	X,XXX		X,XXX	ANGLES			
DIM.	TOL.	DIM.	TOL.																												
mm	mm/in	in	mm/in																												
NO PLACES	X	1/.04	X X																												
ONE PLACE	X,X	0.47/016	X XX																												
TWO PLACES	X,XX	0.157/006	X XXX																												
THREE PLACES	X,XXX		X,XXX																												
ANGLES																															
CHARACTERISTICS		ELECTRICAL DATA																													
OPERATING FORCE ----- 6-12 LB		CONTACT ARRANGEMENT																													
FULL OVERTRAVEL FORCE ---- 30 LB MAX		S P D T																													
RELEASE FORCE ----- 4 LB MIN		LOAD																													
PRETRAVEL ----- .040 MAX		28 VDC																													
DIFFERENTIAL TRAVEL ----- .020 MAX		SEA LEVEL																													
OVERTRAVEL ----- .140 MIN		50,000 FT.																													
RES	4	4																													
IND	2	2																													
MOTOR	4																														
		WEIGHT 5.0 OZ MAX																													