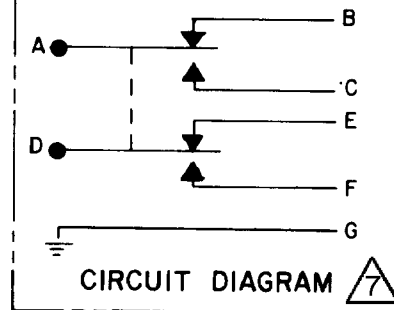


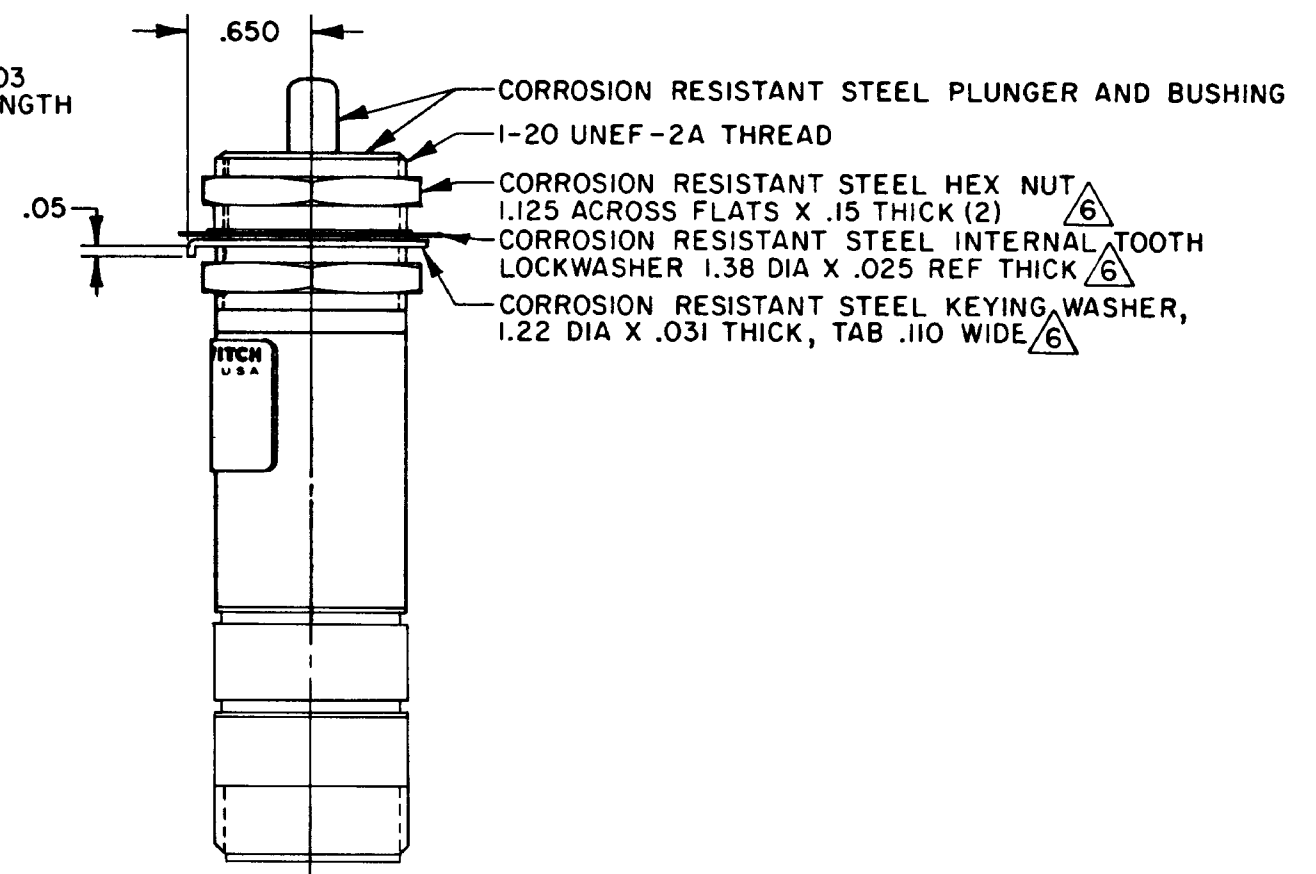
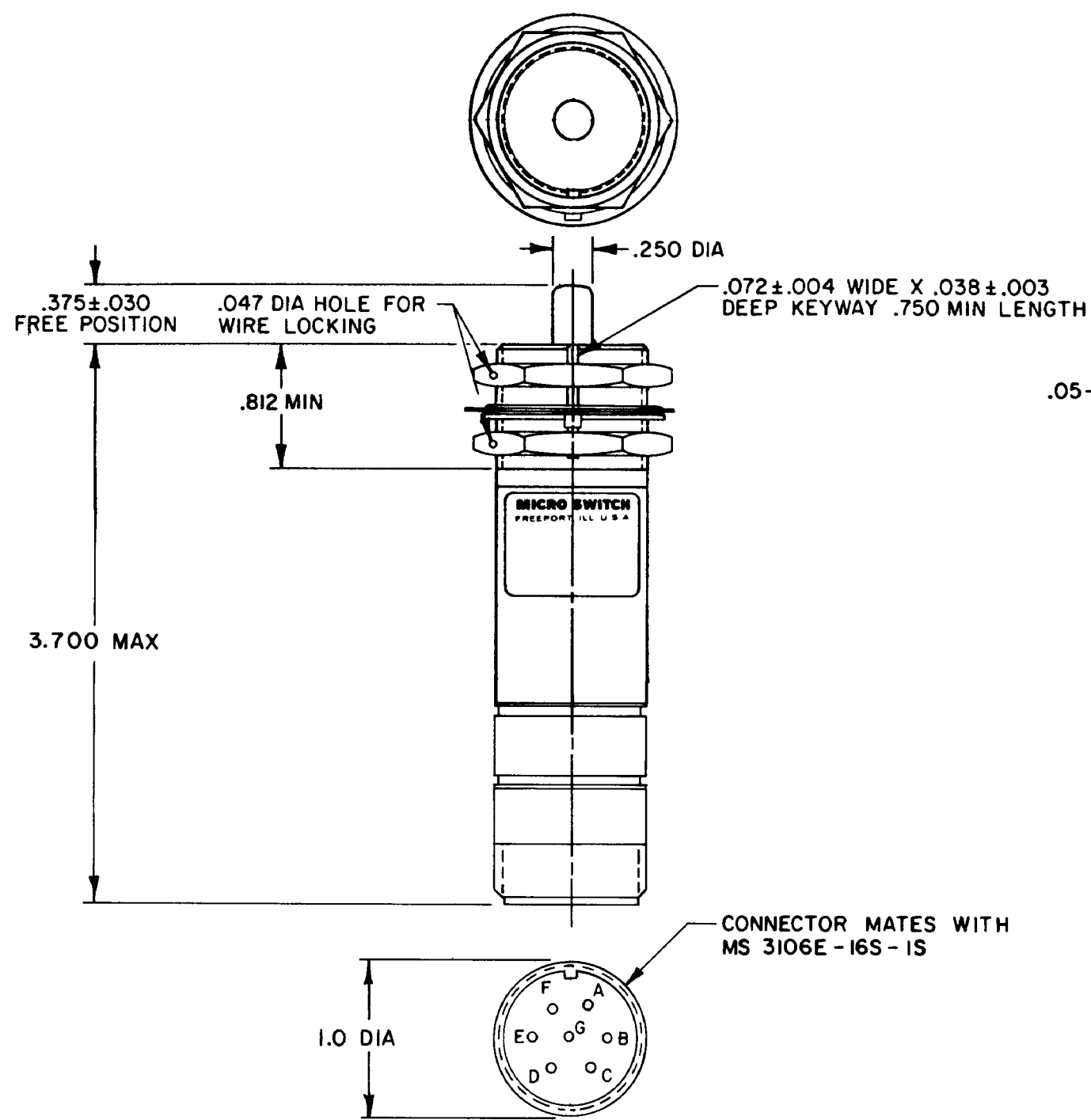
**MICRO SWITCH**  
 FREEPORT ILLINOIS U S A  
 A DIVISION OF HONEYWELL  
 FED. MFG CODE 91929

**SWITCH-ENCLOSED**

CATALOG LISTING  
**1EN342-R**



1EN342-R  
 PAGE 1 OF 1  
 DRAWING NUMBER  
 ISSUE  
 REVISIONS  
 A CO44351 PART 1 WJM 4 APR 79  
 B CO47573 J A P 5 AUG 80  
 C CO68547 SAV 15 OCT 90  
 D CO73874 YSM 5 DEC 92  
 E CO-92255 JJA 10 FEB 98  
 4 APR 79  
 24 APR 79  
 CEB  
 WJM  
 FO-32851-A



- NOTES**
- 1 - COLD ROLLED STEEL ENCLOSURE FINISHED WITH GREEN EPOXY BASED ENAMEL COLOR NO. 34151 PER FEDERAL STANDARD
  - 2 - SWITCH SEALED PER MIL-S-8805 SYMBOL 4
  - 3 - CIRCUIT DIAGRAM AND CATALOG LISTING ARE SHOWN ON NAMEPLATE
  - 4 - ALL EXTERNAL PARTS ARE MADE OF OR TREATED WITH CORROSION RESISTANT MATERIAL
  - 5 - COINCIDENCE OF OPERATING AND RELEASING POINTS: .010 OF PLUNGER TRAVEL
  - 6 - HARDWARE MAY BE PACKAGED UNASSEMBLED PER MIL-S-8805
  - 7 - RESISTANCE BETWEEN PIN "G" AND THREADED BUSHING MEASURED PER MIL-STD-202, METHOD 303, NOT TO EXCEED 1.0 OHMS

THIS DRAWING COVERS A PROPRIETARY ITEM AND IS THE PROPERTY OF MICRO SWITCH, A DIVISION OF HONEYWELL. THIS DRAWING IS NOT TO BE COPIED OR USED WITHOUT THE APPROVAL OF MICRO SWITCH.		THIRD ANGLE PROJECTION	SCALE FULL
DO NOT SCALE PRINT		TOLERANCES	
APPLY TO DESIGN UNITS CONVERSIONS ARE ONLY FOR REFERENCE UNLESS NOTED TOLERANCES ARE Z		NO PLACES DIM. mm TOL. mm/in	
ONE PLACE DIM. in TOL. in		ONE PLACE DIM. mm TOL. mm/in	
TWO PLACES DIM. in TOL. in		TWO PLACES DIM. mm TOL. mm/in	
THREE PLACES DIM. in TOL. in		THREE PLACES DIM. mm TOL. mm/in	
FOUR PLACES DIM. in TOL. in		FOUR PLACES DIM. mm TOL. mm/in	
DESIGN UNITS <input type="checkbox"/> SI METRIC <input checked="" type="checkbox"/> US CUSTOMARY		RAW MATERIAL-COMMERCIAL STANDARD MICRO SWITCH STANDARDS APPLY	
DIMENSIONS ARE TO BE MET BEFORE PROTECTIVE COATINGS ARE APPLIED		WEIGHT 7.0 OZ MAX	
FORMTEK			

CHARACTERISTICS		ELECTRICAL DATA	
OPERATING FORCE	6-12 LB	CONTACT ARRANGEMENT	
FULL OVERTRAVEL FORCE	30 LB MAX	SPDT (2)	
RELEASE FORCE	4 LB MIN	LOAD	28 VDC
PRETRAVEL	.040 MAX		SEA LEVEL
DIFFERENTIAL TRAVEL	.020 MAX	RES	5
OVERTRAVEL	.250 MIN	IND	3
		MOTOR	4