

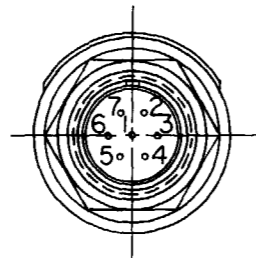
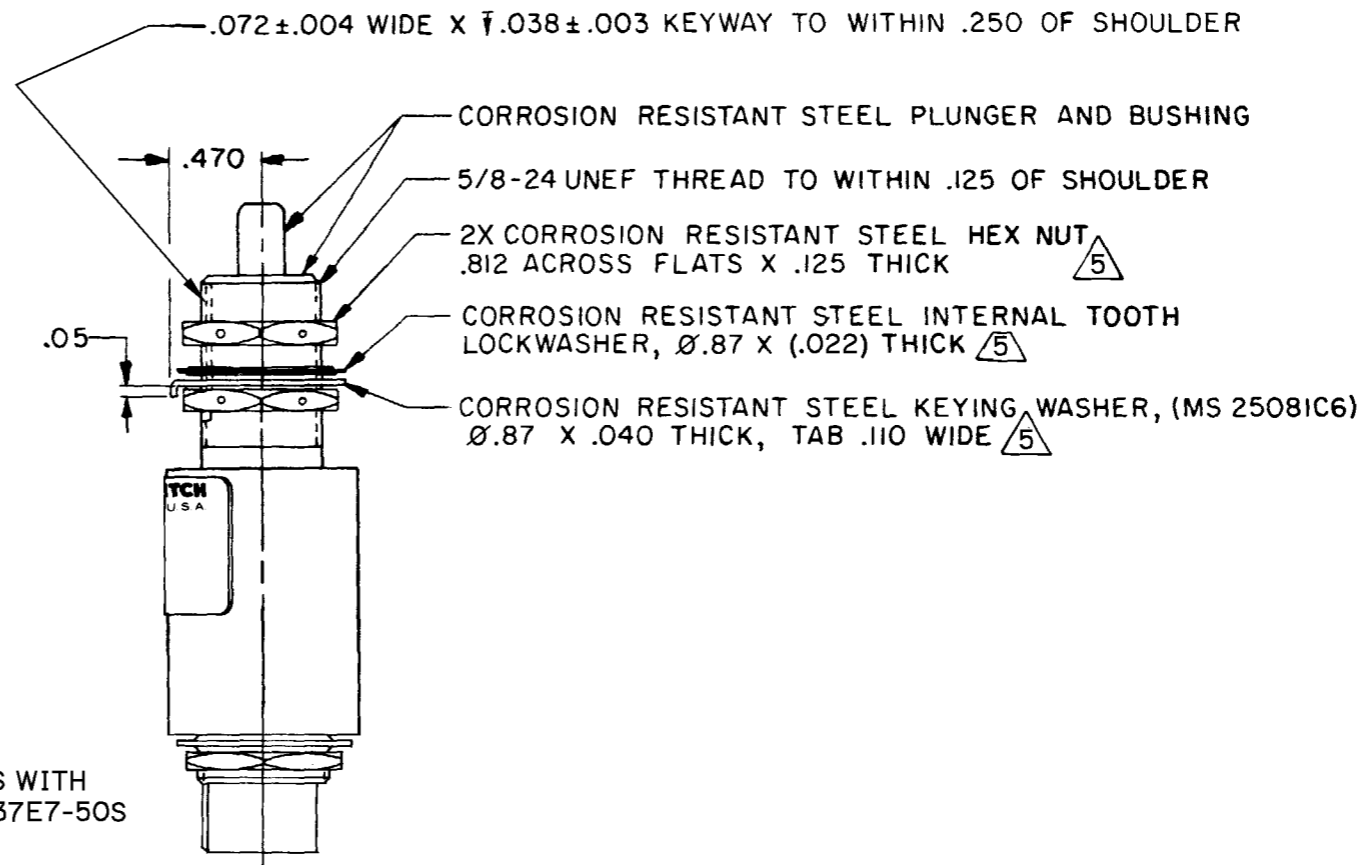
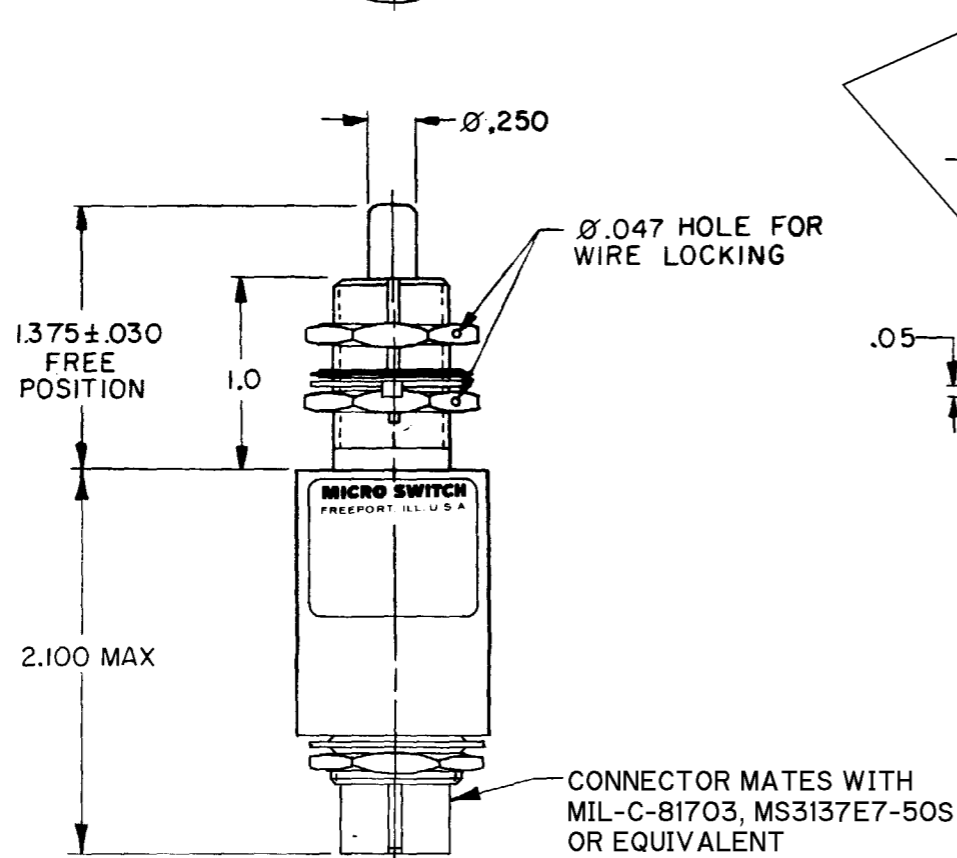
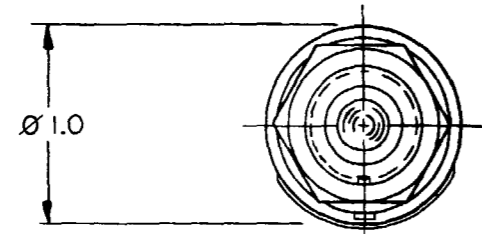
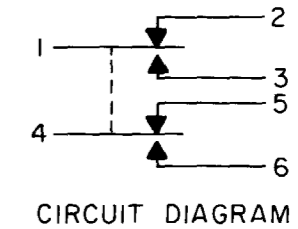
MICRO SWITCH

FREERPORT ILLINOIS U.S.A.
A DIVISION OF HONEYWELL

FED. MFG. CODE 91929

SWITCH - ENCLOSED

CATALOG LISTING
1EN43-R



NOTES

- 1 - CORROSION RESISTANT STEEL ENCLOSURE
- 2 - SWITCH SEALED PER MIL-PRF-8805 SYMBOL 4
- 3 - CIRCUIT DIAGRAM, DATE CODE, FED. MFG. CODE AND CATALOG LISTING ARE SHOWN ON NAMEPLATE
- 4 - COINCIDENCE OF OPERATING AND RELEASING POINTS: .010 OF PLUNGER TRAVEL
- 5 - HARDWARE MAY BE PACKAGED UNASSEMBLED PER MIL-PRF-8805

CATALOG LISTING
1EN43-R
 PAGE 1 OF 1
 ISSUE **M**
21
 REVISIONS
 A 44351 PART 5
 C E B
 9 JAN 79
 B C047573
 J A P
 5 AUG 80
 C C080689
 J A S
 24 JUN 98
 D CO-93970
 S A V
 12 JAN 99
 E 200913
 DLT
 04 AUG 00
 CHECK
 12 JAN 79
 CHECK
 D.J.W.
 FORMTEK
 DRAWN
 C E B
 9 JAN 79
 CHECK
 D.J.W.
 REPLACES
 SR-6700

THIS DRAWING COVERS A PROPRIETARY ITEM AND IS THE PROPERTY OF MICRO SWITCH, A DIVISION OF HONEYWELL. THIS DRAWING IS NOT TO BE COPIED OR USED WITHOUT THE APPROVAL OF MICRO SWITCH.

THIRD ANGLE PROJECTION

SCALE FULL

DO NOT SCALE PRINT

TOLERANCES

APPLY TO DESIGN UNITS. CONVERSIONS ARE ONLY FOR REFERENCE. UNLESS NOTED, TOLERANCES ARE ±

DIM.	TOL.	DIM.	TOL.
mm	mm/in	in	mm/in
NO PLACES	X	1/04	
ONE PLACE	X,X	0.4/016	X X 0.8/03
TWO PLACES	X,X,X	0.15/006	X X X 0.38/015
THREE PLACES	X,X,X,X		X,X,X,X 0.13/005
ANGLES			

DESIGN UNITS SI METRIC US CUSTOMARY

RAW MATERIAL—COMMERCIAL STANDARD
MICRO SWITCH STANDARDS APPLY
DIMENSIONS ARE TO BE MET BEFORE
PROTECTIVE COATINGS ARE APPLIED

WEIGHT 5.0 OZ MAX

ANSI Y14.5M-1982 APPLIES

CHARACTERISTICS	
OPERATING FORCE	6-12 LB
FULL OVERTRAVEL FORCE	30 LB MAX
RELEASE FORCE	4 LB MIN
PRETRAVEL	.040 MAX
DIFFERENTIAL TRAVEL	.020 MAX
OVERTRAVEL	.250 MIN

ELECTRICAL DATA		
CONTACT ARRANGEMENT		
2X SPDT		
LOAD	28 VDC	
	SEA LEVEL	50,000 FT.
RES	4	4
IND	2	2
MOTOR	4	
LAMP		