

**MICRO SWITCH**  
a Honeywell Division

**SWITCH - ENCLOSED**

CATALOG LISTING  
**1EN578-6**

FED. MFG. CODE 91929

CATALOG LISTING  
**1EN578-6**  
PAGE 1 OF 1

ISSUE  
**M**  
1

REVISIONS

RASTER  
DRAWN

REPLACES X113035-EN

RELEASE NO. 202281

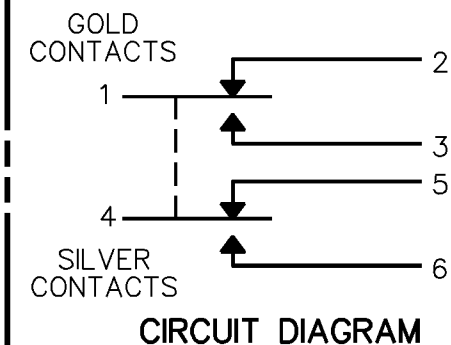
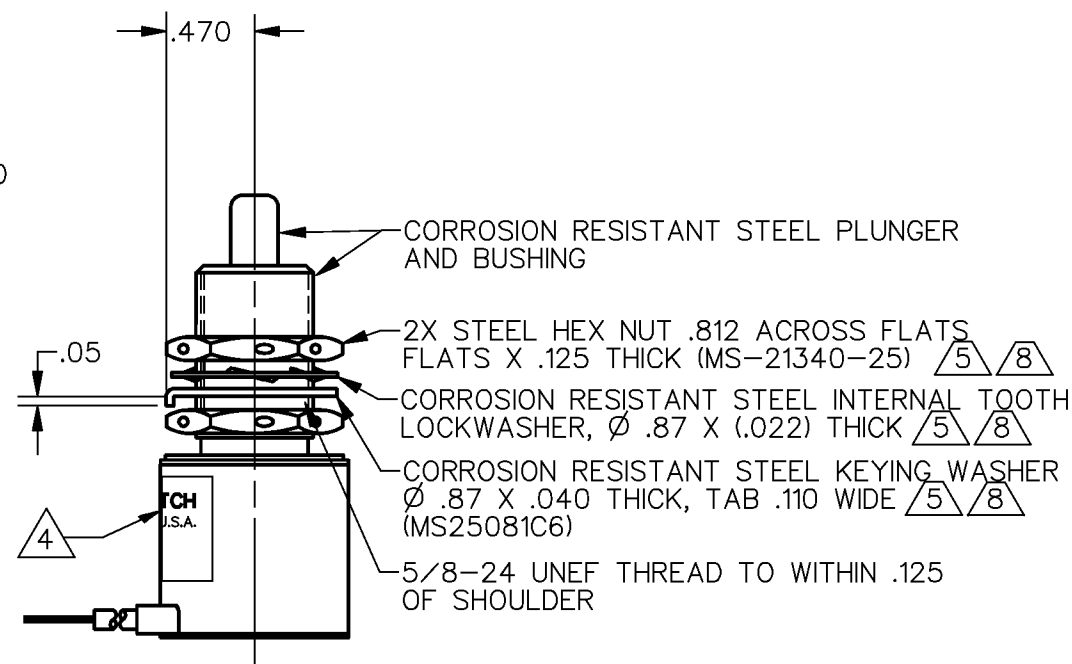
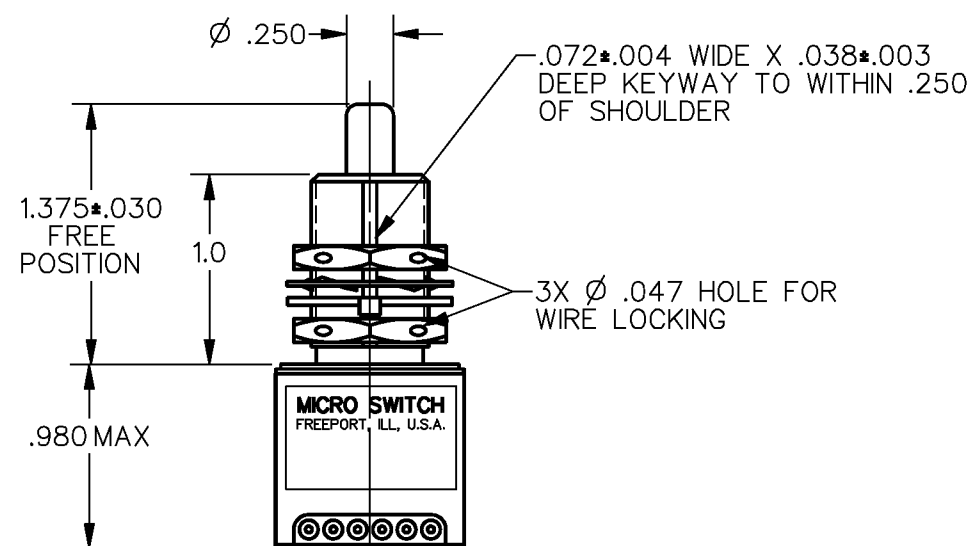
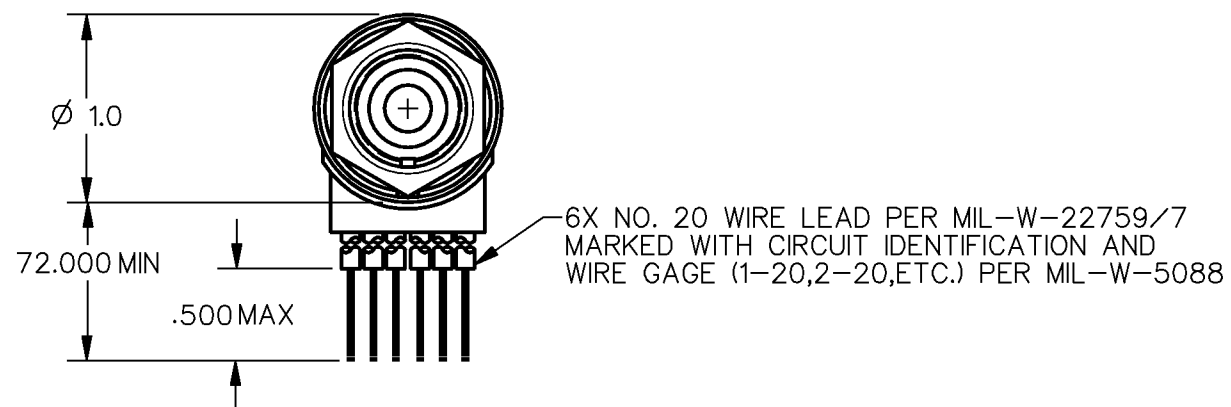
CHECK

CHECK

31 JAN 01

S A V

C S L 31 JAN 01

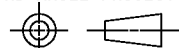


**NOTES**

- 1 - CORROSION RESISTANT STEEL ENCLOSURE
- 2 - SWITCH SEALED PER MIL-PRF-8805 SYMBOL 4
- 3 - COINCIDENCE OF OPERATING AND RELEASING POINTS: .010 OF PLUNGER TRAVEL
- 4 - CIRCUIT DIAGRAM, CATALOG LISTING, FED. MFG. CODE AND DATE CODE ARE MARKED ON SIDE OF HOUSING
- 5 - HARDWARE MAY BE PACKAGED UNASSEMBLED PER MIL-PRF-8805
- 6 - RATING APPLIES TO CIRCUIT 1-2-3
- 7 - RATING APPLIES TO CIRCUIT 4-5-6
- 8 - REPLACEMENT MOUNTING HARDWARE - PACKET 19PA8
- 9 - PLUNGER SEAL MATERIAL - FLUOROSILICONE

THIS DRAWING COVERS A PROPRIETARY ITEM AND IS THE PROPERTY OF MICRO SWITCH. A DIVISION OF HONEYWELL. THIS DRAWING IS NOT TO BE COPIED OR USED WITHOUT THE APPROVAL OF MICRO SWITCH

THIRD ANGLE PROJECTION



**CHARACTERISTICS**

OPERATING FORCE	3-6 LB
FULL OVERTRAVEL FORCE	17 LB MAX
RELEASE FORCE	2 LB MIN
PRETRAVEL	.040 MAX
DIFFERENTIAL TRAVEL	.020 MAX
OVERTRAVEL	.250 MIN

**ELECTRICAL DATA**

CONTACT ARRANGEMENT 2X S P D T				
LOAD	28 VDC			
	7 SEA LEVEL	6	7 50,000 FT.	6
RES	4	1	4	1
IND	2	.5	2	.5
MOTOR	4			

SCALE FULL

DO NOT SCALE PRINT

**UNLESS OTHERWISE SPECIFIED TOLERANCES ARE**

ONE PLACE	(.0)	±.030
TWO PLACE	(.00)	±.015
THREE PLACE	(.000)	±.005
ANGLES		±
WEIGHT		.46 LB MAX

ANSI Y14.5M-1982 APPLIES