

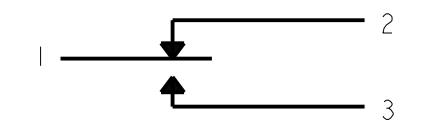
**MICRO SWITCH**  
a Honeywell Division

FED. MFG. CODE 91929

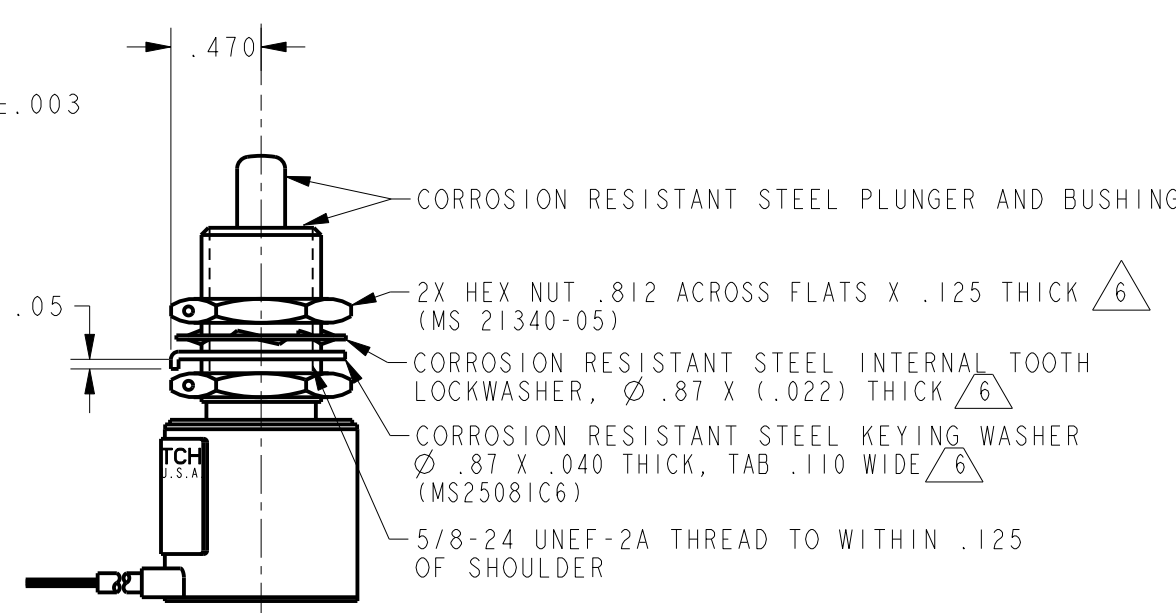
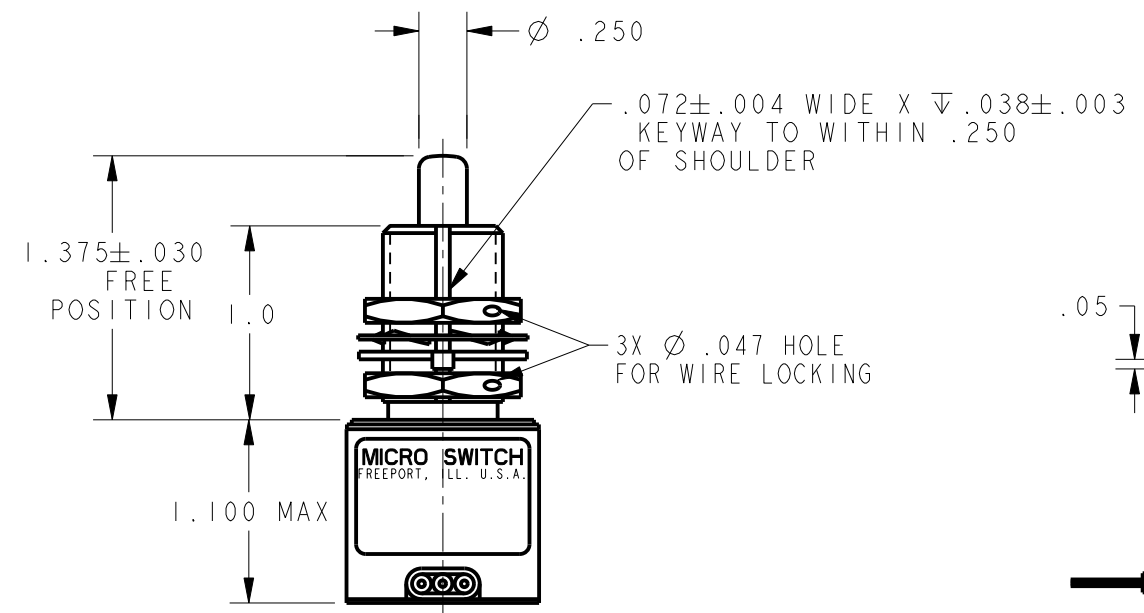
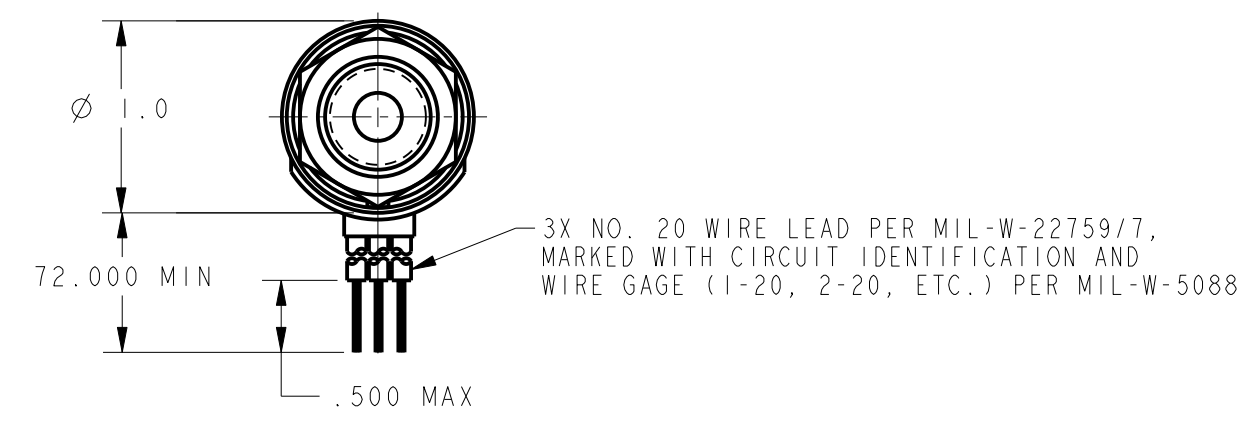
**SWITCH - ENCLOSED**

CATALOG LISTING

**1HE222-6**



CIRCUIT DIAGRAM



PTC/CAD 2D  
 DRAWN G J W 21 JAN 01  
 CHECK S A V 21 JAN 01  
 ASD  
 CHECK 28DEC07  
 BS 28DEC07  
 REVISIONS  
 B 0035712  
 22 JAN 01  
 G J W  
 22 JAN 01  
 A 202192  
 202192  
 ISSUE 4  
 M  
 CATALOG LISTING  
 1HE222-6  
 PAGE 1 OF 1  
 RELEASE NO.  
 REPLACES

THIS DRAWING COVERS A PROPRIETARY ITEM AND IS THE PROPERTY OF MICRO SWITCH, A DIVISION OF HONEYWELL. THIS DRAWING IS NOT TO BE COPIED OR USED WITHOUT THE APPROVAL OF MICRO SWITCH

CHARACTERISTICS		ELECTRICAL DATA	
OPERATING FORCE	6-12 LB	CONTACT ARRANGEMENT IX SPDT <span style="border: 1px solid black; padding: 2px;">7</span>	
FULL OVERTRAVEL FORCE	30 LB MAX		
RELEASE FORCE	4 LB MIN	LOAD	28 VDC SEA LEVEL AND 100,000FT
PRETRAVEL	.040 MAX	(AMPS)	
DIFFERENTIAL TRAVEL	.020 MAX	RES	1.0
OVERTRAVEL	.250 MIN	IND	0.5

THIRD ANGLE PROJECTION

SCALE FULL

DO NOT SCALE PRINT

UNLESS OTHERWISE SPECIFIED TOLERANCES ARE

ONE PLACE	(.0)	±.030
TWO PLACE	(.00)	±.015
THREE PLACE	(.000)	±.005

ANGLES ±

WEIGHT 7.5 OZ MAX

ANSI Y14.5M-1982 APPLIES

NOTES

- ENCLOSURE FINISHED WITH BLUE EPOXY ENAMEL COLOR NO. 25184 PER FEDERAL STANDARD 595
- CIRCUIT DIAGRAM, CATALOG LISTING, DATE CODE AND FED. MDG. CODE SHOWN ON NAMEPLATE
- FOR OPERATION IN TEMPERATURES OF -65°F TO +257°F
- COINCIDENCE OF OPERATING AND RELEASING POINTS: .010 INCH OF PLUNGER TRAVEL
- SWITCH SEALED PER MIL-PRF-8805 SYMBOL 5
- HARDWARE MAY BE PACKAGED UNASSEMBLED PER MIL-PRF-8805
- BIFURCATED GOLD CONTACT BASIC SWITCHES