

# MICRO SWITCH

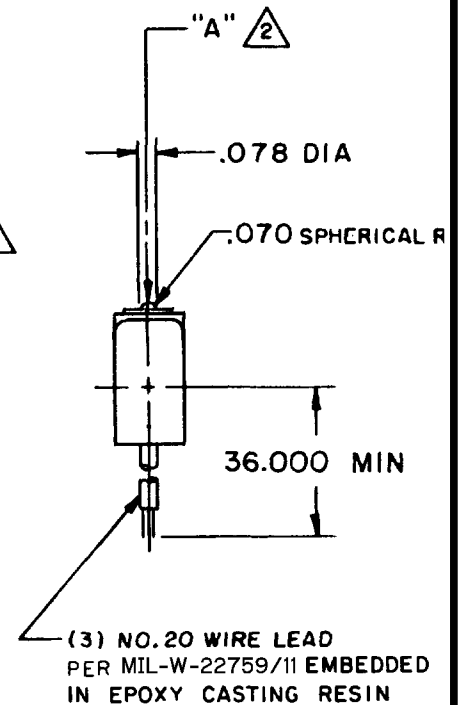
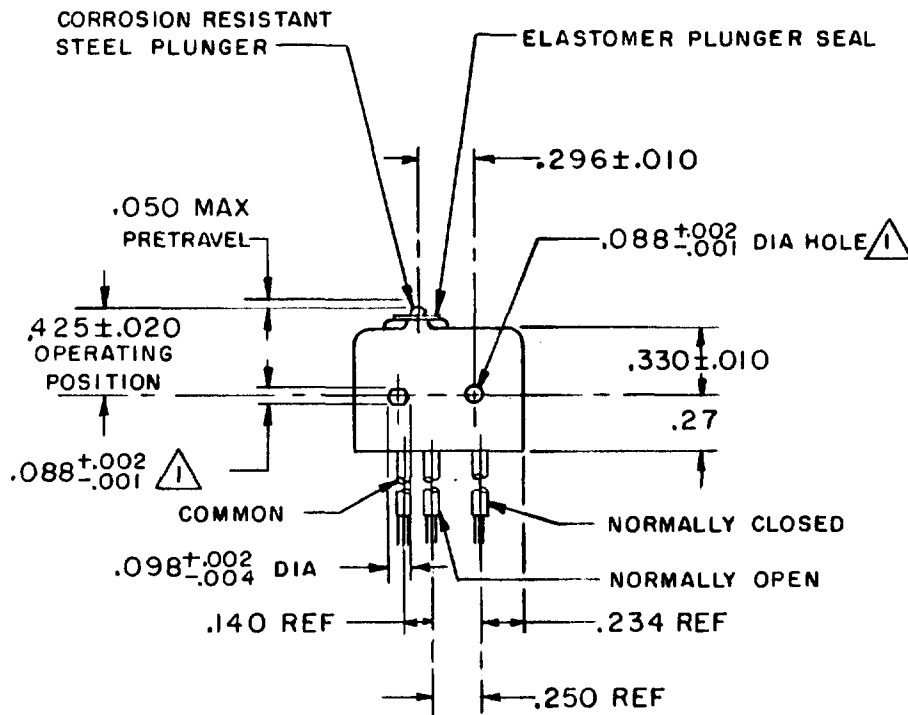
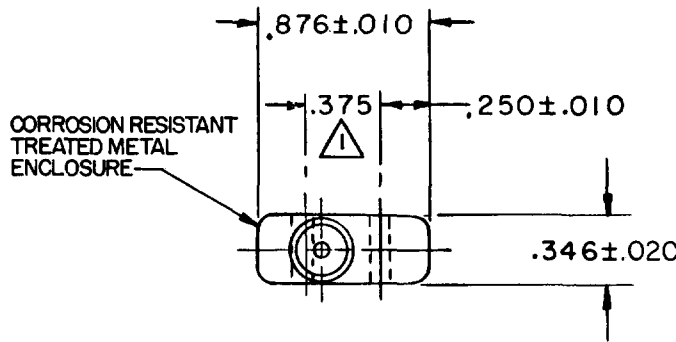
FREEPORT ILLINOIS, U.S.A  
A DIVISION OF HONEYWELL

FED. MFG. CODE 91929

# SWITCH-BASIC

CATALOG LISTING

## ISE7-3



- NOTE-**
- 1 - MOUNTING HOLES WILL ACCEPT .087 MAX DIA PINS OR SCREWS ON .375±.002 CENTERS
  - 2 - ACTUATION IN LINE WITH ARROW "A" IS RECOMMENDED
  - 3 - WEIGHT OF SWITCH ONLY IS .26 OZ MAX, WEIGHT OF SWITCH WITH WIRE LEADS IS 1.40 OZ MAX
  - 4 - BASIC SWITCH HAS 24K SOLID GOLD CONTACT MATERIAL

THIS DRAWING COVERS A PROPRIETARY ITEM AND IS THE PROPERTY OF MICRO SWITCH, A DIVISION OF HONEYWELL. THIS DRAWING IS NOT TO BE COPIED OR USED WITHOUT THE APPROVAL OF MICRO SWITCH.

### CHARACTERISTICS

OPERATING FORCE-----5-17 OZ  
RELEASE FORCE-----4 OZ MIN  
RELEASE TRAVEL-----.004 MIN  
DIFFERENTIAL TRAVEL-----.004 MAX  
OVERTRAVEL-----.003 MIN

### ELECTRICAL DATA

CONTACT ARRANGEMENT  
S P D T

10 VDC ----- 0.5 AMP

30 VOLTS DC RATING

INDUCTIVE ----- SEA LEVEL - 1/2 AMP  
50,000 FT - 1/2 AMP

RESISTIVE ----- SEA LEVEL - 1 AMP  
50,000 FT - 1 AMP

MAXIMUM INRUSH ----- 2 AMP

### SCALE FULL

DO NOT SCALE PRINT

UNLESS OTHERWISE NOTED  
DIMENSIONS ARE IN INCHES

**TOLERANCES ARE**

ONE PLACE (.0) ± .030  
TWO PLACE (.00) ± .015  
THREE PLACE (.000) ± .005

ANGLES ±

WEIGHT 3

ISE7-3

PAGE 1 OF 1

M

DRAWING NUMBER

87

X 3

ISSUE

8 4

REPLACES

PR-4087

CHECK

REVISIONS

A	PR-4087
K	P K
22	APR 74
B	CO-3423
J	A L
24	SEPT 74
C	CO 51463-D
WJ M	
16	JUL 82
D	CO56693
JAS	
25	JAN 85
E	CO57041A
CJH	
21	MAR 85
F	CO94274
DLM	
MAR	99

CHECK

MAY 73

CHECK

MAY 73

CHECK

MAY 73

CHECK

MAY 73

CHECK

MAY 73

CHECK

MAY 73

CHECK

MAY 73

CHECK

MAY 73

CHECK

MAY 73

CHECK

MAY 73

CHECK

MAY 73

FORMTEK

FO-52848

DRAWN

J A H 23 APR 73