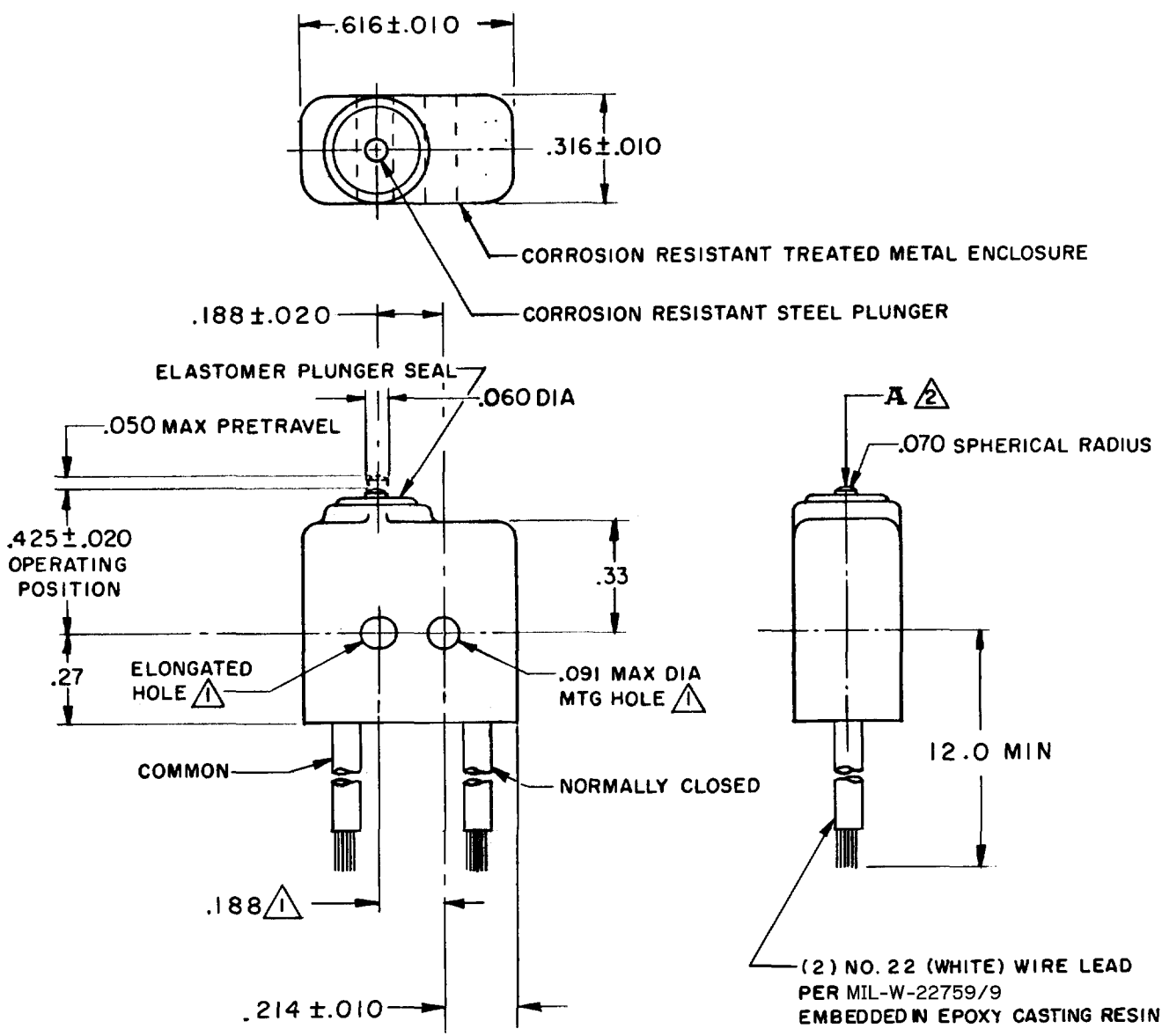


FORMTEK
 FO-50378
 DRAWN
 M B F 21 NOV 62
 CHECK DAW 23 NOV 62
 CHECK E B
 REVISIONS
 A SR 11455
 HBW 6 FEB 64
 B C052067
 CJH 21 SEP 82
 C CO 57328-A
 WJM 15 APR 85
 D C094282
 DLM 3 MAR 99
 ISSUE 84
 DRAWING NUMBER 5
 M
 IXE18
 PAGE 1 OF 1
 SR11455
 RELEASE NO.
 REPLACES



NOTE -

- 1 MOUNTING HOLES WILL ACCEPT $.087$ MAX DIA PINS OR SCREWS ON $.188 \pm .002$ CENTERS
- 2 ACTUATION IN LINE WITH ARROW "A" IS RECOMMENDED
- 3 WEIGHT OF SWITCH ONLY IS $.16$ OZ MAX. WEIGHT OF SWITCH WITH WIRE LEADS IS $.55$ OZ MAX

THIS DRAWING COVERS A PROPRIETARY ITEM AND IS THE PROPERTY OF MICRO SWITCH, A DIVISION OF MINNEAPOLIS-HONEYWELL REGULATOR CO. THIS DRAWING IS NOT TO BE COPIED OR USED WITHOUT THE APPROVAL OF MICRO SWITCH.

CHARACTERISTICS	ELECTRICAL DATA	SCALE 2 TO 1
OPERATING FORCE - - - - - 5 - 17 OZ	CONTACT ARRANGEMENT S P N C	DO NOT SCALE PRINT
RELEASE FORCE - - - - - 4 OZ MIN	28 VOLTS DC RATING	UNLESS OTHERWISE SPECIFIED DIMENSIONS ARE IN INCHES TOLERANCES ARE:
RELEASE TRAVEL - - - - - .004 MIN		
DIFFERENTIAL TRAVEL - - - - .005 MAX	RESISTIVE - - - - - SEA LEVEL - - - - - 7 AMP 50,000 FT - - - - - 7 AMP	ONE PLACE (.0) $\pm .030$ TWO PLACE (.00) $\pm .015$ THREE PLACE (.000) $\pm .005$ ANGLES \pm
OVERTRAVEL - - - - - .004 MIN	MAXIMUM INRUSH - - - - - 24 AMP	WEIGHT 3