

1XE313

CATALOG LISTING

ISSUE
M
3

REPLACES

RELEASE NO. PR-20379

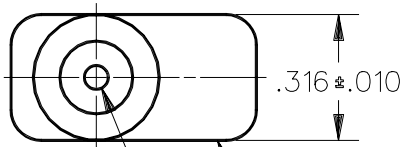
CHECK

CHECK

CHECK

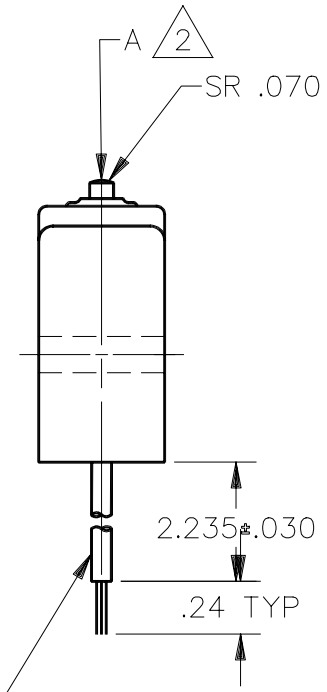
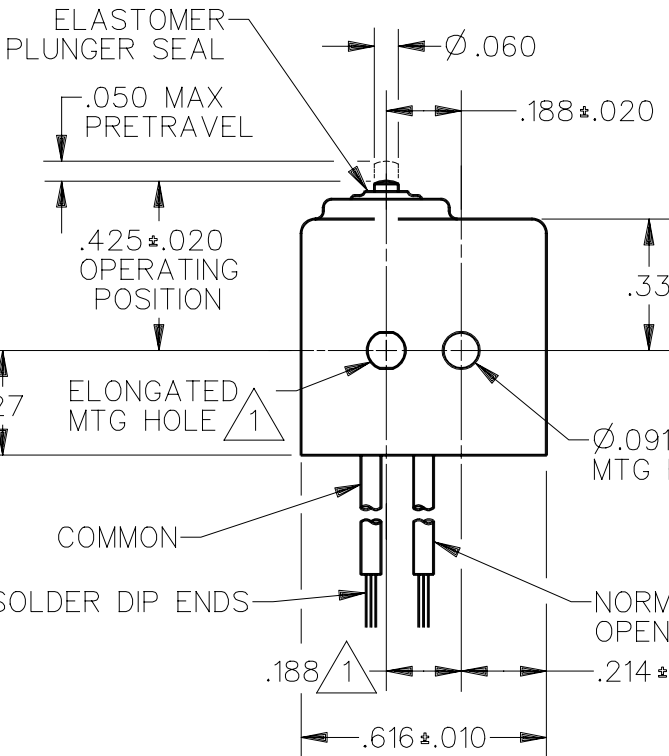
2 NOV 92

DRAWN
TSM



CORROSION RESISTANT TREATED METAL ENCLOSURE

CORROSION RESISTANT STEEL PLUNGER



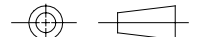
2X NO.20 WIRE LEAD WITH PVC INSULATION UL LISTED EMBEDDED IN EPOXY CASTING RESIN

NOTES

- ① MOUNTING HOLES WILL ACCEPT .087 MAX DIA PINS OR SCREWS ON .188±.002 CENTERS
- ② ACTUATION IN LINE WITH ARROW "A" IS RECOMMENDED
- ③ WEIGHT OF SWITCH ONLY IS .16 OZ MAX. WEIGHT OF SWITCH WITH WIRE LEADS IS .55 OZ MAX

THIS DRAWING COVERS A PROPRIETARY ITEM AND IS THE PROPERTY OF MICRO SWITCH, A DIVISION OF HONEYWELL. THIS DRAWING IS NOT TO BE COPIED OR USED WITHOUT THE APPROVAL OF MICRO SWITCH.

THIRD ANGLE PROJECTION



CHARACTERISTICS	
OPERATING FORCE	5-17 OZ
RELEASE FORCE	4 OZ MIN
RELEASE TRAVEL	.004 MIN
DIFFERENTIAL TRAVEL	.005 MAX
OVERTRAVEL	.004 MIN

ELECTRICAL DATA

CONTACT ARRANGEMENT
S P N O

28 VOLTS DC RATING	SEA LEVEL	4 AMP
INDUCTIVE	50,000 FT	2.5 AMP
RESISTIVE	SEA LEVEL	7 AMP
	50,000 FT	7 AMP
LAMP	SEA LEVEL	1 AMP
MOTOR	SEA LEVEL	2.5 AMP
115 V 400 CYCLES	SEA LEVEL	
RESISTIVE		7 AMP
INDUCTIVE		4 AMP
LAMP		1 AMP
MOTOR		1.5 AMP

SCALE **2 : 1**

DO NOT SCALE PRINT

UNLESS OTHERWISE SPECIFIED TOLERANCES ARE		
ONE PLACE (.)	±.030	
TWO PLACE (.00)	±.015	
THREE PLACE (.000)	±.005	
ANGLES	±	

WEIGHT **③**