

IXE401-T

M

DRAWING NUMBER

3

ISSUE

CHECK

REVISIONS

A PR-11718

8 WJM DEC 82

B CO 57328-A

17 WJM APR 85

CHECK

CHECK

8 DEC 82

WJM

8 DEC 82

CHECK

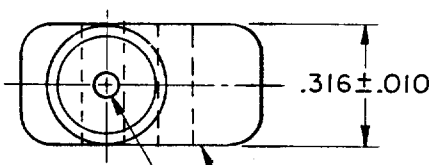
WJM

8 DEC 82

FO-52848-A

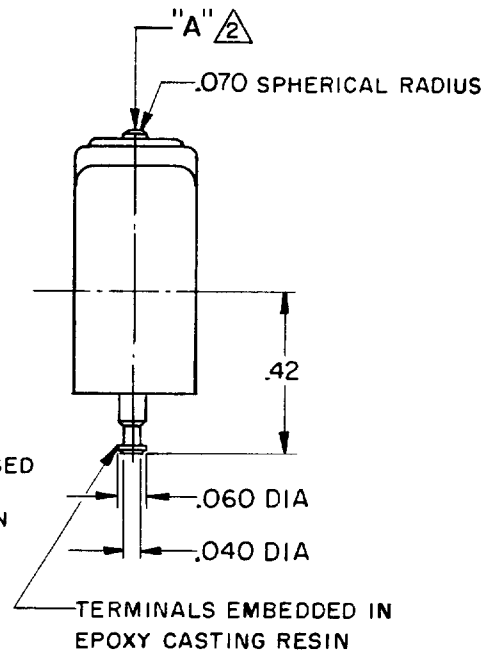
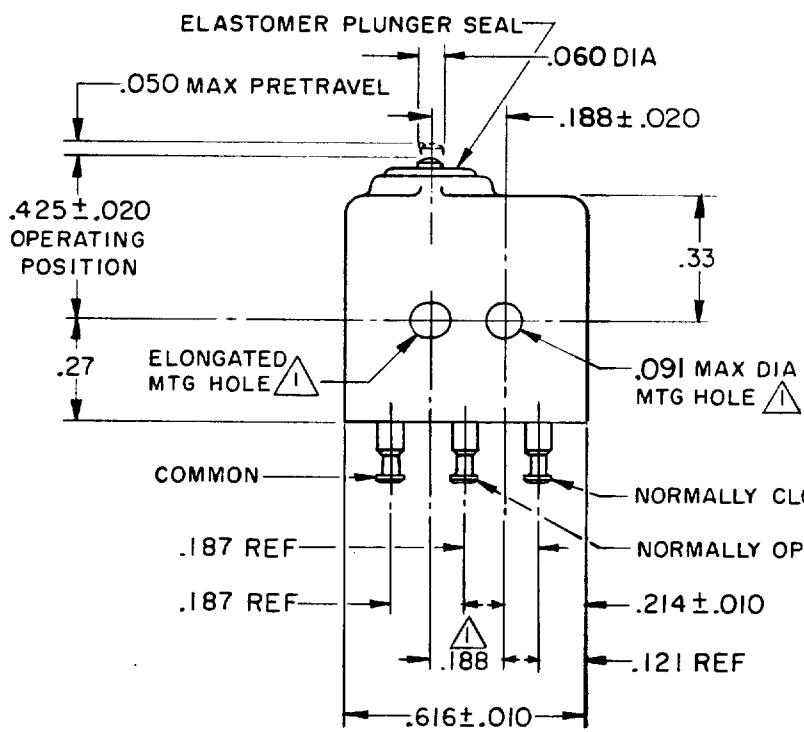
REPLACES

PR-11718



CORROSION RESISTANT TREATED METAL ENCLOSURE

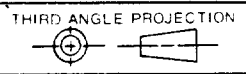
CORROSION RESISTANT STEEL PLUNGER



NOTES

- 1 MOUNTING HOLES WILL ACCEPT .087 MAX DIA PINS OR SCREWS ON .188 ± .002 CENTERS
- 2 ACTUATION IN LINE WITH ARROW "A" IS RECOMMENDED

THIS DRAWING COVERS A PROPRIETARY ITEM AND IS THE PROPERTY OF MICRO SWITCH, A DIVISION OF HONEYWELL. THIS DRAWING IS NOT TO BE COPIED OR USED WITHOUT THE APPROVAL OF MICRO SWITCH.



CHARACTERISTICS	
OPERATING FORCE	5-17 OZ
RELEASE FORCE	3 OZ MIN
PRETRAVEL	.004 MIN
DIFFERENTIAL TRAVEL	.005 MAX
OVERTRAVEL	.004 MIN

ELECTRICAL DATA	
CONTACT ARRANGEMENT S P D T	
28 VOLTS DC RATING	
INDUCTIVE	SEA LEVEL --- 0.5 AMP
RESISTIVE	SEA LEVEL --- 1.00 AMP

SCALE 2:1			
DO NOT SCALE PRINT			
TOLERANCES			
APPLY TO DESIGN UNITS. CONVERSIONS ARE ONLY FOR REFERENCE. UNLESS NOTED, TOLERANCES ARE ±			
DIM.	TOL.	DIM.	TOL.
mm	mm/in	in	mm/in
NO PLACES	X	1/64	
ONE PLACE	X,X	0.4/015	X X 0.8/03
TWO PLACES	X,XX	0.15/.006	X XX 0.38/.015
THREE PLACES	X,XXX		X XXX 0.13/.005
ANGLES			
SI METRIC		US CUSTOMARY	
DESIGN UNITS			
WEIGHT .16 OZ MAX			