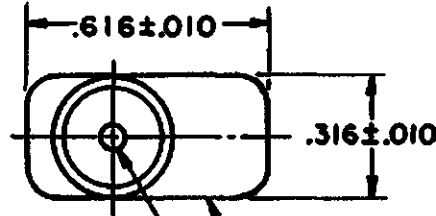
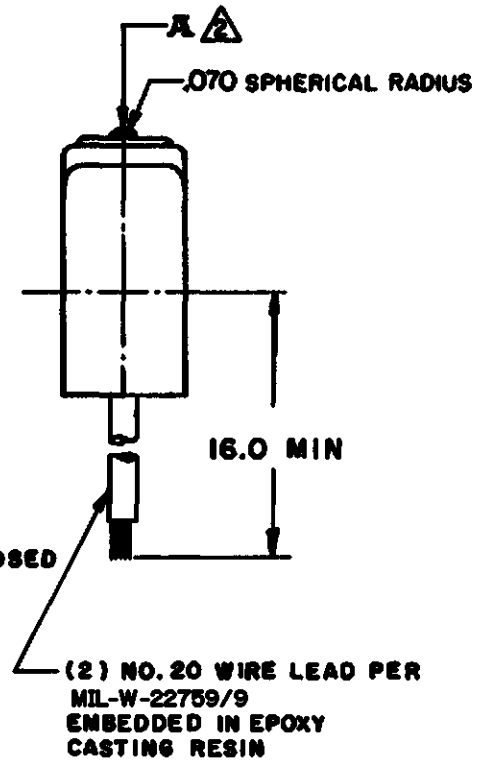
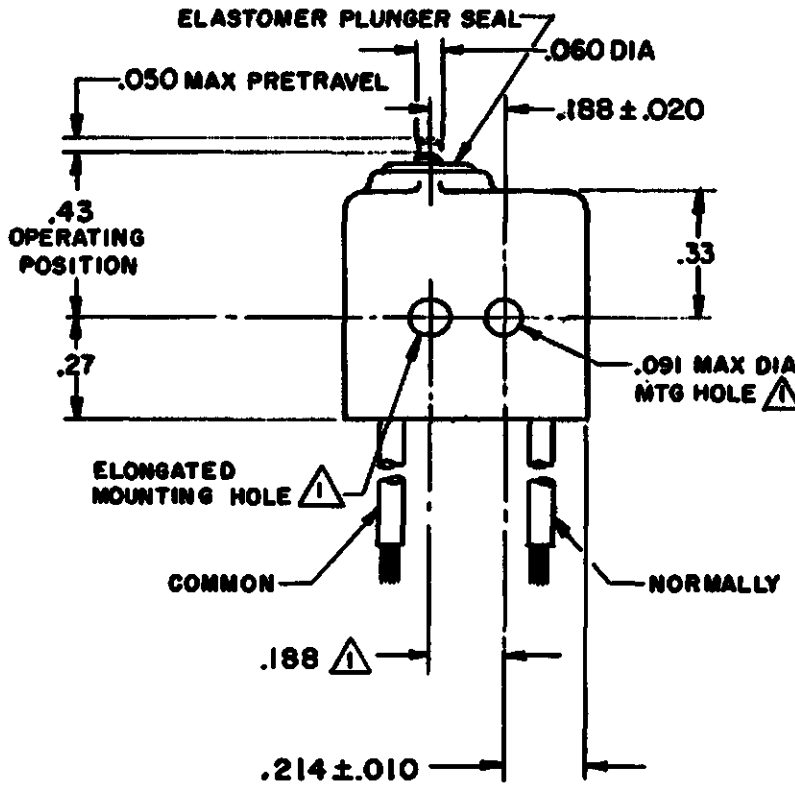


CATALOG LISTING
PAGE 1 OF 1
RELEASE NO. SR-9739
ISSUE 8
REVISIONS
A CO-94402 JJA 5 MAR 99
B 0063672 KNR 20 APR 10
CHECK CMH
JAF 5 MAR 99
JJA 5 MAR 99
DRAWN RASTER



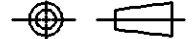
CORROSION RESISTANT TREATED METAL ENCLOSURE
CORROSION RESISTANT STEEL PLUNGER



- NOTES**
- 1 MOUNTING HOLES WILL ACCEPT .087 MAX DIA PINS OR SCREWS ON .188 ± .002 CENTERS
 - 2 ACTUATING IN LINE WITH ARROW "A" IS RECOMMENDED
 - 3 WEIGHT OF SWITCH ONLY IS .16 OZ MAX. WEIGHT OF SWITCH WITH WIRE LEADS IS .48 OZ MAX

THIS DRAWING COVERS A PROPRIETARY ITEM AND IS THE PROPERTY OF MICRO SWITCH, A DIVISION OF HONEYWELL. THIS DRAWING IS NOT TO BE COPIED OR USED WITHOUT THE APPROVAL OF MICRO SWITCH.

THIRD ANGLE PROJECTION



CHARACTERISTICS	
OPERATING FORCE	-----10 OZ MAX
RELEASE FORCE	----- 2 OZ MIN
RELEASE TRAVEL	----- .004 MIN
DIFFERENTIAL TRAVEL	----- .005 MAX
OVERTRAVEL	----- .004 MIN

ELECTRICAL DATA	
CONTACT ARRANGEMENT	
S P N C	

SCALE	DO NOT SCALE PRINT
2:1	
UNLESS OTHERWISE SPECIFIED TOLERANCES ARE	
ONE PLACE (.0)	±.030
TWO PLACE (.00)	±.015
THREE PLACE (.000)	±.005
ANGLES	±
WEIGHT	3