

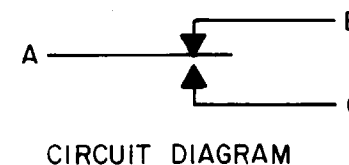
MICRO SWITCH

FREEPORT ILLINOIS U.S.A.
A DIVISION OF HONEYWELL

FED. MFG. CODE 91929

SWITCH - ENCLOSED

CATALOG LISTING
21EN322-RB



21EN322-RB

M

DRAWING NUMBER

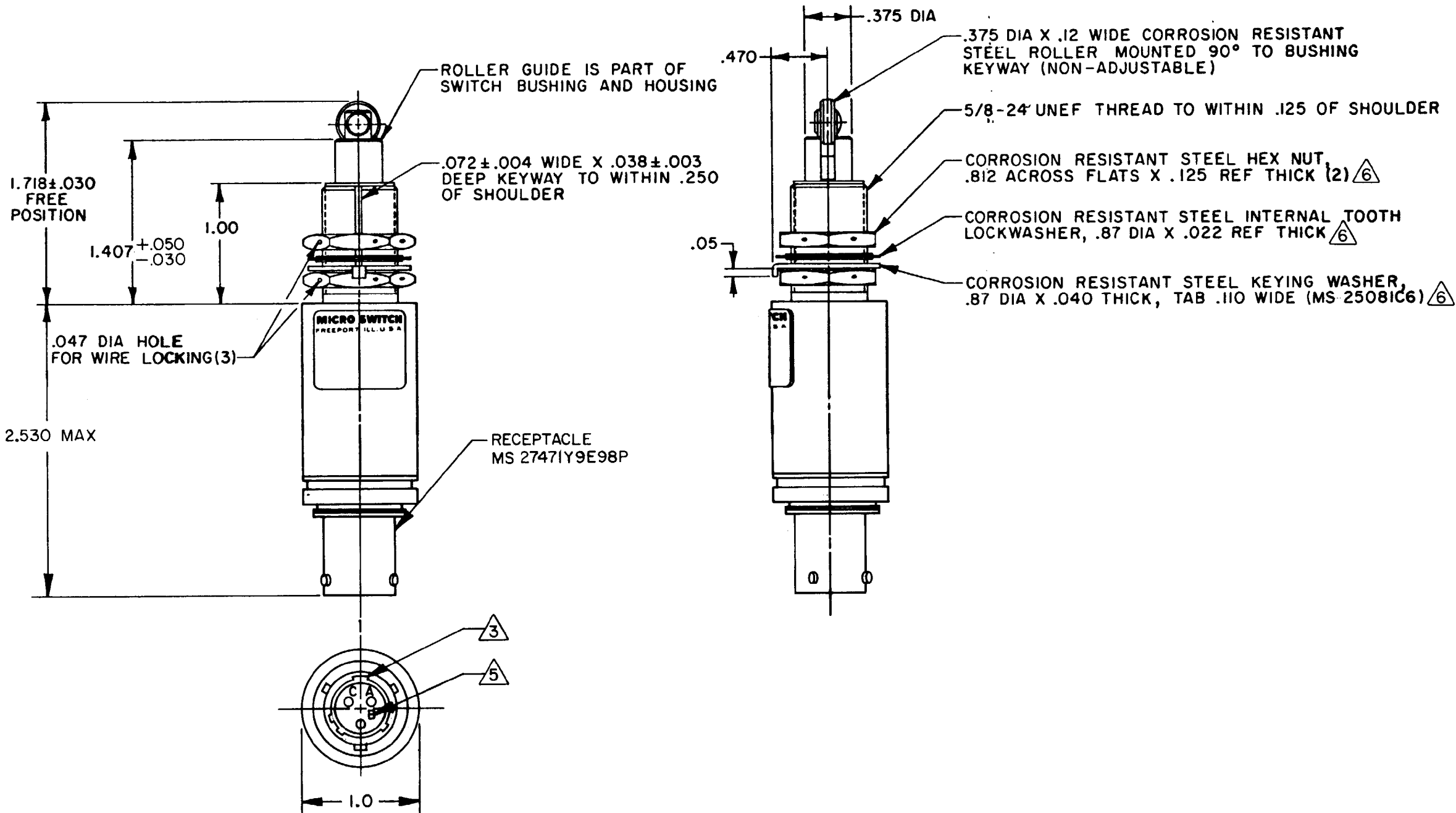
ISSUE 10

RELEASE NO. PR-7984-T REPLACES

CHECK

REVISIONS

A	REINST PR-7984-T	J A P 30 JUL 79	CMH	16 JUN 08
B	CO-47873 PART 4	R J H 16 AUG 80	CMH	16 JUN 08
C	0053655	J A P 14 SEPT 83	CMH	16 JUN 08
D	CO 77228	WES 22 DEC 93	CMH	16 JUN 08
E	0006683	TCC-AP 30 AUG 04	CMH	16 JUN 08
F	0040772	VSY 16 JUN 08	CMH	16 JUN 08



THIS DRAWING COVERS A PROPRIETARY ITEM AND IS THE PROPERTY OF MICRO SWITCH, A DIVISION OF HONEYWELL. THIS DRAWING IS NOT TO BE COPIED OR USED WITHOUT THE APPROVAL OF MICRO SWITCH.

THIRD ANGLE PROJECTION

SCALE FULL

DO NOT SCALE PRINT

TOLERANCES
APPLY TO DESIGN UNITS. CONVERSIONS ARE ONLY FOR REFERENCE UNLESS NOTED. TOLERANCES ARE 2

	DIM.	TOL.	DIM.	TOL.
	mm	mm/in	in	mm/in
NO PLACES	2	17.04		
ONE PLACE	X, XX	0.01/0.16	X, X	0.01/0.05
TWO PLACES	X, XX	0.157/0.008	X, XX	0.001/0.16
THREE PLACES	X, XX		X, XXX	0.157/0.008
ANGLES				

DESIGN UNITS SI METRIC US CUSTOMARY

RAW MATERIAL-COMMERCIAL STANDARD
MICRO SWITCH STANDARDS APPLY
DIMENSIONS ARE TO BE MET BEFORE
PROTECTIVE COATINGS ARE APPLIED

WEIGHT 7 OZ MAX

CHARACTERISTICS	
OPERATING FORCE	6-12 LB
FULL OVERTRAVEL FORCE	30 LB MAX
RELEASE FORCE	4 LB MIN
PRETRAVEL	.040 MAX
DIFFERENTIAL TRAVEL	.010 MAX
OVERTRAVEL	.250 MIN

ELECTRICAL DATA		
CONTACT ARRANGEMENT S P D T		
28 VDC		
LOAD	SEA LEVEL	50,000 FT.
RES	4	4
IND	2	2
MOTOR	4	

NOTES

- 1 - CORROSION RESISTANT STEEL ENCLOSURE AND RECEPTACLE
- 2 - SWITCH SEALED PER MIL-PRF-8805 SYMBOL 4
- 3 - RECEPTACLE POLARIZING KEY POSITION
- 4 - CIRCUIT IDENTIFICATION AND CATALOG LISTING ARE SHOWN ON NAMEPLATE
- 5 - PIN LETTERS SHOWN FOR REFERENCE ONLY. THEY DO NOT NECESSARILY APPEAR ON RECEPTACLE
- 6 - HARDWARE MAY BE PACKAGED UNASSEMBLED PER MIL-PRF-8805

FO-92851-A

DRAWN

J A P 30 JUL 79

CHECK

G L H 8 AUG 79

CHECK

CMH

16 JUN 08

CHECK