

MICRO SWITCH
a Honeywell Division

FED. MFG. CODE 91929

SWITCH — ENCLOSED

CATALOG LISTING
21EN90-R1

CATALOG LISTING
21EN90-R1
PAGE 1 OF 1
ISSUE
2

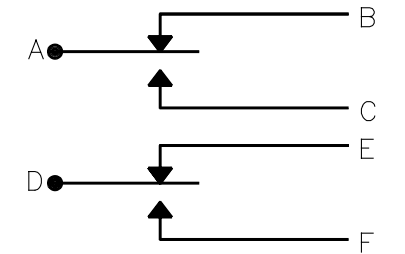
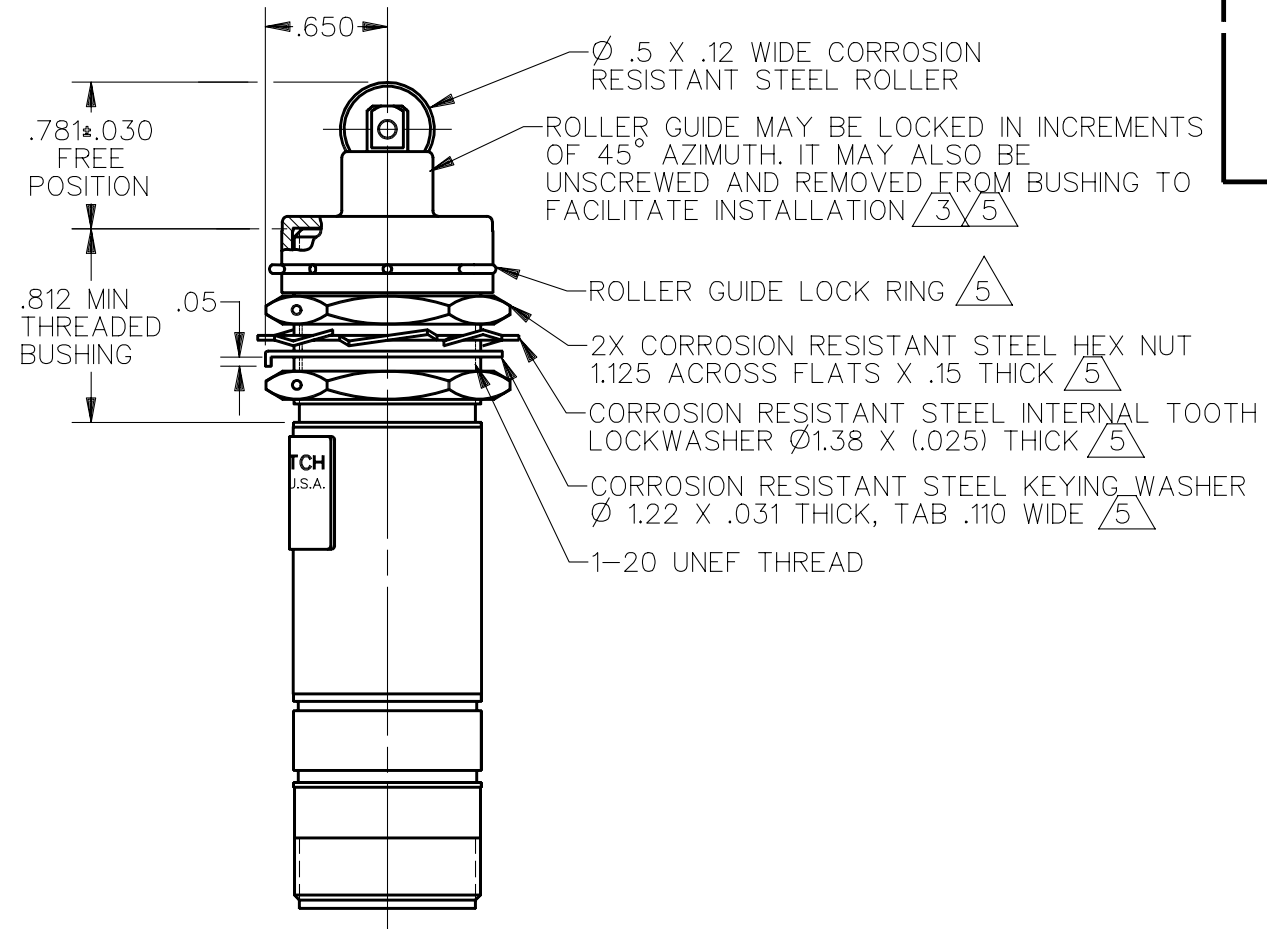
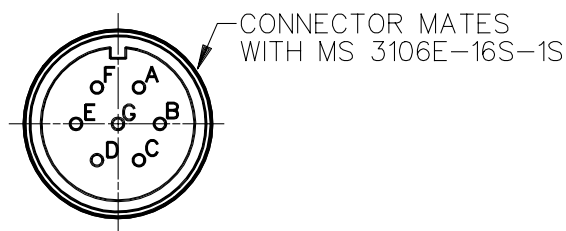
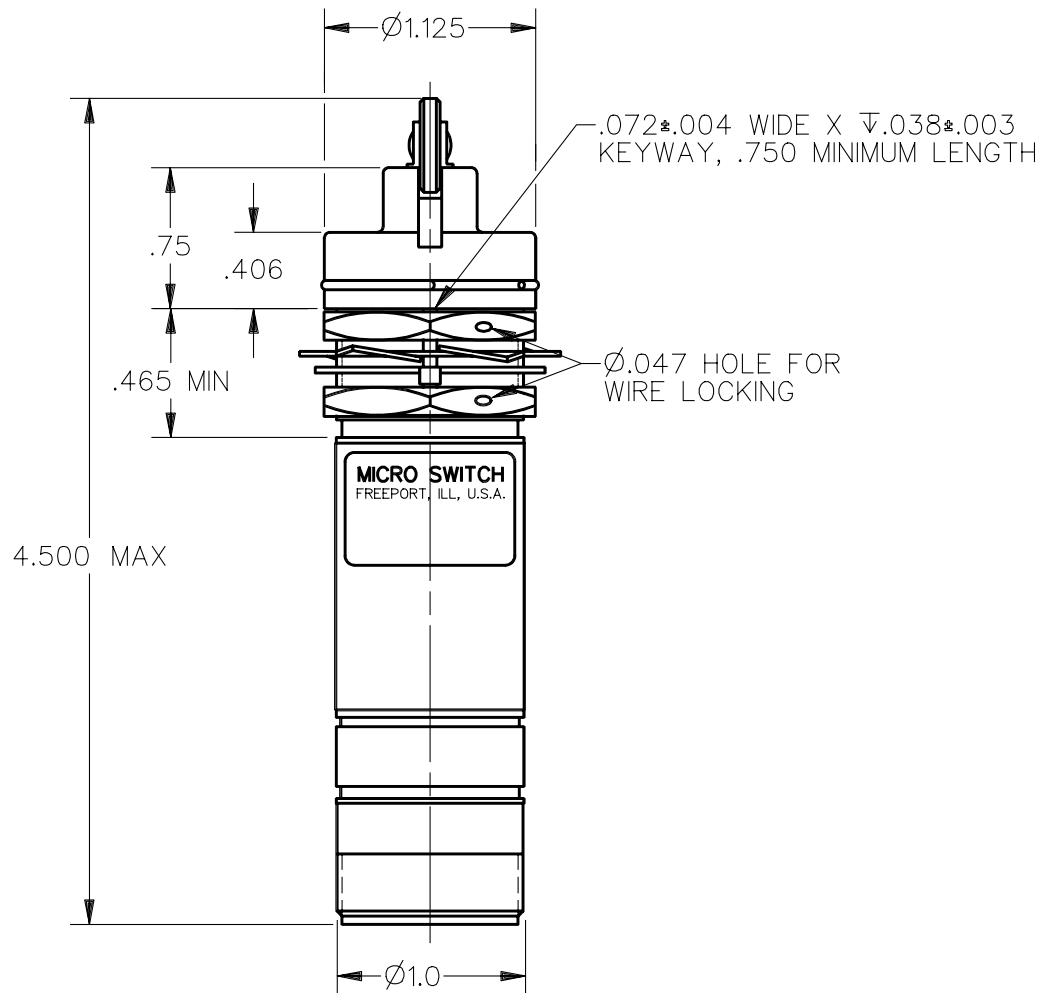
REVISIONS
A PR-23464
JJA
28 APR 98

CHECK
J A F
28 APR 98

CHECK
J A F
28 APR 98

DDM/CAD
DRAWN
JJA
28 APR 98

REPLACES
PR-23464



THIS DRAWING COVERS A PROPRIETARY ITEM AND IS THE PROPERTY OF MICRO SWITCH, A DIVISION OF HONEYWELL. THIS DRAWING IS NOT TO BE COPIED OR USED WITHOUT THE APPROVAL OF MICRO SWITCH

CHARACTERISTICS	
OPERATING FORCE	6-12 LB
FULL OVERTRAVEL FORCE	30 LB MAX
RELEASE FORCE	4 LB MIN
PRETRAVEL	.040 MAX
DIFFERENTIAL TRAVEL	.020 MAX
OVERTRAVEL	.250 MIN

ELECTRICAL DATA		
CONTACT ARRANGEMENT 2X S P D T		
28 VDC (8)		
LOAD	SEA LEVEL	50,000 FT.
RES	1 AMP	1 AMP
IND	0.5 AMP	0.5 AMP

THIRD ANGLE PROJECTION	
SCALE	FULL
DO NOT SCALE PRINT	
UNLESS OTHERWISE SPECIFIED TOLERANCES ARE	
ONE PLACE	(.0) $\pm .030$
TWO PLACE	(.00) $\pm .015$
THREE PLACE	(.000) $\pm .005$
ANGLES	\pm
WEIGHT	8 OZ MAX

NOTES

- 1 - ALL EXTERNAL PARTS ARE MADE OF OR TREATED WITH CORROSION RESISTANT MATERIAL
- 2 - SWITCH SEALED PER MIL-S-8805 SYMBOL 4
- (3) TO ADJUST ROLLER DIRECTION, REMOVE ROLLER GUIDE LOCK RING, SCREW ROLLER GUIDE DOWN AS FAR AS POSSIBLE, THEN UNSCREW TO DESIRED DIRECTION. SECURE BY REPLACING ROLLER GUIDE LOCK RING
- 4 - CIRCUIT DIAGRAM AND CATALOG LISTING ARE SHOWN ON NAMEPLATE
- (5) HARDWARE MAY BE PACKAGED UNASSEMBLED PER MIL-S-8805
- 6 - ENCLOSURE FINISHED WITH GREEN EPOXY BASED ENAMEL COLOR NO.34151 PER FEDERAL STANDARD 595
- 7 - COINCIDENCE OF OPERATING AND RELEASING POINTS $.010$ OF PLUNGER TRAVEL
- (8) BASIC SWITCHES HAVE GOLD CONTACTS

ANSI Y14.5M-1982 APPLIES