

MICRO SWITCH

FREEPORT, ILLINOIS, U.S.A.
A DIVISION OF HONEYWELL
FED. MFG. CODE 91929

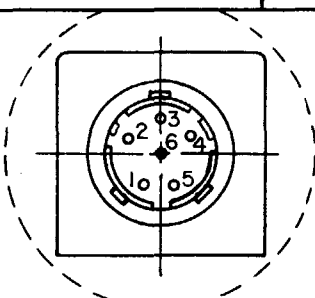
SWITCH-ENCLOSED

CATALOG LISTING

221EN55-R

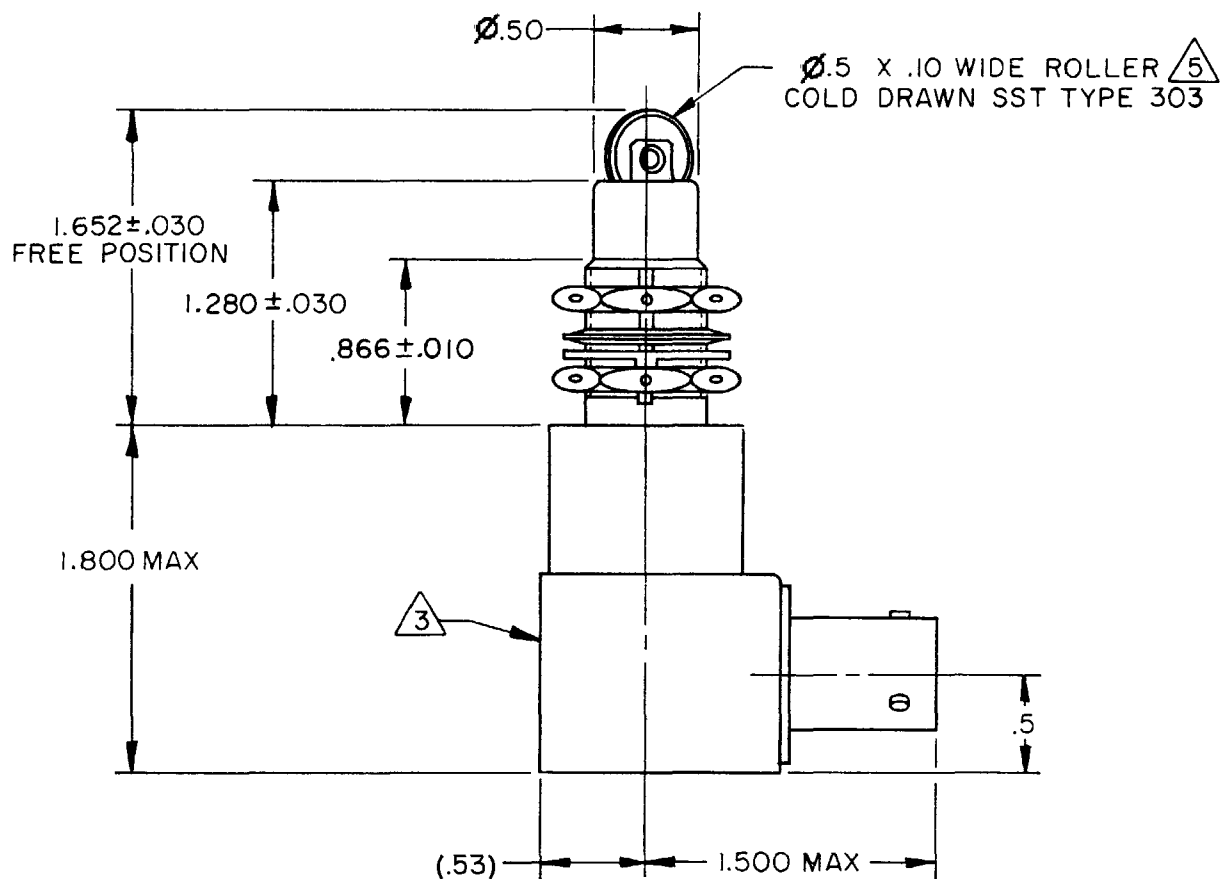
CUSTOMER PART NO.

18876-13027441-2

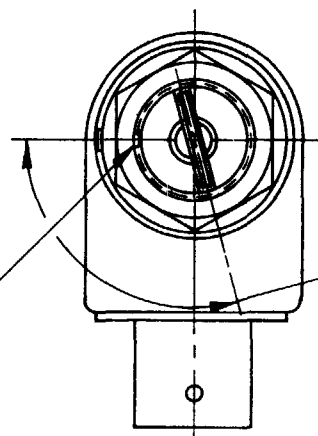


VIEW A

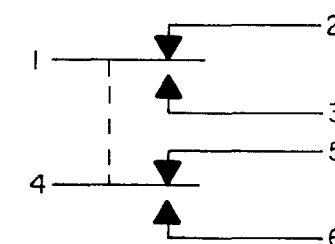
RECEPTACLE MS27471Y9E 35P



.072 ± .004 WIDE X .038 ± .003 DEEP KEYWAY TO WITHIN .250 OF SHOULDER

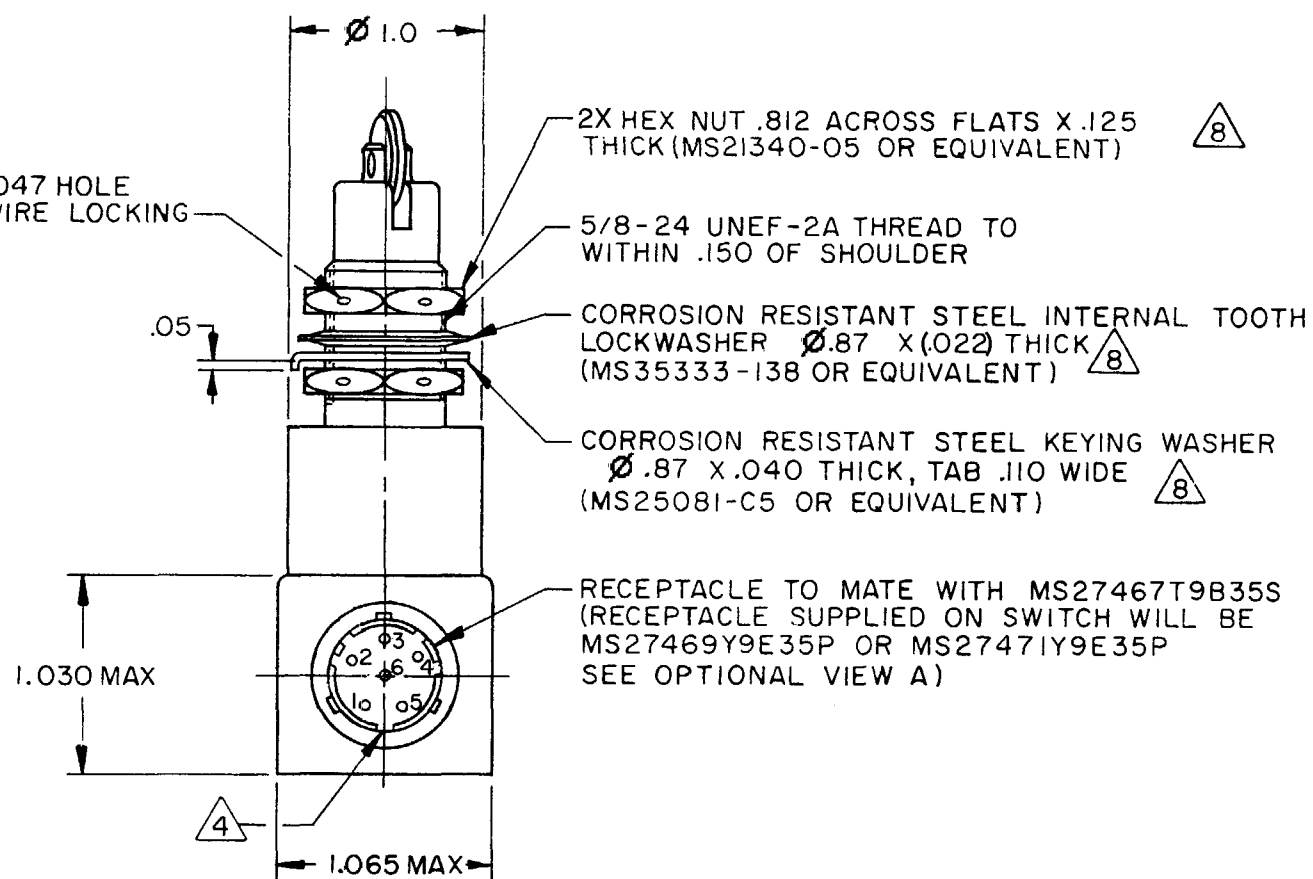


105° ± 5° CCW ROLLER LOCATION



CIRCUIT DIAGRAM (IN FREE POSITION)

3X Ø.047 HOLE FOR WIRE LOCKING



NOTES

- 1 - ALL EXPOSED PARTS ARE CORROSION RESISTANT
- 2 - SWITCH SEALED PER MIL-PRF-8805 SYMBOL 4
- 3 - CATALOG LISTING, CIRCUIT DIAGRAM, FSCM NO. AND CUSTOMER PART NO. PERMANENTLY MARKED ON SIDE OF SWITCH. RED IDENTIFICATION STICKER PLACED AT THE END OF CUSTOMER PART NUMBER
- 4 - RECEPTACLE POLARIZING KEY POSITION
- 5 - ROLLER WILL ROTATE FREELY
- 6 - PLUNGER SEAL MATERIAL - E.P. RUBBER
- 7 - NOTED ELECTRICAL RATING APPLY AS SPECIFIED IN MIL-PRF-8805/40-1 UP TO 185°F
- 8 - HARDWARE MAYBE PACKAGED UNASSEMBLED PER MIL-PRF-8805
- 9 - SWITCH RATED FOR -65°F TO 185°F CONTINUOUS OPERATING CONDITION AND 250°F IN NONOPERATING CONDITION

CATALOG LISTING
221EN55-R
 PAGE 1 OF 1
 RELEASE NO. PR-12904-T
 REPLACES X78126-EN
 ISSUE **M**
11
 REVISIONS
 A PRI3003 TSK 16 MAY 84
 B C058843 TSK 22 JAN 85
 C C061863 TSK 11 JUNE 87
 D C0-95485 JJA 28 SEP 99
 E 200942 CSL 7 AUG 00
 DRAWN TSK II MAY 84
 RASTER FO-52851-B

ANSI Y14.5M-1982 APPLIES

THIS DRAWING COVERS A PROPRIETARY ITEM AND IS THE PROPERTY OF MICRO SWITCH, A DIVISION OF HONEYWELL. THIS DRAWING IS NOT TO BE COPIED OR USED WITHOUT THE APPROVAL OF MICRO SWITCH.

CHARACTERISTICS		ELECTRICAL DATA	
OPERATING FORCE	6-10 LB	CONTACT ARRANGEMENT SEE CIRCUIT DIAGRAM	
FULL OVERTRAVEL FORCE	30 LB MAX	28 VDC	
RELEASE FORCE	4 LB MIN	LOAD	SEA LEVEL
PRETRAVEL	.040 MAX	RES	50,000 FT
DIFFERENTIAL TRAVEL	.020 MAX	IND	2
OVERTRAVEL	.250 MIN	MOTOR	4
		LAMP	

SCALE FULL			
DO NOT SCALE PRINT			
TOLERANCES			
APPLY TO DESIGN UNITS. CONVERSIONS ARE ONLY FOR REFERENCE. UNLESS NOTED, TOLERANCES ARE:			
DIM.	TOL.	DIM.	TOL.
IN	FRACTION	MM	DECIMAL
ALL PLACES	.004	ALL PLACES	0.075
ONE PLACE	.004	TWO PLACES	0.001
TWO PLACES	.001	THREE PLACES	0.0005
THREE PLACES	.0005	ANGLES	1/16
DESIGN UNITS		US CUSTOMARY	
THIRD ANGLE PROJECTION			
WEIGHT 7 OZ MAX			