

H MICRO SWITCH
 FREEPORT, ILLINOIS, U.S.A.
 A DIVISION OF HONEYWELL
 FED. MFG. CODE 91929

SWITCH - TOGGLE
(MAGNETIC HOLD-IN) (B)

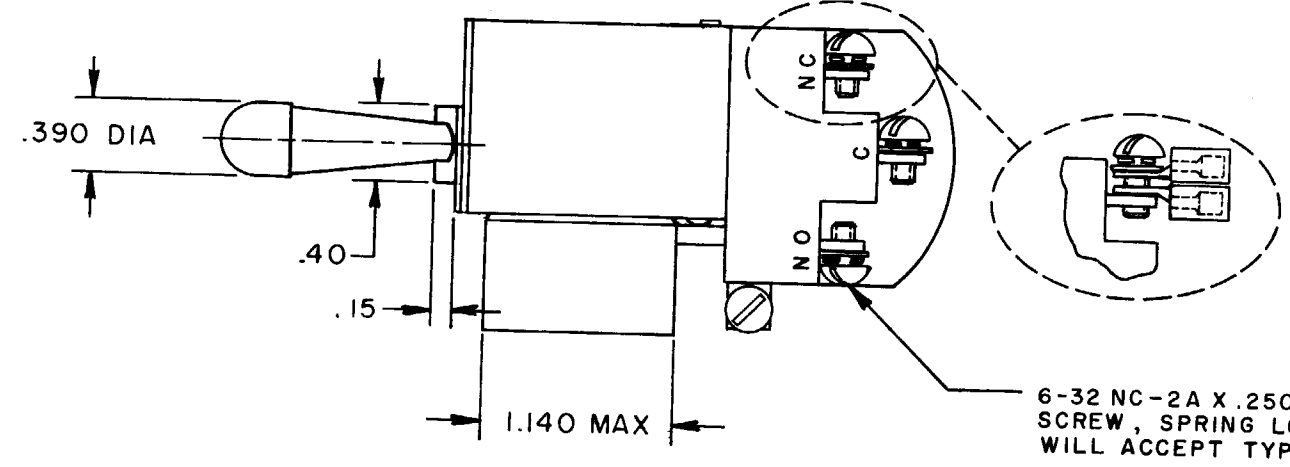
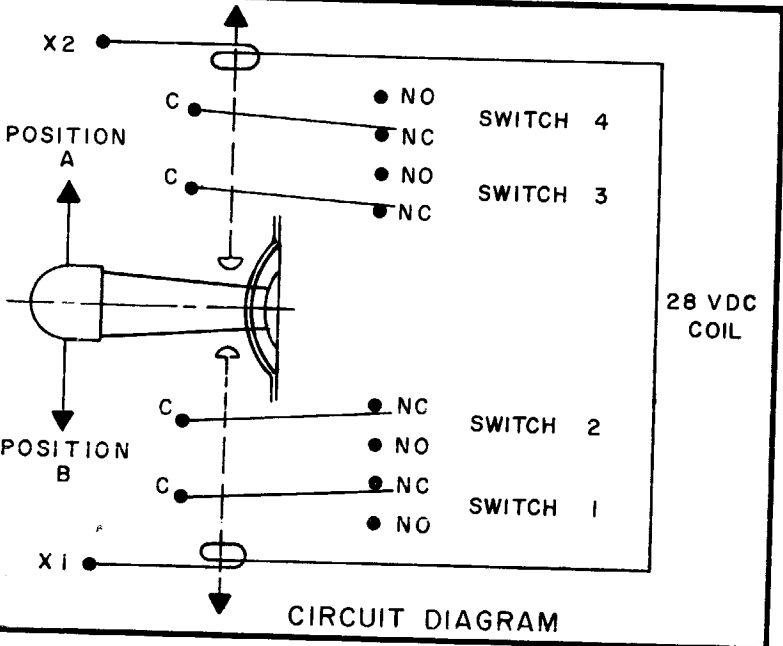
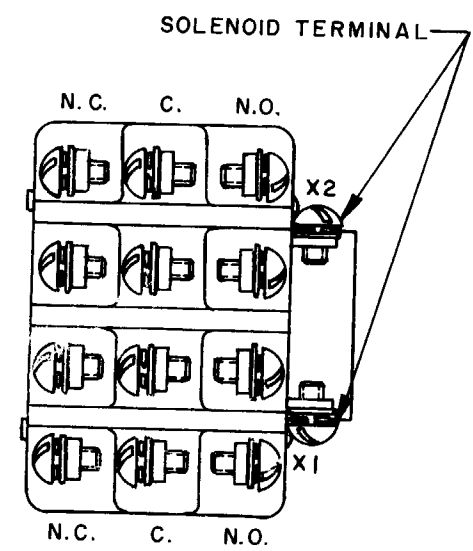
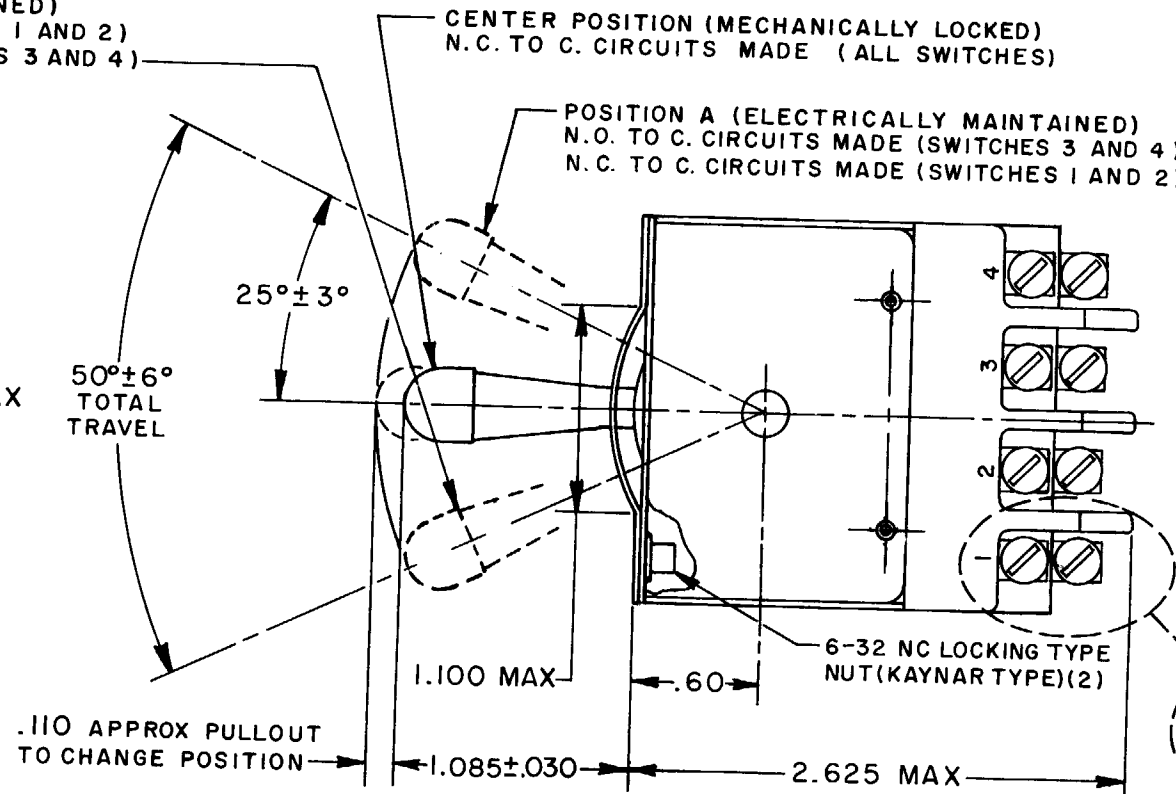
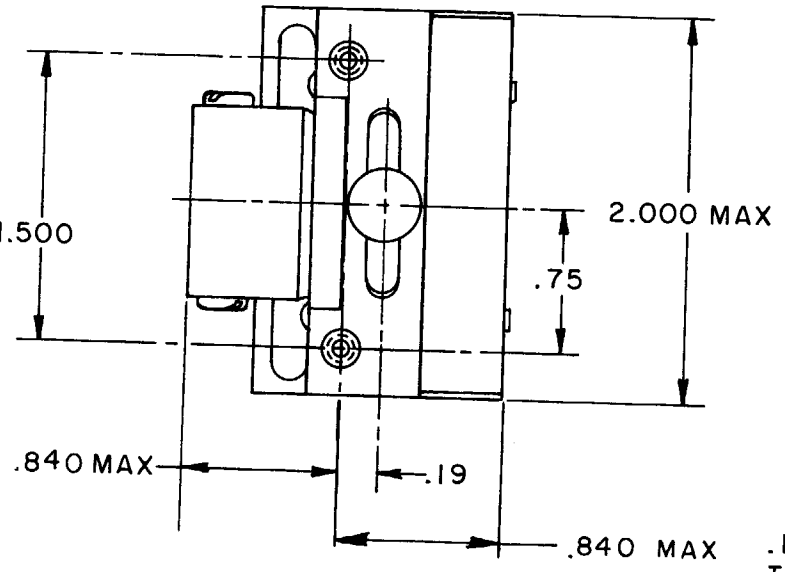
CATALOG LISTING
2ET18-S

DRAWING NUMBER: **M 2ET18-S**
 ISSUE: **X5**
 REVISIONS:
 A SR1110 15 AUG 63
 B CO18500 30 SEP 63
 C CO57151 27 MAR 85
 D CO57649 30 JUL 85
 CHECK: 24 MAY '63, 16 AUG '63, 22 MAY '63
 DRAWN: LMH
 FO-50378-003

POSITION B (ELECTRICALLY MAINTAINED)
 N.O. TO C. CIRCUITS MADE (SWITCHES 1 AND 2)
 N.C. TO C. CIRCUITS MADE (SWITCHES 3 AND 4)

CENTER POSITION (MECHANICALLY LOCKED)
 N.C. TO C. CIRCUITS MADE (ALL SWITCHES)

POSITION A (ELECTRICALLY MAINTAINED)
 N.O. TO C. CIRCUITS MADE (SWITCHES 3 AND 4)
 N.C. TO C. CIRCUITS MADE (SWITCHES 1 AND 2)



THIS DRAWING COVERS A PROPRIETARY ITEM AND IS THE PROPERTY OF MICRO SWITCH, A DIVISION OF MINNEAPOLIS-HONEYWELL REGULATOR CO. THIS DRAWING IS NOT TO BE COPIED OR USED WITHOUT THE APPROVAL OF MICRO SWITCH.

CHARACTERISTICS		ELECTRICAL DATA		SCALE FULL	
SOLENOID CIRCUIT AT 20°C		CONTACT ARRANGEMENT SPDT (4)		DO NOT SCALE PRINT	
STEADY STATE LIMITS	20-29 VDC	250 VAC	5 AMP	UNLESS OTHERWISE NOTED	
OPERATING VOLTAGE	10-30 VDC	30 VOLTS DC RATING		DIMENSIONS ARE IN INCHES	
DROPOUT VOLTAGE	0-10 VDC	INDUCTIVE	SEA LEVEL - 3 AMP	TOLERANCES ARE:	
COIL RESISTANCE	180 OHMS MIN		50,000 FT - 2.5 AMP	ONE PLACE (.0)	±.030
MECHANICAL DATA		RESISTIVE	SEA LEVEL - 5 AMP	TWO PLACE (.00)	±.015
OPERATING FORCE	4 LB MAX		50,000 FT - 5 AMP	THREE PLACE (.000)	±.005
OVERRIDE FORCE	12 OZ MIN AT 24 VDC			ANGLES	±
		WEIGHT 8.0 OZ MAX			

NOTE -
 1 - UNIT INCLUDES "SM" TYPE BASIC SWITCH (4)
 2 - SWITCHES DO NOT NECESSARILY OPERATE SIMULTANEOUSLY