

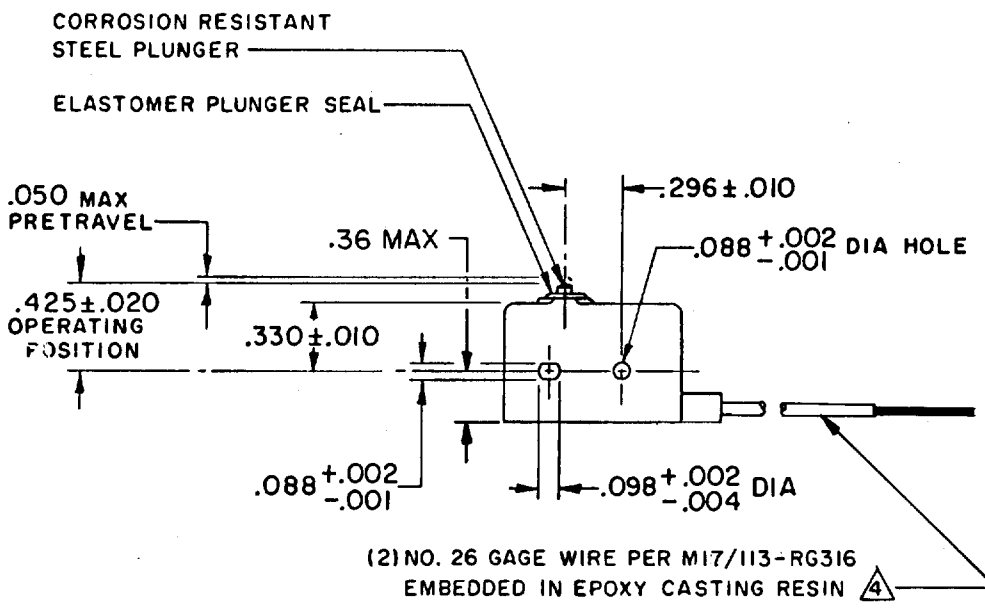
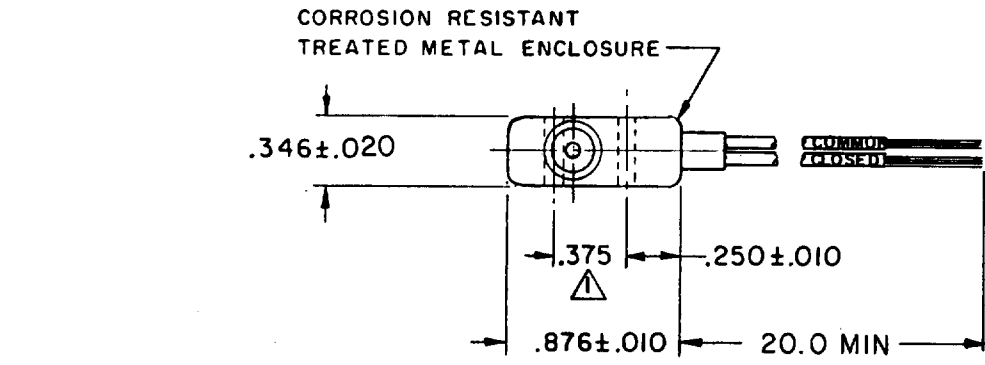
MICRO SWITCH

FREEPORT ILLINOIS, U.S.A
A DIVISION OF HONEYWELL
FED. MFG. CODE 91929

SWITCH - BASIC

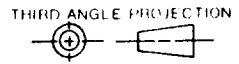
CATALOG LISTING
2SE321

M 2SE321
 DRAWING NUMBER
 ISSUE 5
 REVISIONS
 A PR-7801 SJB 11 MAY 79
 B C057041A CJH 21 MAR 85
 C C061148 TSK 13 FEB 87
 CHECK 11 MAY 79
 CHECK GCH
 CHECK 10 MAY 79
 DRAWN SJB
 FO-52848-A



- NOTE -
- 1 MOUNTING HOLES WILL ACCEPT PINS OR SCREWS OF .087 MAX DIA ON .375 ±.002 CENTERS
 - 2 ACTUATION IN LINE WITH ARROW "A" IS RECOMMENDED
 - 3 WEIGHT OF SWITCH ONLY IS .26 OZ. WEIGHT OF SWITCH WITH WIRE LEADS IS .50 OZ MAX
 - 4 WIRE LEADS MARKED WITH CIRCUIT IDENTIFICATION (COMMON AND CLOSED)
 - 5 BASIC SWITCH HAS 24K SOLID GOLD CONTACT MATERIAL

THIS DRAWING COVERS A PROPRIETARY ITEM AND IS THE PROPERTY OF MICRO SWITCH, A DIVISION OF HONEYWELL. THIS DRAWING IS NOT TO BE COPIED OR USED WITHOUT THE APPROVAL OF MICRO SWITCH.



CHARACTERISTICS OPERATING FORCE ----- 5-17 OZ RELEASE FORCE ----- 4 OZ MIN RELEASE TRAVEL ----- .004 MIN DIFFERENTIAL TRAVEL ----- .004 MAX OVERTRAVEL ----- .003 MIN	ELECTRICAL DATA CONTACT ARRANGEMENT S P N C 10 VDC ----- 0.5 MA 30 VOLTS DC RATING INDUCTIVE ----- SEA LEVEL --- 1/2 AMP 50,000 FT --- 1/2 AMP RESISTIVE ----- SEA LEVEL --- 1 AMP 50,000 FT --- 1 AMP MAXIMUM INRUSH ----- 2 AMP	SCALE FULL DO NOT SCALE PRINT TOLERANCES APPLY TO DESIGN UNITS. CONVERSIONS ARE ONLY FOR REFERENCE. UNLESS NOTED, TOLERANCES ARE ±																		
		<table border="1"> <tr> <td>DIM. mm</td> <td>TOL. mm/in</td> <td>DIM. "</td> <td>TOL. mm/in</td> </tr> <tr> <td>NO PLACES</td> <td>X</td> <td>1/64</td> <td></td> </tr> <tr> <td>TWO PLACES</td> <td>X,X</td> <td>0.4/016</td> <td>X X 0.8/03</td> </tr> <tr> <td>THREE PLACES</td> <td>X,X,X</td> <td>0.15/006</td> <td>X X X 0.38/01</td> </tr> <tr> <td>ANGLES</td> <td>X,X,X</td> <td></td> <td>X X X 0.13/001</td> </tr> </table> DESIGN UNITS SI METRIC <input type="checkbox"/> US CUSTOMARY <input checked="" type="checkbox"/>	DIM. mm	TOL. mm/in	DIM. "	TOL. mm/in	NO PLACES	X	1/64		TWO PLACES	X,X	0.4/016	X X 0.8/03	THREE PLACES	X,X,X	0.15/006	X X X 0.38/01	ANGLES	X,X,X
DIM. mm	TOL. mm/in	DIM. "	TOL. mm/in																	
NO PLACES	X	1/64																		
TWO PLACES	X,X	0.4/016	X X 0.8/03																	
THREE PLACES	X,X,X	0.15/006	X X X 0.38/01																	
ANGLES	X,X,X		X X X 0.13/001																	
WEIGHT		3																		