

**MICRO SWITCH**  
a Honeywell Division

**SWITCH - BASIC**

**BZ-3RW8995516-PC2-S**

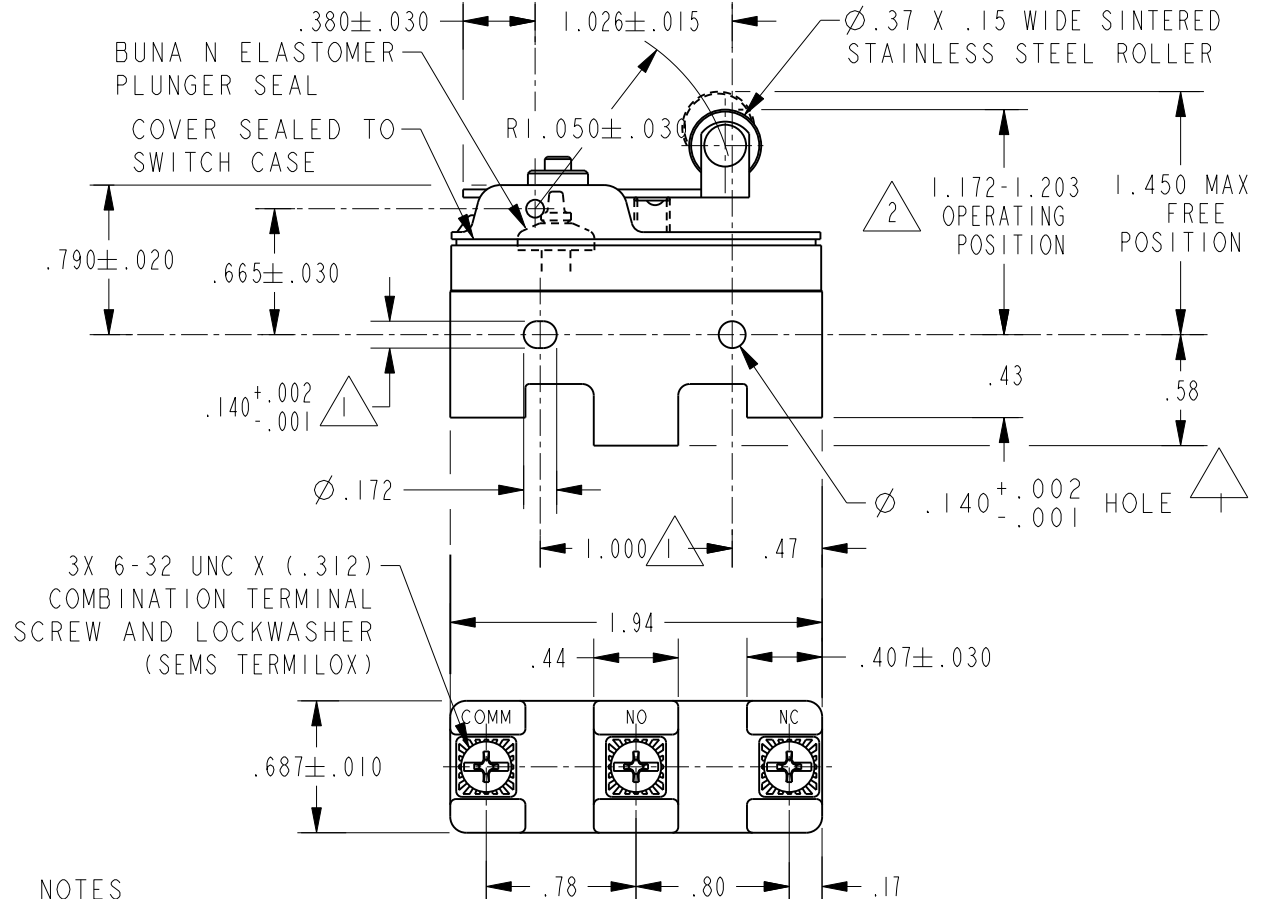
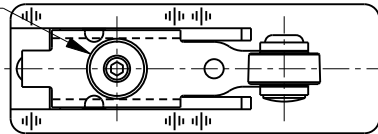
FED. MFG. CODE 91929

WHEN SEARCHING FOR THIS CATALOG LISTING WITHIN HONEYWELL'S INTERNAL SAP SYSTEM, THE LISTING MUST BE ENTERED WITHOUT DASHES (BZ3RW8995516PC2S) DUE TO CHARACTER LIMITATIONS IMPOSED BY THE SYSTEM.

CATALOG LISTING BZ-3RW8995516-PC2-S  
 PAGE 1 OF 1  
 ISSUE 12  
 REVISIONS  
 A CO95815C TSM 7MAR00  
 B 0015138 SPK 29 AUG 05  
 C 0046794 MBH 09DEC08  
 PTC / CAD 2D  
 DRAWN TSM 7MAR00  
 CHECK SAV  
 CHECK 7MAR00  
 CHECK RJ  
 CHECK 09DEC08  
 RS  
 CHECK 09DEC08  
 RELEASE NO. PR-12978  
 REPLACES X77891-BZ

**AQG7260**

MOLDED NUT WITH SELF LOCKING 6-32 UNC THREAD X .250 LONG ADJUSTING SCREW WITH .062 HEX SOCKET



- NOTES
- ① MOUNTING HOLES WILL ACCEPT PINS OR SCREWS OF Ø.139 MAX ON 1.000±.002 CENTERS
  - ② ADJUSTING SCREW PERMITS ADJUSTMENT OF OPERATING POSITION THROUGH RANGE INDICATED
  - 3 - DO NOT OVERTRAVEL MORE THAN .145 FROM ANY OPERATING POSITION TO PROVIDE OPTIMUM MECHANICAL LIFE
  - 4 - SEALED CONSTRUCTION PROVIDES SPLASH RESISTANCE ANSI Y14.5M-1982 APPLIES

THIS DRAWING COVERS A PROPRIETARY ITEM AND IS THE PROPERTY OF MICRO SWITCH, A DIVISION OF HONEYWELL. THIS DRAWING IS NOT TO BE COPIED OR USED WITHOUT THE APPROVAL OF MICRO SWITCH.



CHARACTERISTICS

ELECTRICAL DATA

SCALE NONE DO NOT SCALE PRINT

CONTACT ARRANGEMENT  
S P D T

UNLESS OTHERWISE SPECIFIED TOLERANCES ARE

L96  
15A 125, 250 OR 480 VAC  
1/8HP 125 VAC, 1/4HP 250 VAC  
1/2A 125 VDC, 1/4A 250 VDC

ONE PLACE (.0) ±.030  
TWO PLACE (.00) ±.015  
THREE PLACE (.000) ±.005

L288  
L306  
L315



ANGLES ±

16A 250V ~ T85 5E4

WEIGHT .076 LB