

MICRO SWITCH

a Honeywell Division

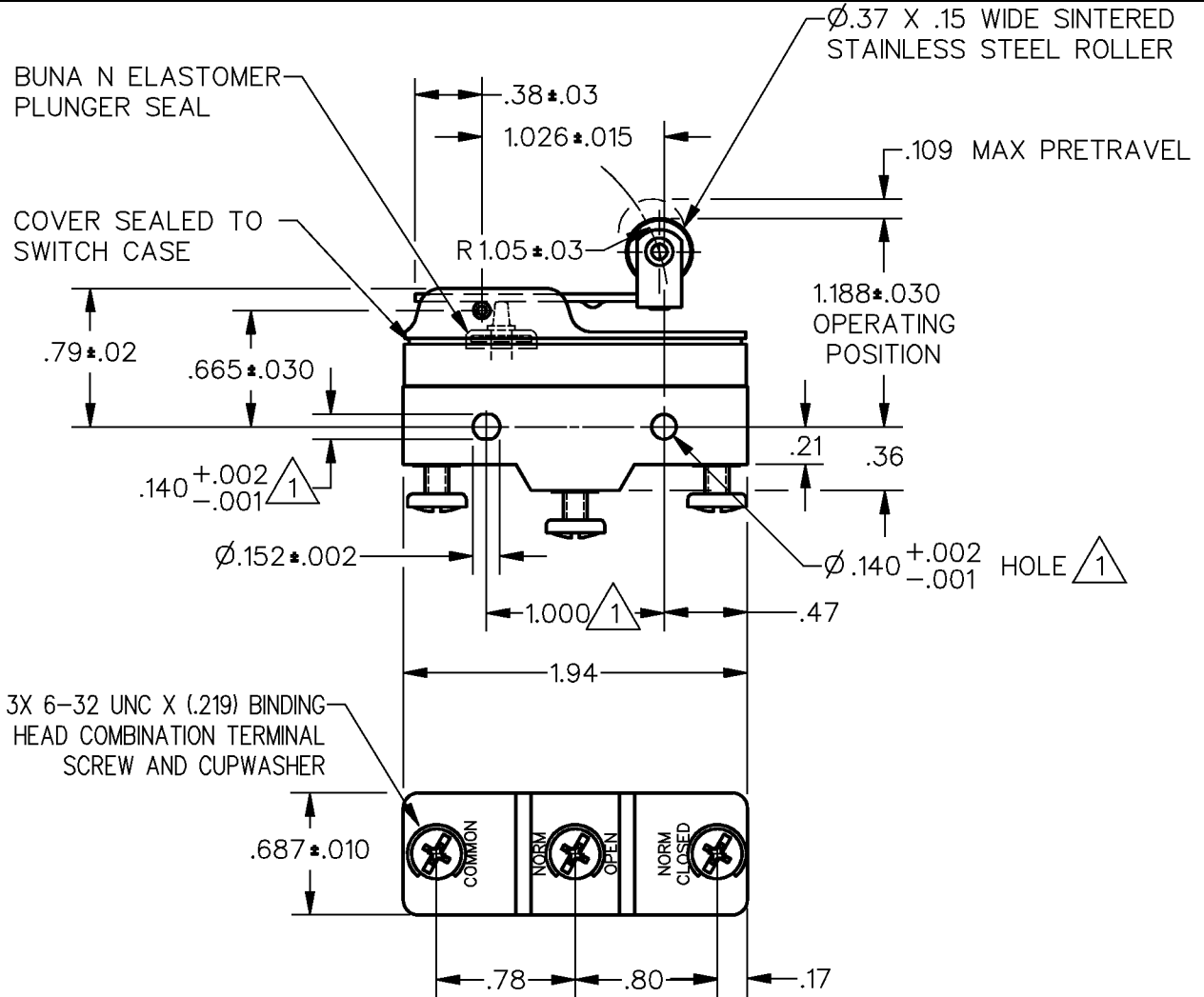
FED. MFG. CODE 91 929

SWITCH - BASIC

CATALOG LISTING

BM-1RW84225551051-A2

WHEN SEARCHING FOR THIS CATALOG LISTING WITHIN HONEYWELL'S INTERNAL SAP SYSTEM, THE LISTING MUST BE ENTERED WITHOUT DASHES (BM1RW84225551051A2) DUE TO CHARACTER LIMITATIONS IMPOSED BY THE SYSTEM.

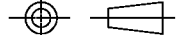


- NOTES
- 1 MOUNTING HOLES WILL ACCEPT PINS OR SCREWS OF Ø.139 MAX ON 1.000±.002 CENTERS
 - 2 - SEALED CONSTRUCTION PROVIDES SPLASH RESISTANCE

ANSI Y14.5M-1982 APPLIES

THIS DRAWING COVERS A PROPRIETARY ITEM AND IS THE PROPERTY OF MICRO SWITCH, A DIVISION OF HONEYWELL. THIS DRAWING IS NOT TO BE COPIED OR USED WITHOUT THE APPROVAL OF MICRO SWITCH.

THIRD ANGLE PROJECTION



CHARACTERISTICS	ELECTRICAL DATA	SCALE	NONE	DO NOT SCALE PRINT
OPERATING FORCE - - - - 2 OZ MAX	CONTACT ARRANGEMENT S P D T	UNLESS OTHERWISE SPECIFIED TOLERANCES ARE		
DIFFERENTIAL FORCE	L161 22A 125, <u>250</u> OR 480 VAC 1/2HP 125 VAC, 1HP <u>250</u> VAC	ONE PLACE (.0)	±.030	
RELEASE FORCE - - - - 1/4 OZ MIN		TWO PLACE (.00)	±.015	
PRETRAVEL		THREE PLACE (.000)	±.005	
DIFFERENTIAL TRAVEL - - .001 - .013		ANGLES	±	
OVERTRAVEL - - - - -.094 MIN		WEIGHT	.076 LB	
FREE POSITION	L288 L315 L318	22A 250V ~ T85 5E4		

CATALOG LISTING
 BM-1RW84225551051-A2
 PAGE 1 OF 1
 ISSUE 6
 RS 09DEC08
 RELEASE NO PR-19829
 REPLACES X94484-BM
 REVISIONS
 A CO 73287-L
 GRT 23 NOV 93
 B CO 75204-E
 LJJ 1 FEB 94
 C CO93169
 TSM 11 JUN 98
 D 0035411
 JA 23 NOV 07
 E 0046794
 MBH 09 DEC 08
 RASTER
 DRAWN GRT 17 FEB 92
 CHECK WJC 18 FEB 92
 ASD 23 NOV 07
 CHECK 09 DEC 08