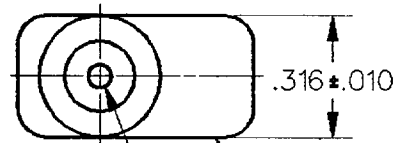


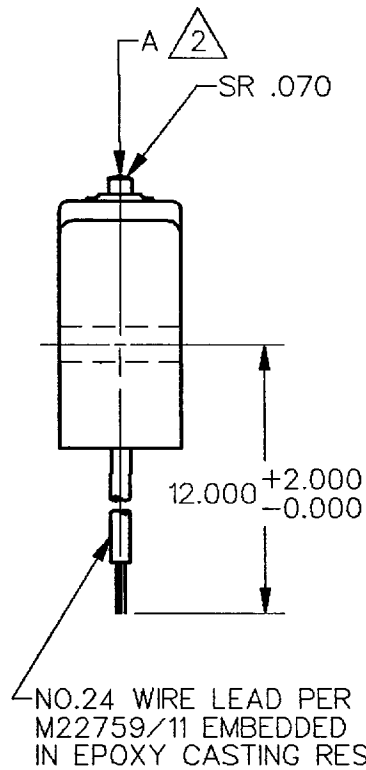
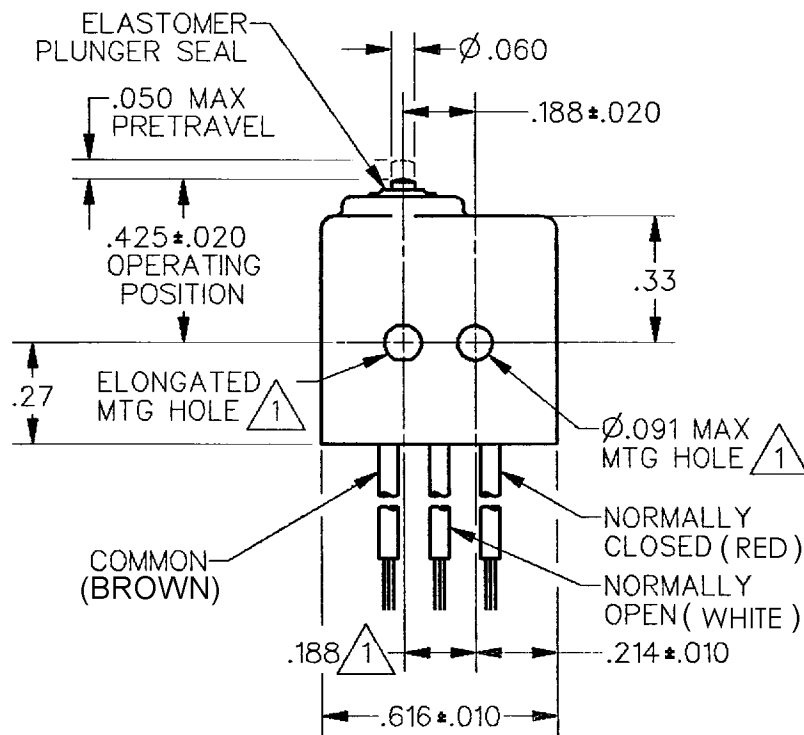
HONEYWELL
PART NUMBER

1XE122

REV	DOCUMENT	CHANGED BY	CHECK
B	0020191	BNA 22MAR06	AS



CORROSION RESISTANT TREATED METAL ENCLOSURE
CORROSION RESISTANT STEEL PLUNGER



NOTES

- ① MOUNTING HOLES WILL ACCEPT .087 MAX DIA PINS OR SCREWS ON .188±.002 CENTERS
- ② ACTUATION IN LINE WITH ARROW "A" IS RECOMMENDED
- ③ WEIGHT OF SWITCH ONLY IS .16 OZ MAX. WEIGHT OF SWITCH WITH WIRE LEADS IS .55 OZ MAX
- 4 BASIC SWITCH HAS GOLD PLATED SILVER CONTACTS

CHARACTERISTICS	
OPERATING FORCE	5-17 OZ
RELEASE FORCE	4 OZ MIN
RELEASE TRAVEL	.004 MIN
DIFFERENTIAL TRAVEL	.005 MAX
OVERTRAVEL	.004 MIN

ELECTRICAL DATA	
CONTACT ARRANGEMENT S P D T	
28 VOLTS DC RATING	SEA LEVEL
INDUCTIVE	4 AMP
RESISTIVE	7 AMP
LAMP	1 AMP
MOTOR	2.5 AMP
115 V 400 CYCLES	SEA LEVEL
RESISTIVE	7 AMP
INDUCTIVE	4 AMP
LAMP	1 AMP
MOTOR	1.5 AMP

DESIGN UNITS: INCH	
TOLERANCES UNLESS NOTED:	
NO PLACE	X ±
ONE PLACE	.X ±
TWO PLACE	.XX ±
THREE PLACE	.XXX ±
FOUR PLACE	.XXXX ±
ANGLES	±
THIRD ANGLE PROJECTION	

DRAWN	KRB	09SEP05
CHECK	RJ	09SEP05
THIS DRAWING COVERS A PROPRIETARY ITEM AND IS THE PROPERTY OF HONEYWELL. THIS DRAWING IS NOT TO BE COPIED OR USED WITHOUT THE PERMISSION OF HONEYWELL.		
INTERPRET PER ASME Y14.5M-1994 OTHER HONEYWELL ENGINEERING STANDARDS MAY APPLY		
RASTER		

Honeywell			
TITLE SWITCH-BASIC			
SIZE	TYPE	DRAWING NAME	REV
B	I	1XE122	B
SCALE	WEIGHT	SHEET	1 OF 1
2:1	③		