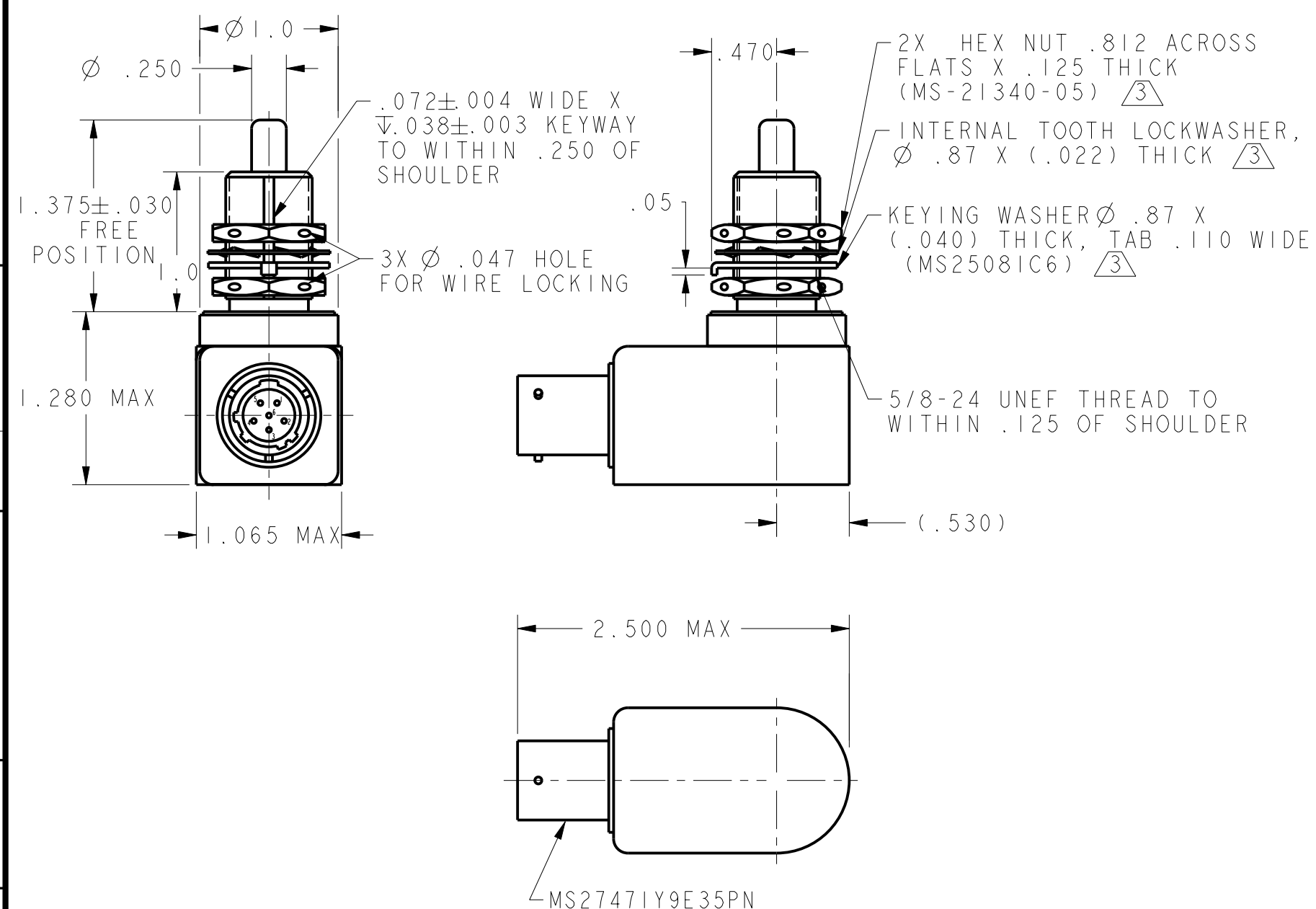
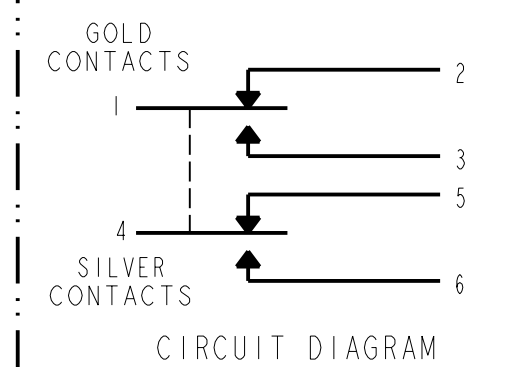


M

1EN329-R



NOTES

- ① RATING APPLIES TO CIRCUIT 1-2-3
 ② RATING APPLIES TO CIRCUIT 4-5-6
 ③ REPLACEMENT MOUNTING HARDWARE - PACKET 19PA8
 4 - PLUNGER SEAL MATERIAL - FLUOROSILICONE
 ⑤ SWITCH RESISTANCE = SWITCH CONTACT RESISTANCE AND INTERCONNECT LEADS AND CONNECTOR PINS. SWITCH CONTACT RESISTANCE SHALL NOT EXCEED $.025 \Omega$ INITIALLY AND $.040 \Omega$ AFTER MECHANICAL ENDURANCE TEST. AFTER ELECTRICAL ENDURANCE, THE SWITCH CONTACT RESISTANCE SHALL NOT EXCEED 1% OF THE LOAD IMPEDANCE USING THE ELECTRICAL PARAMETERS OF THE ELECTRICAL ENDURANCE LOAD. LEAD-WIRE AND CONNECTOR RESISTANCE = $.050 \Omega$ MAX
 ⑥ LIFE RATINGS ARE PER MIL-PRF-8805 REQUIREMENTS. ACTUAL LIFE EXCEEDS RATED LIFE. CONTACT HONEYWELL-MICRO SWITCH FOR ADDITIONAL DATA
 7 - CIRCUIT DIAGRAM, CATALOG LISTING, FED. MFG. CODE AND DATE CODE ARE PERMANENTLY MARKED ON SIDE OF HOUSING
 ⑧ HARDWARE MAY BE PACKAGED UNASSEMBLED PER MIL-PRF-8805
 ⑨ CONTACT HONEYWELL-MICRO SWITCH IF ADDITIONAL INFORMATION ON LOW ENERGY LOADS IS REQUIRED OR FOR HELP WITH SPECIFIC APPLICATION

SPECIFICATION DETAILS:

STANDARD:	CONFORMS TO MS24331-1 (MIL-PRF-8805/40), EXCEPT AS NOTED			
CONSTRUCTION:				
ENCLOSURE DESIGN	WATERTIGHT SEAL PER MIL-PRF-8805, SYMBOL 3			
CONTACT MATERIAL & CONFIGURATION	SMOOTH SILVER CONTACTS & SMOOTH GOLD CONTACT			
CIRCUIT CONFIGURATION	2 SPDT			
TERMINATION	CONNECTOR PER MS27471Y9E35PN			
WEIGHT	.46 LB MAX			
EXPOSED METALS	CORROSION RESISTANT STAINLESS STEEL			
ELECTRICAL CHARACTERISTICS:				
ELECTRICAL RATINGS	VOLTAGE	RESISTIVE	LOAD INDUCTIVE	MOTOR
-SEA LEVEL	28 VDC	$\frac{2}{4}$	$\frac{1}{1}$	$\frac{2}{4}$
-50,000 FEET	28 VDC	4	1	4
DIELECTRIC STRENGTH & INSULATION RESISTANCE	DIELECTRIC STRENGTH		INSULATION RESISTANCE	
	≈ 60 Hz. FOR 5 SECONDS)		(500 VDC $\pm 10\%$)	
-BETWEEN TERMINALS AND EXPOSED NON-CURRENT CARRYING METAL	1000 V Rms, 500 μ A		1000 Megohms MIN	
-BETWEEN TERMINALS OF MUTUALLY INSULATED CIRCUITS	1000 V Rms, 500 μ A		1000 Megohms MIN	
-BETWEEN ALL UNCONNECTED TERMINALS OF THE SAME POLE	1000 V Rms, 500 μ A		1000 Megohms MIN	
SWITCH RESISTANCE	CIRCUIT 1-3 $\frac{5}{3}$; CIRCUIT 4-6 N/A			
RECOMMENDATION OR USE IN APPLICATIONS LESS THAN .5 amps AND/OR 12 volts	NO $\frac{9}{9}$ CIRCUIT 4-6 YES $\frac{9}{9}$ CIRCUIT 1-3			
MECHANICAL CHARACTERISTICS:				
CHARACTERISTICS:				
OPERATING FORCE	6-12 LBS			
FULL OVERTRAVEL FORCE	30 LB MAX			
RELEASE FORCE	4 LB MIN			
PRETRAVEL	.040 MAX			
DIFFERENTIAL TRAVEL	.020 MAX			
OVERTRAVEL	.250 MIN			
COINCIDENCE OF OPERATING & RELEASE POINTS	.010 OF PLUNGER TRAVEL			
MOUNTING STRENGTH	15 IN-LBS			
ACTUATOR STRENGTH	30 LBS APPLIED IN A DIRECTION TO CAUSE SWITCH ACTUATION			
LIFE:				
MECHANICAL LIFE	25,000 MIN. PER MIL-PRF-8805/40 $\frac{6}{6}$			
ELECTRICAL LIFE AT FULL RATED LOAD	25,000 MIN. PER MIL-PRF-8805/40 $\frac{6}{6}$			
ENVIRONMENTAL:				
TEMPERATURE RANGE	-55 C TO +85 C			
ALTITUDE RANGE	SEA LEVEL TO 50,000 FEET			
SHOCK	PER MIL-PRF-8805 SYMBOL M - 100 g			
VIBRATION	PER MIL-PRF-8805 SYMBOL I - 10-500 Hz. & 10 g peak			
MOISTURE RESISTANCE	PER MIL-PRF-8805 (10 DAY TEST)			
THERMAL SHOCK	PER MIL-PRF-8805 (5 CYCLE TEST)			
SALT SPRAY	PER MIL-PRF-8805 (96 HOUR TEST)			

THIS DRAWING COVERS A PROPRIETARY ITEM AND IS THE PROPERTY OF MICRO SWITCH, A DIVISION OF HONEYWELL. THIS DRAWING IS NOT TO BE COPIED OR USED WITHOUT THE APPROVAL OF MICRO SWITCH.

MICRO SWITCH
a Honeywell Division

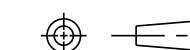
SWITCH-ENCLOSED

CATALOG LISTING

1EN329-R

FED. MFG. CODE 91929

THIRD ANGLE PROJECTION



SCALE FULL

DO NOT SCALE PRINT

UNLESS OTHERWISE SPECIFIED TOLERANCES ARE

ONE PLACE (.0) $\pm .030$ TWO PLACES (.00) $\pm .015$ THREE PLACES (.000) $\pm .005$ ANGLES \pm

WEIGHT

ANSI Y14.5M-1982 APPLIES

1EN329-R

DRAWING NUMBER

ISSUE

6

REVISIONS

A

200909

GJW

4 AUG 00

DRAWN

GJW

4 AUG 00

CHECK

SAV

4 AUG 00

CHECK

SAV

4 AUG 00

CHECK

SAV

4 AUG 00

CHECK

SAV

4 AUG 00

CHECK

SAV

4 AUG 00

CHECK

SAV

4 AUG 00

CHECK

SAV