

MICRO SWITCH

A DIVISION OF MINNEAPOLIS-HONEYWELL REGULATOR COMPANY
 PHOENIX, ARIZONA
 FED. MFR. CODE 91929

SWITCH - BASIC

CATALOG LISTING
1HS103

1HS103

M

DRAWING NUMBER

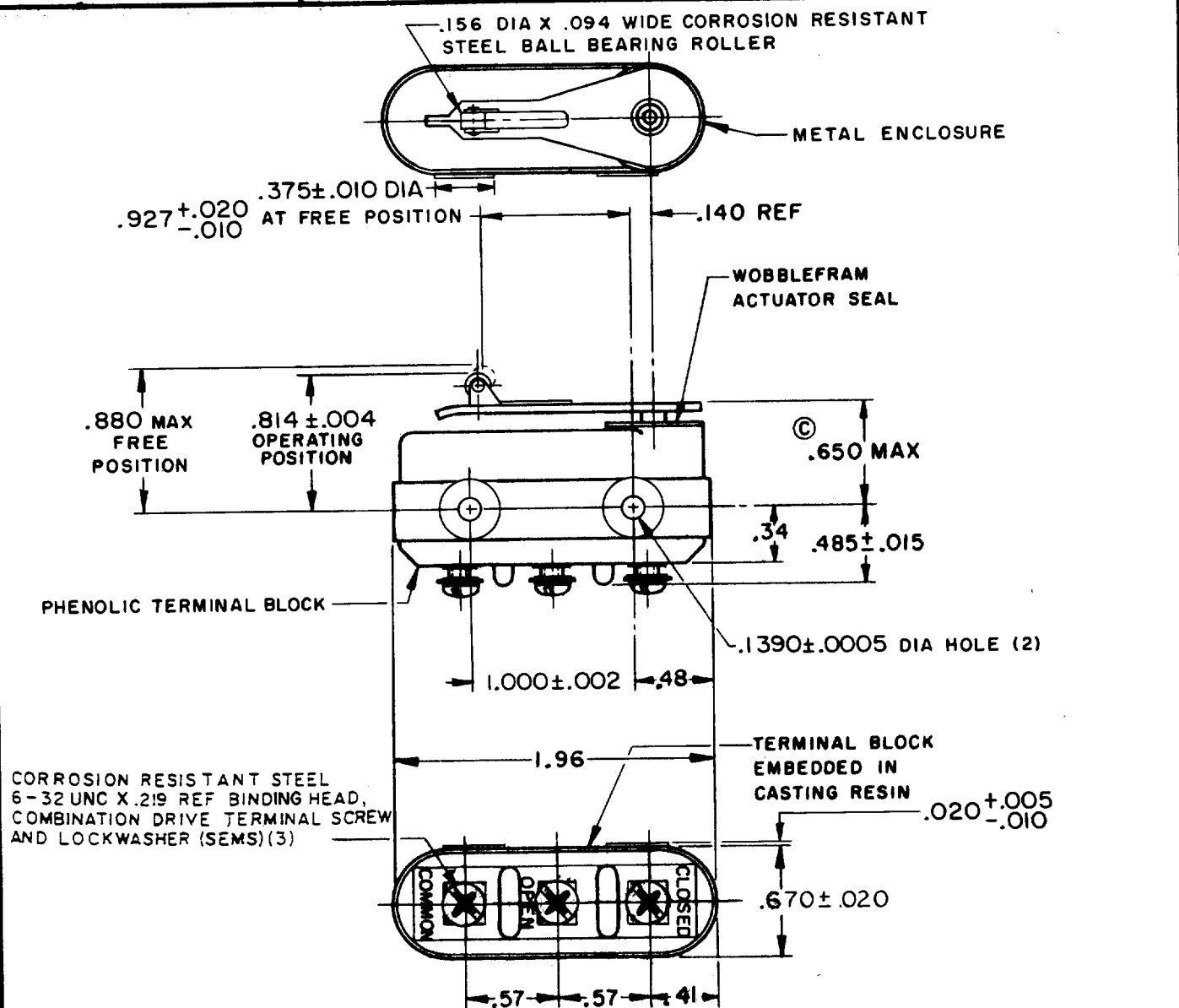
X X 10

ISSUE

REVISIONS

A	MADE MP5	20 NOV 61
B	SR10463	23 AUG 62
C	CO19072	13 MAY 64
D	CO56087	9 NOV 84
E	CO57626	20 JUN 85
F	CO 55162	10 DEC 85
G	CO 61043	16 SEP 88
H	CO65768	12 JUN 89
J	76375	2 SEPT 93

DRAWN
 O MW 17 APR 61
 CHECK
 DAW 31 AUG 62
 CHECK
 FTH 18 APR 61
 CHECK
 SR 10463
 RELEASE NO.



- NOTE -**
- 1 - THIS SWITCH IS FOR LEFT HAND MOUNTING ONLY
 - 2 - THIS SWITCH IS RECOMMENDED FOR USE IN AMBIENT TEMPERATURES FROM 250°F TO MINUS 65°F
 - 3 - .006 MAX ROLLER SLANT ACROSS LENGTH OF ROLLER MEASURED FROM CENTER LINE OF MOUNTING HOLES
 - 4 - THE MASS OF THE MOVING CONTACT IS .22 GRAM

THIS DRAWING COVERS A PROPRIETARY ITEM AND IS THE PROPERTY OF MICRO SWITCH, A DIVISION OF MINNEAPOLIS-HONEYWELL REGULATOR CO. THIS DRAWING IS NOT TO BE COPIED OR USED WITHOUT THE APPROVAL OF MICRO SWITCH.

CHARACTERISTICS	ELECTRICAL DATA			SCALE FULL
OPERATING FORCE ----- 10 - 22 OZ	CONTACT ARRANGEMENT S P D T			DO NOT SCALE PRINT
RELEASE FORCE ----- 4 OZ MIN	LINE VOLTAGE	INDUCTIVE LOAD	RESISTIVE LOAD	UNLESS OTHERWISE SPECIFIED DIMENSIONS ARE IN INCHES TOLERANCES ARE:
DIFFERENTIAL TRAVEL ----- .013 MAX	28 V.D.C.	5 AMP.	15 AMP.	
OVERTRAVEL ----- .035-.047				ONE PLACE (.0) ±.030 TWO PLACE (.00) ±.015 THREE PLACE (.000) ±.005 ANGLES ±
				WEIGHT 1.9 OZ MAX