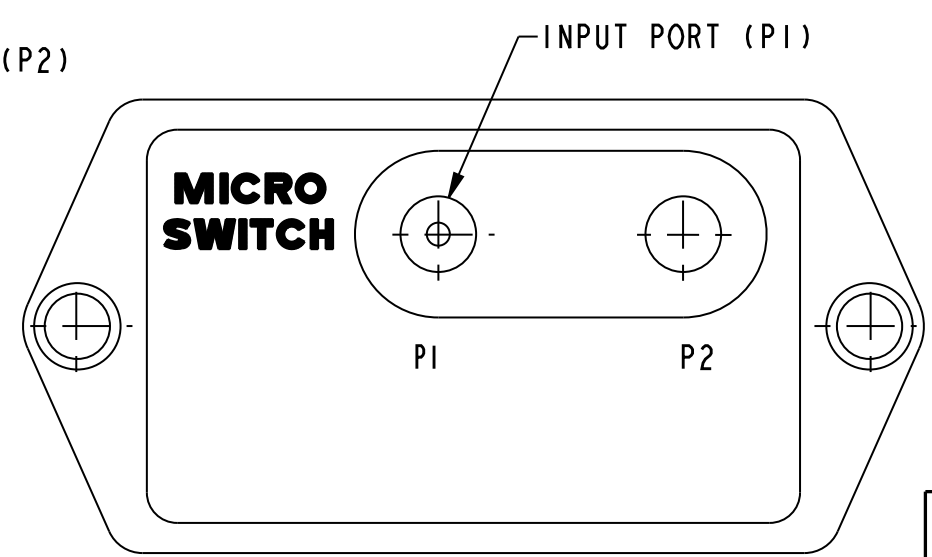
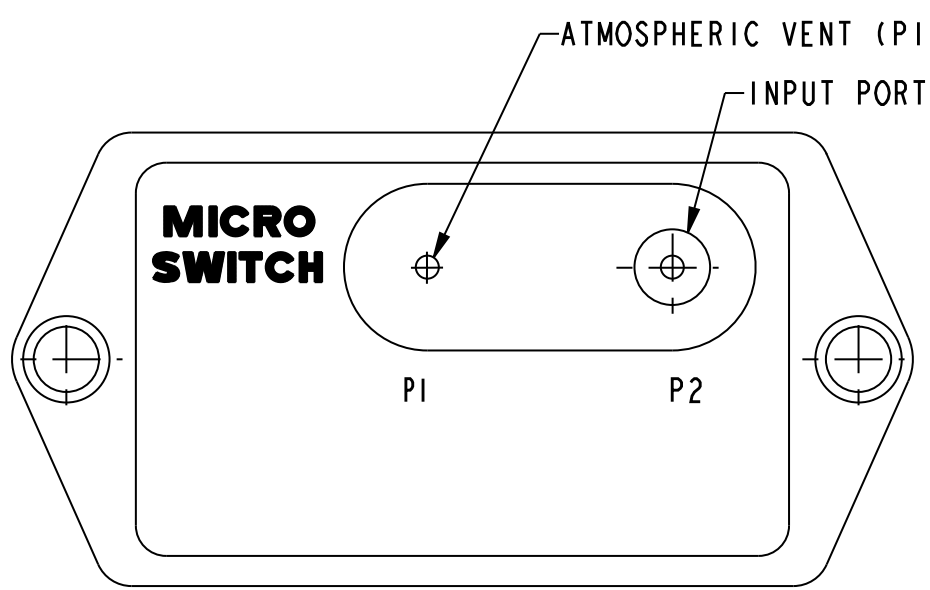
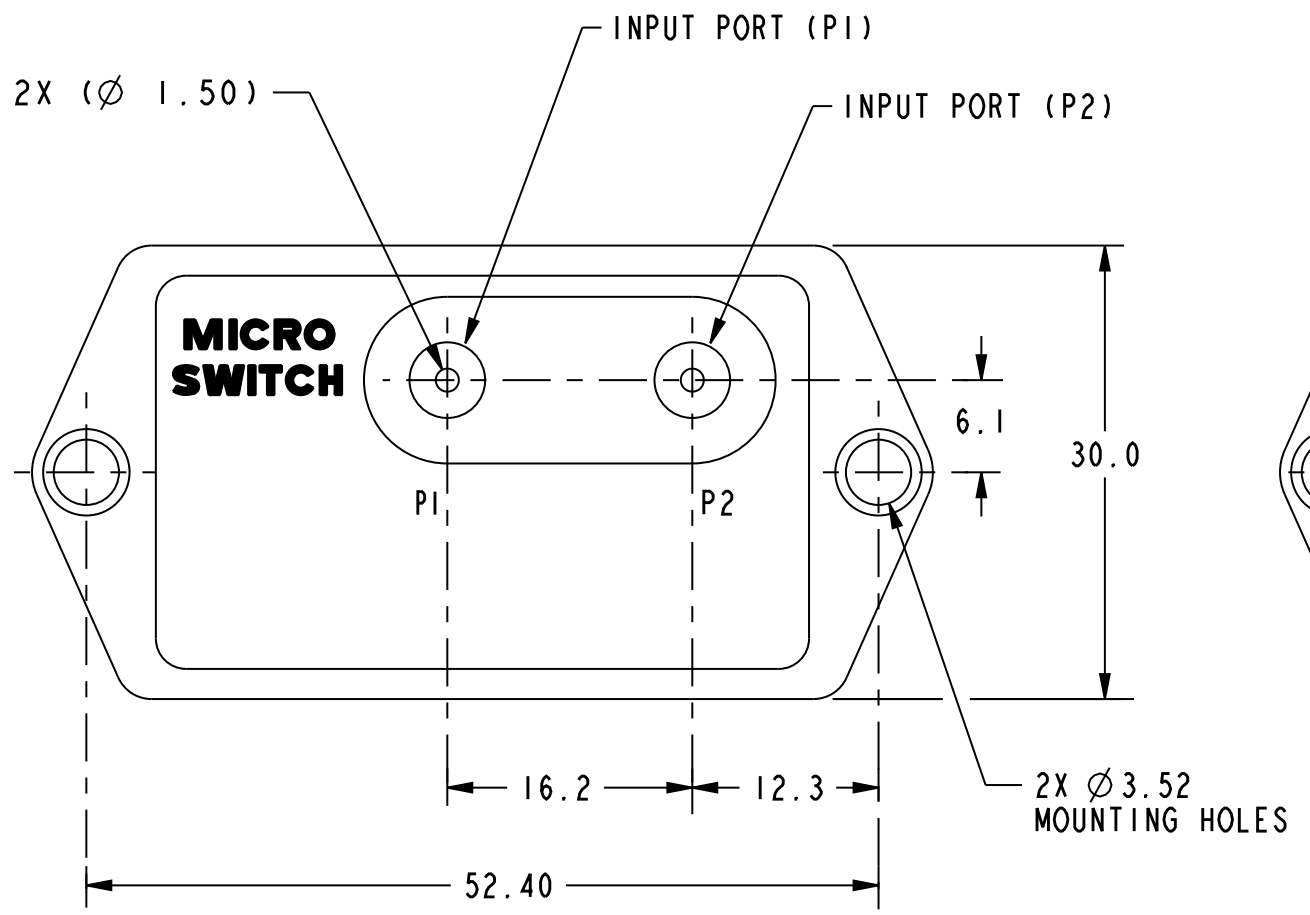
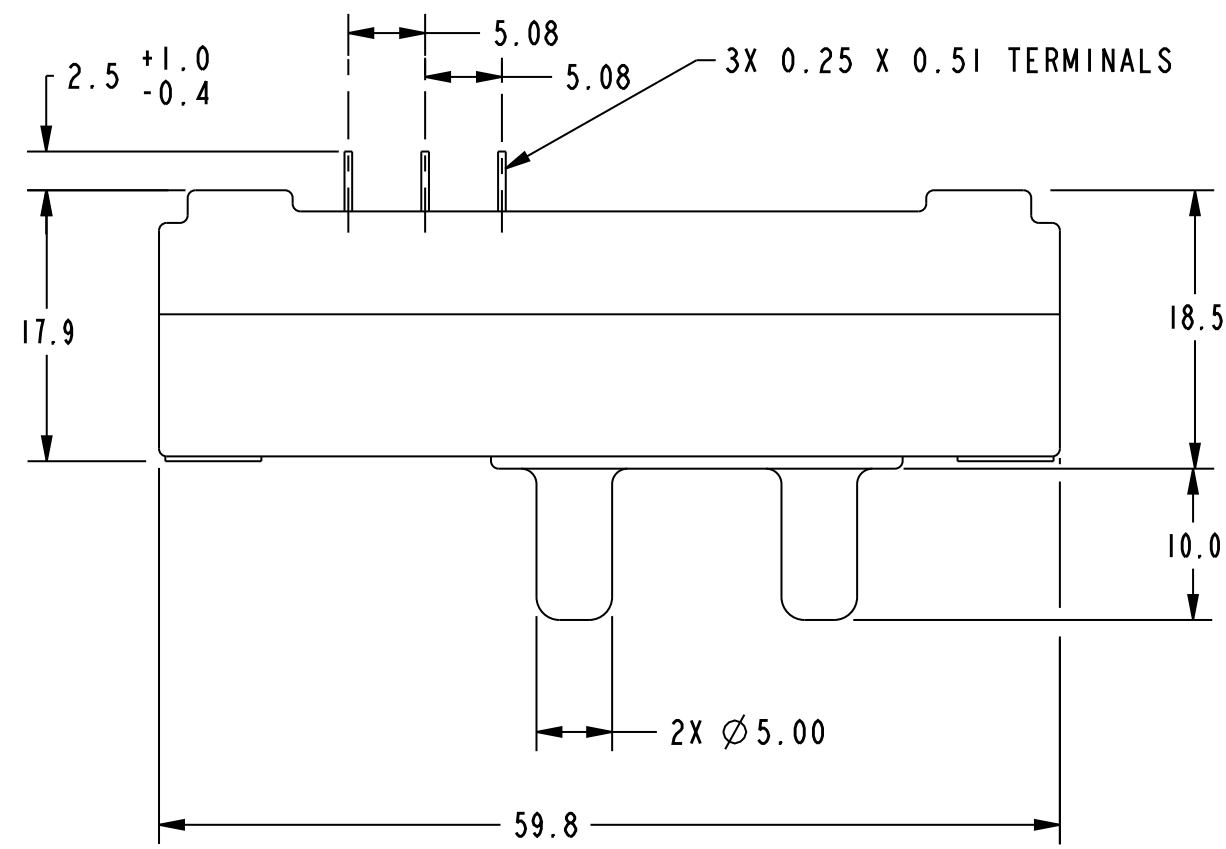
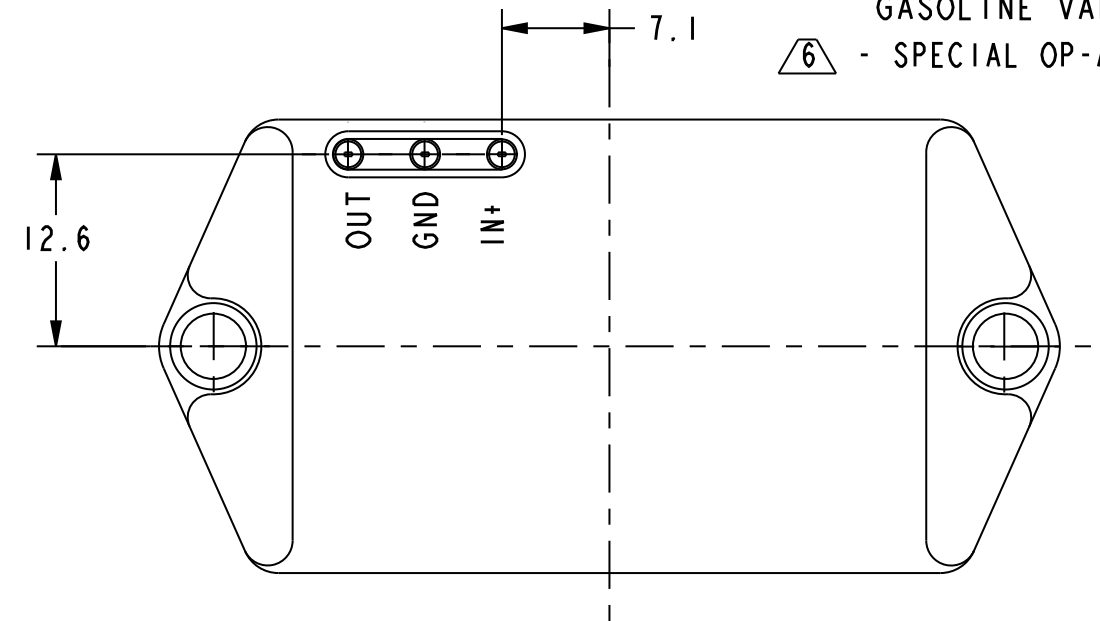


CATALOG LISTING	TYPE	OPERATING PRESSURE RANGE
141PC15D	D	0 TO -14.7 PSID
141PC15G	G	0 TO -14.7 PSIG
142PC15A	A	0 TO 15 PSIA
142PC15D	D	0 TO 15 PSID
142PC15G	G	0 TO 15 PSIG
142PC15A104/6	A	0 TO 15 PSIA

NOTES:
 1 - INPUT MEDIA:
 P1 - DRY GASES ONLY: CONNECTION SIDE OF SENSOR
 P2 - LIMITED ONLY TO THOSE MEDIA THAT WILL NOT ATTACK POLYESTER, SILICON OR SILICONE BASED ADHESIVE
 2 - TERMINALS ARE PLATED FOR SOLDERING
 3 - LIMIT SOLDERING TO 315°C MAX FOR 10 SECONDS MAX
 4 - UNITS ARE OF PLASTIC CONSTRUCTION
 5 - P2 - MATERIAL SELECTED FOR RESISTANCE TO GASOLINE AND GASOLINE VAPORS
 6 - SPECIAL OP-AMP LEADED



GENERAL OPERATING CHARACTERISTICS	
PRESSURE RANGE	0 TO 775 mmHg (0 TO 15 PSI)
OVERPRESSURE	45 PSIG
TEMPERATURE RANGES	
STORAGE	-55 TO +125° C
OPERATING	-40 TO +85° C
COMPENSATED	-18 TO 63° C
SUPPLY VOLTAGE	7 TO 16 VDC
SUPPLY CURRENT	20mA MAX WITH 10K LOAD
OUTPUT VOLTAGE	PROPORTIONAL TO SUPPLY VOLTAGE OVER ABOVE RECOMMENDED RANGE
SHORT CIRCUIT LIMIT	MAY BE SHORTED INDEFINITELY
OUTPUT RIPPLE	NONE
GROUND REFERENCE	SUPPLY AND OUTPUT ARE COMMON

ELECTRICAL PERFORMANCE AT 25°C AND 8.00 ± .01 VDC SUPPLY	
OUTPUT VOLTAGE	
141PC15D	
NULL (0 PSIG)	1.000 ± .050 VDC
FULL SCALE (-15 PSIG)	6.000 VDC TYP P1 > P2
SPAN	5.000 ± .050 VDC
141PC15G	
NULL (0 PSIG)	1.000 ± .050 VDC
FULL SCALE (-12.5 PSIG)	5.167 VDC TYP P1 > P2
SPAN	4.167 ± .050 VDC
142PC15D OR G	
NULL (0 PSIG)	1.000 ± .050 VDC
FULL SCALE (15 PSIG)	6.000 VDC TYP P2 > P1
SPAN	5.000 ± 0.05 VDC
SENSITIVITY	333.3 mV/PSI TYP
LINEARITY (B.F.S.L.)	.75% SPAN MAX P1 > P2 .150% SPAN MAX P2 > P1
HYSTERESIS & REPEATABILITY	.15% SPAN TYP
TEMPERATURE ERROR	
-18°C TO +63°C	1.00% SPAN MAX
-40°C TO +85°C	1.50% SPAN TYP
142PC15A / 142PC15A104	
NULL (0 PSIA)	1.000 VDC TYP
REFERENCE (2 PSIA)	1.667 ± .050 VDC
FULL SCALE (15 PSIA)	6.000 VDC TYP P1 > P2
SPAN (2 TO 15 PSIA)	4.333 ± .050 VDC
SENSITIVITY	333.3 mV/PSI TYP
LINEARITY (B.F.S.L.)	.87% SPAN MAX
HYSTERESIS & REPEATABILITY	.17% SPAN TYP
TEMPERATURE ERROR	
-18°C TO +63°C	1.15% SPAN MAX
-40°C TO +85°C	1.73% SPAN TYP

M 140PC15 SERIES CHART 1

METRIC	INCHES
0.25	.010
0.4	.016
0.51	.020
1.0	.039
1.50	.059
2.5	.10
3.52	.139
5.00	.197
5.08	.200
6.1	.24
7.1	.28
10.0	.39
12.3	.48
12.6	.50
16.2	.64
17.9	.70
18.5	.73
30.0	1.18
52.40	2.063
59.8	2.35

THIRD ANGLE PROJECTION

SCALE 2 : 1

DO NOT SCALE PRINT

TOLERANCES
 APPLY TO DESIGN UNITS. CONVERSIONS ARE ONLY FOR REFERENCE. UNLESS NOTED, TOLERANCES ARE:

NO. PLACES	SI METRIC	US CUSTOMARY
ONE PLACE	±.05	±.0005
TWO PLACES	±.005	±.0001
THREE PLACES	±.0005	±.00005

DESIGN UNITS: SI METRIC US CUSTOMARY

WEIGHT 31 G

140PC15 SERIES CHART 1
 DRAWING NUMBER
 ISSUE 22
 19MAY10
 RELEASE NO.
 REVISIONS
 A 205031
 G J W 13 MAR 02
 B 0004623
 C 0024484
 D 0064472
 PTC/CAD 2D
 G J W 13 MAR 02
 SAV 13 MAR 02
 CHECK 13 MAR 02
 CHECK 15 APR 04
 CHECK 19MAY10
 PAGES 1 OF 1
 REPLACES

THIS DRAWING COVERS A PROPRIETARY ITEM AND IS THE PROPERTY OF MICRO SWITCH, A DIVISION OF HONEYWELL. THIS DRAWING IS NOT TO BE COPIED OR USED WITHOUT THE APPROVAL OF MICRO SWITCH.

MICRO SWITCH
 a Honeywell Division

PRESSURE TRANSDUCER

CATALOG LISTING
140PC15 SERIES CHART 1

FED. MFG. CODE 91929

ANSI Y14.5M-1982 APPLIES