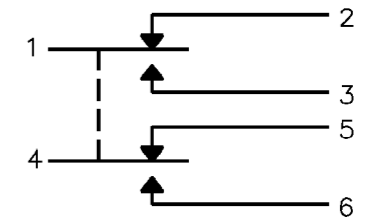


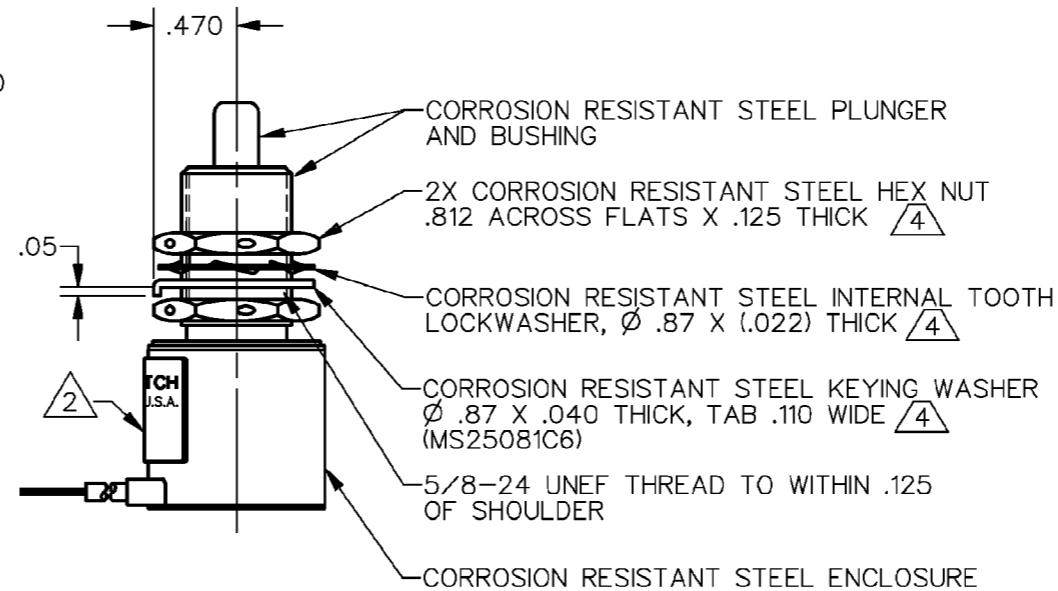
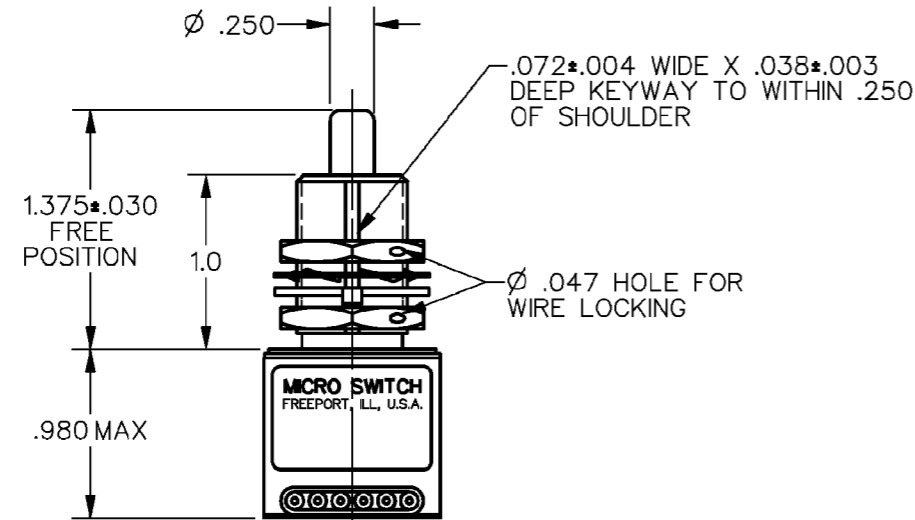
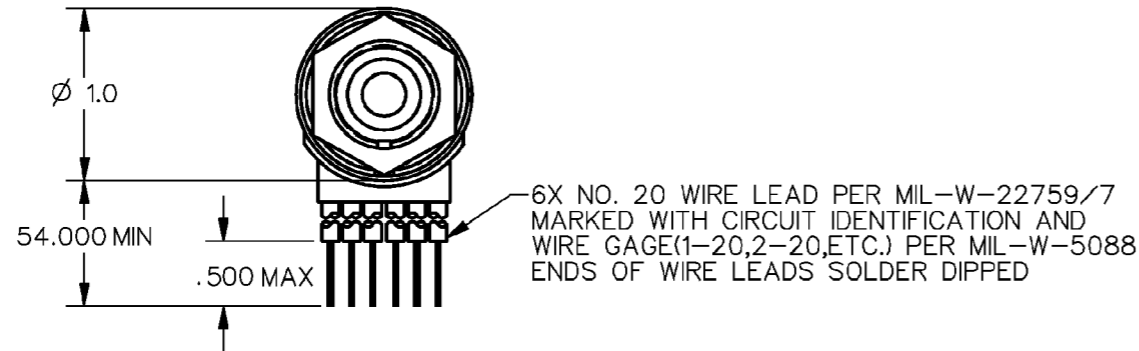
**MICRO SWITCH**  
a Honeywell Division  
FED. MFG. CODE 91929

SWITCH — ENCLOSED

CATALOG LISTING  
**1CH25**



CIRCUIT DIAGRAM



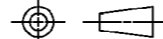
DDM/CAD DRAWN SAV 12 MAR 94 CHECK D A W 29 MAR 94  
 ISSUE 21 AK 23 JUL 04 CHECK AK 2 MAR 04  
 CATALOG LISTING 1CH25 RELEASE NO. SR-11818  
 REPLACES

REVISIONS

A	CO-77504-A	12 MAR 94
B	CO-84035	3 JUL 97
C	0003692	2 MAR 04
D	0006564	23 JUL 04

THIS DRAWING COVERS A PROPRIETARY ITEM AND IS THE PROPERTY OF MICRO SWITCH, A DIVISION OF HONEYWELL. THIS DRAWING IS NOT TO BE COPIED OR USED WITHOUT THE APPROVAL OF MICRO SWITCH

THIRD ANGLE PROJECTION



SCALE FULL

DO NOT SCALE PRINT

CHARACTERISTICS	
OPERATING FORCE	6-12 LB
FULL OVERTRAVEL FORCE	30 LB MAX
RELEASE FORCE	4 LB MIN
PRETRAVEL	.040 MAX
DIFFERENTIAL TRAVEL	.020 MAX
OVERTRAVEL	.250 MIN

ELECTRICAL DATA		
CONTACT ARRANGEMENT 2X SPDT		
LOAD	28 VDC	
	SEA LEVEL	50,000 FT.
RES	4	4
IND	2	2
MOTOR	4	

UNLESS OTHERWISE SPECIFIED TOLERANCES ARE

ONE PLACE	(.0)	±.030
TWO PLACE	(.00)	±.015
THREE PLACE	(.000)	±.005
ANGLES		±

WEIGHT 8.0 OZ MAX

NOTES

- 1 - SWITCH SEALED PER MIL-PRF-8805, SYMBOL 3
- 2 MICRO IDENTIFICATION, CATALOG LISTING, CIRCUIT DIAGRAM AND DATE CODE ARE SHOWN ON NAMEPLATE
- 3 - COINCIDENCE OF OPERATING AND RELEASING POINTS: .010 OF PLUNGER TRAVEL
- 4 HARDWARE MAY BE PACKAGED UNASSEMBLED PER MIL-PRF-8805

ANSI Y14.5M-1982 APPLIES