

**MICRO SWITCH**

FREEPORT ILLINOIS U S A  
A DIVISION OF HONEYWELL

FED. MFG. CODE 91929

**SWITCH - ENCLOSED**

CATALOG LISTING  
**1EN107 - R**

FURNISHED UNDER U.S. GOVERNMENT CONTRACT NO. \_\_\_\_\_  
AND NO PORTION HEREOF SHALL BE RELEASED OUTSIDE THE GOVERNMENT  
(EXCEPT TO FOREIGN GOVERNMENTS SUBJECT TO THE SAME LIMITATIONS)  
NOR BE DISCLOSED, USED, OR DUPLICATED FOR PROCUREMENT OR MAN-  
UFACTURING PURPOSES EXCEPT AS OTHERWISE AUTHORIZED BY CONTRACT  
BETWEEN THE GOVERNMENT AND MICRO SWITCH, A DIVISION OF HONEYWELL  
INC. WITHOUT THE PERMISSION OF THE LATTER. THIS LEGEND SHALL BE  
MARKED ON ANY REPRODUCTION HEREOF IN WHOLE OR IN PART.

CATALOG LISTING  
**1EN107 - R**  
PAGE 1 OF 1

**M**

ISSUE  
**33**

REVISIONS

|   |     |         |           |
|---|-----|---------|-----------|
| A | CO  | 44351   | 12 APR 79 |
| B | CO  | 46730   | 8 NOV 79  |
| C | CO  | 54075   | 14 OCT 83 |
| D | CEC | 206642  | 24 OCT 02 |
| E | CSL | 0042194 | 04AUG08   |

04AUG08

20 APR 79

CEB

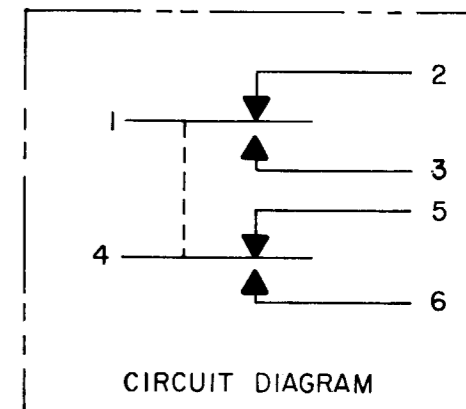
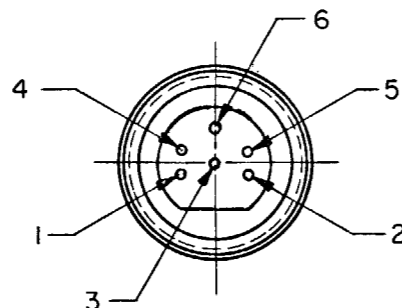
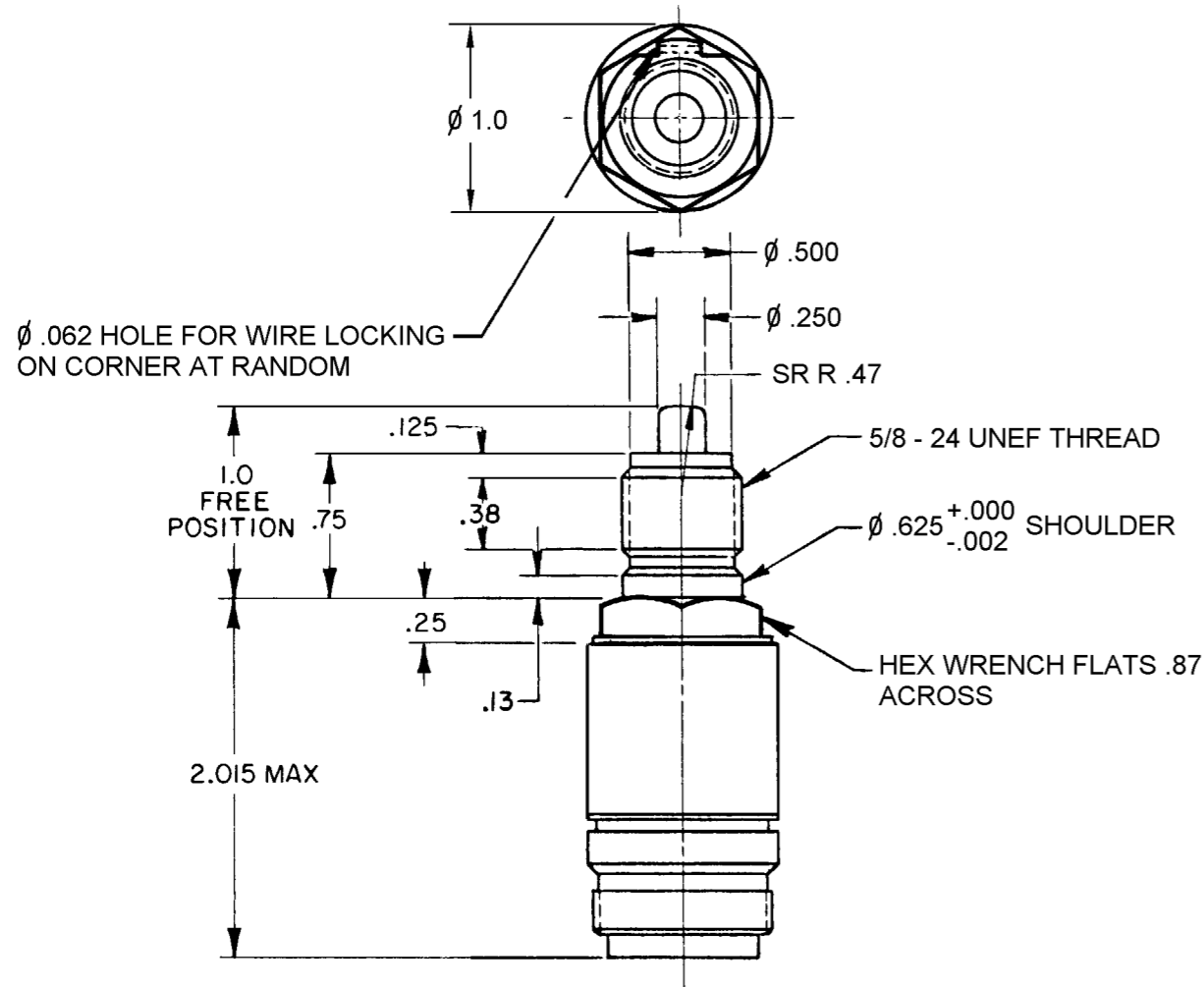
CHEK

79

12 APR 79

SLB

REPLACES SR-8445



ANSI Y14.5M-1982 APPLIES

THIS DRAWING COVERS A PROPRIETARY ITEM AND IS THE PROPERTY OF MICRO SWITCH, A DIVISION OF HONEYWELL. THIS DRAWING IS NOT TO BE COPIED OR USED WITHOUT THE APPROVAL OF MICRO SWITCH.

THIRD ANGLE PROJECTION

SCALE FULL  
DO NOT SCALE PRINT

| CHARACTERISTICS       |           |
|-----------------------|-----------|
| OPERATING FORCE       | 6-12 LB   |
| FULL OVERTRAVEL FORCE | 30 LB MAX |
| RELEASE FORCE         | 4 LB MIN  |
| PRETRAVEL             | .040 MAX  |
| DIFFERENTIAL TRAVEL   | .020 MAX  |
| OVERTRAVEL            | .140 MIN  |

| ELECTRICAL DATA                    |           |            |
|------------------------------------|-----------|------------|
| CONTACT ARRANGEMENT<br>S P D T (2) |           |            |
| LOAD                               | 28 VDC    |            |
|                                    | SEA LEVEL | 50,000 FT. |
|                                    | RES       | 4          |
|                                    | IND       | 2          |
| MOTOR                              | 4         |            |

| UNLESS OTHERWISE SPECIFIED TOLERANCES ARE  |               |
|--|---------------|
| ONE PLACE  | (.0) ± .030   |
| TWO PLACE  | (.00) ± .015  |
| THREE PLACE  | (.000) ± .005 |
| ANGLES   | ±             |
| RAW MATERIAL - COMMERCIAL STANDARD<br>MICRO SWITCH STANDARDS APPLY<br>DIMENSIONS ARE TO BE MET BEFORE<br>PROTECTIVE COATINGS ARE APPLIED |               |
| WEIGHT   | 5.0 OZ MAX    |

NOTES

- SWITCH SEALED PER MIL-PRF-8805 SYMBOL 4
- CIRCUIT DIAGRAM, DATE CODE, FEDERAL MFG. CODE NO. AND CATALOG LISTING 1EN107-R PERMANENTLY MARKED ON SIDE OF HOUSING
- COINCIDENCE OF OPERATING AND RELEASING POINTS: .010 OF PLUNGER TRAVEL
- ALL EXPOSED PARTS MONEL
- CONNECTOR SECTION TO MATE WITH CONNECTOR PER DEPT. OF THE NAVY, BUREAU OF ORDNANCE SCD # 2017223 AND BURTON CONNECTOR 5006-0062