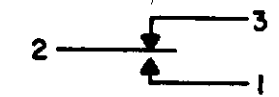


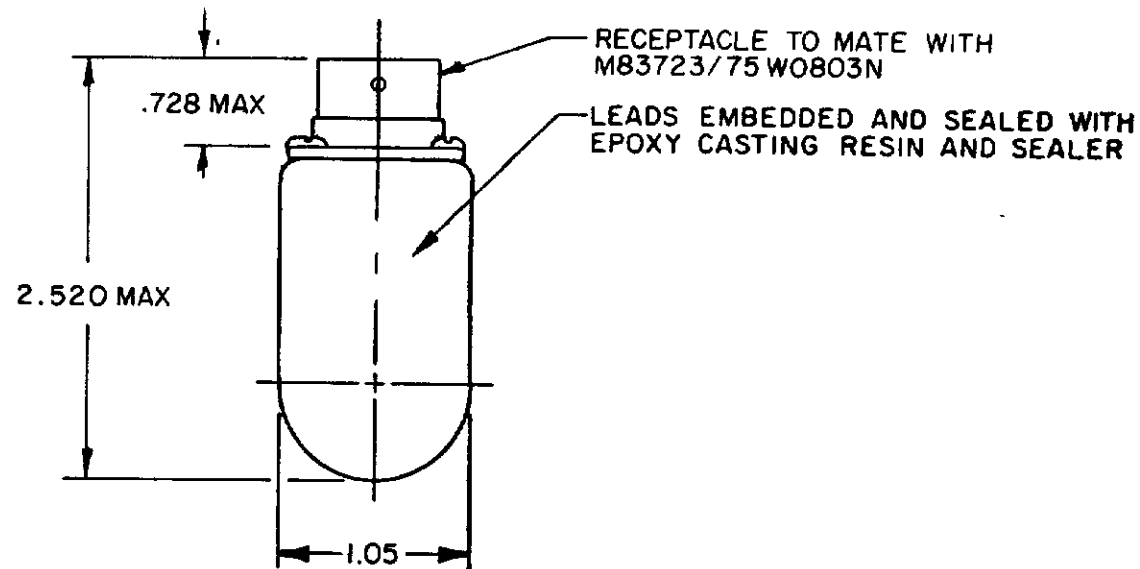
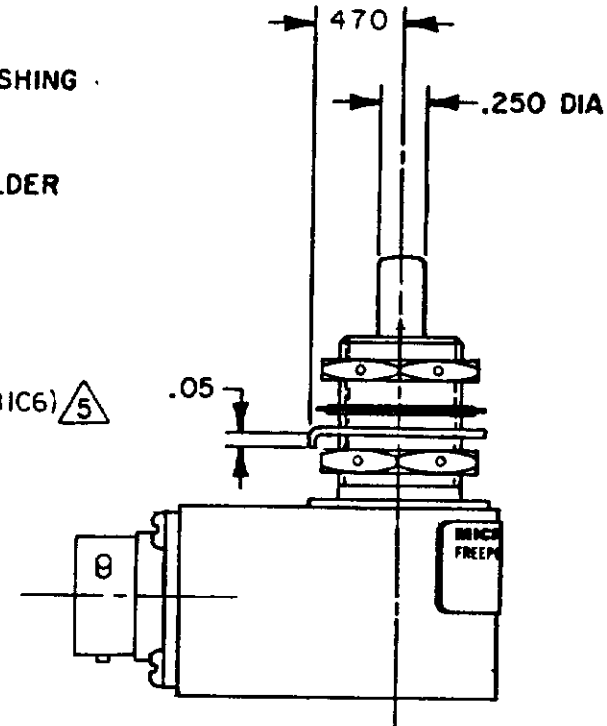
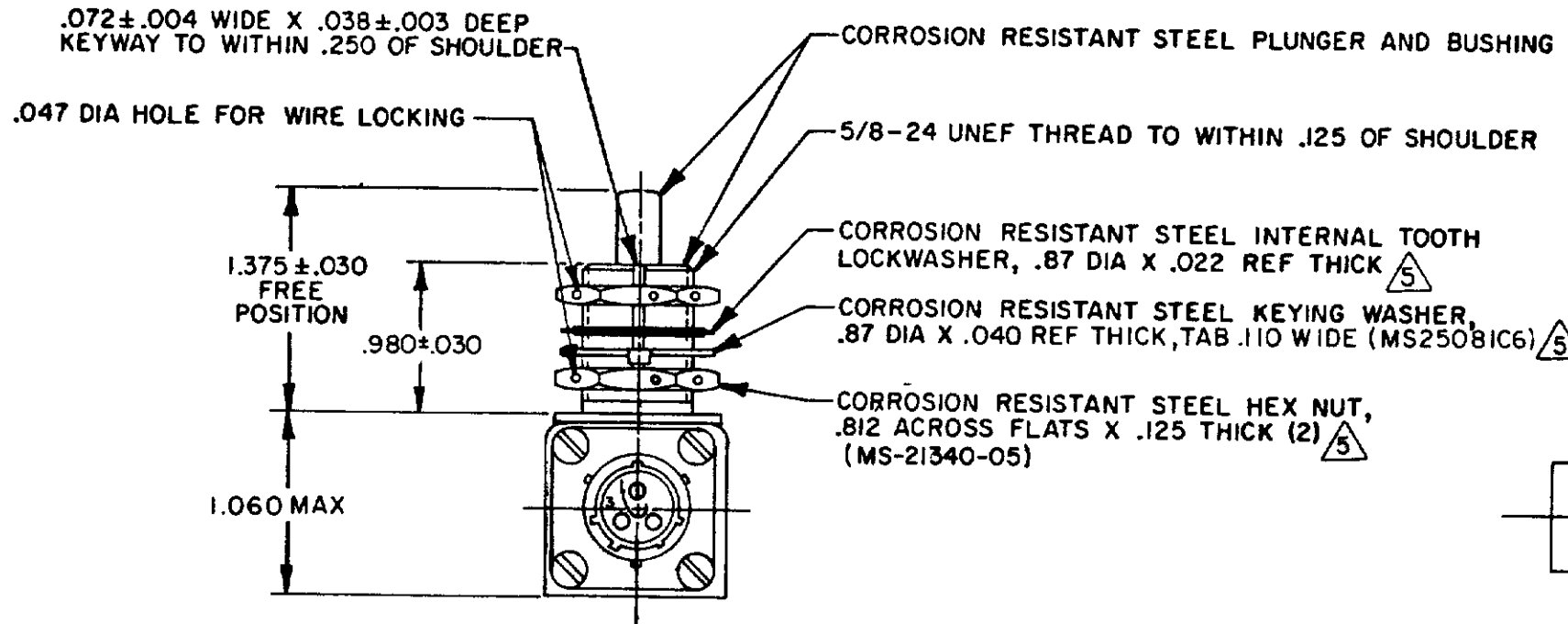
**MICRO SWITCH**  
 FREEPORT ILLINOIS U.S.A  
 A DIVISION OF HONEYWELL  
 FED MFG CODE 91889

**SWITCH - ENCLOSED**

CATALOG LISTING  
**1EN42-R7**  
 (NAVY) 6289521



CIRCUIT DIAGRAM



M 1EN42-R7  
 DRAWING NUMBER  
 ISSUE 4  
 REVISIONS  
 A PRI 17174 TSK 21 MAR 89  
 B CO 65977 19 JUL 89  
 C CO 82242 11 MAR 96  
 DRAWN TSK 21 MAR 89  
 CHECK GRT 29 APR 89  
 PO-2281-B

THIS DRAWING COVERS A PROPRIETARY ITEM AND IS THE PROPERTY OF MICRO SWITCH A DIVISION OF HONEYWELL THIS DRAWING IS NOT TO BE COPIED OR USED WITHOUT THE APPROVAL OF MICRO SWITCH

SCALE FULL	
DO NOT SCALE PRINT	
UNLESS OTHERWISE SPECIFIED TOLERANCES ARE	
ONE PLACE	(.0) ±.030
TWO PLACE	(.00) ±.015
THREE PLACE	(.000) ±.005
ANGLES	±
THIRD ANGLE PROJECTION	
WEIGHT 5.6 OZ MAX	

CHARACTERISTICS	ELECTRICAL DATA	
OPERATING FORCE	6 - 12 LB	
FULL OVERTRAVEL FORCE	30 LB MAX	
RELEASE FORCE	4 LB MIN	
PRETRAVEL	.040 MAX	
DIFFERENTIAL TRAVEL	.020 MAX	
OVERTRAVEL	.250 MIN	
	CONTACT ARRANGEMENT S P D T	
	28 VDC	
LOAD	SEA LEVEL	50,000 FT.
RES	4	4
IND	2	2
MOTOR	4	
LAMP		

- NOTES
- 1 - CORROSION RESISTANT STEEL ENCLOSURE
  - 2 - SWITCH SEALED PER MIL-S-8805 SYMBOL 4
  - 3 - CIRCUIT DIAGRAM AND CATALOG LISTING ARE SHOWN ON NAMEPLATE
  - 4 - COINCIDENCE OF OPERATING AND RELEASING POINTS: .010 OF PLUNGER TRAVEL
- ⚠ ALL STAINLESS STEEL HARDWARE MAY BE PACKAGED UNASSEMBLED PER MIL-S-8805