

MICRO SWITCH

FREEPORT, ILLINOIS, U.S.A.
A DIVISION OF HONEYWELL
FED. MFG. CODE 91929

SWITCH — ENCLOSED

CATALOG LISTING
1HE14-RB

M 1HE14-RB

DRAWING NUMBER

ISSUE

8

8

8

8

8

8

8

8

8

8

8

8

8

8

8

8

8

8

8

8

8

8

8

8

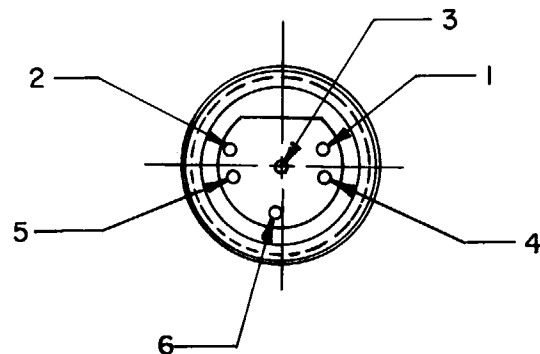
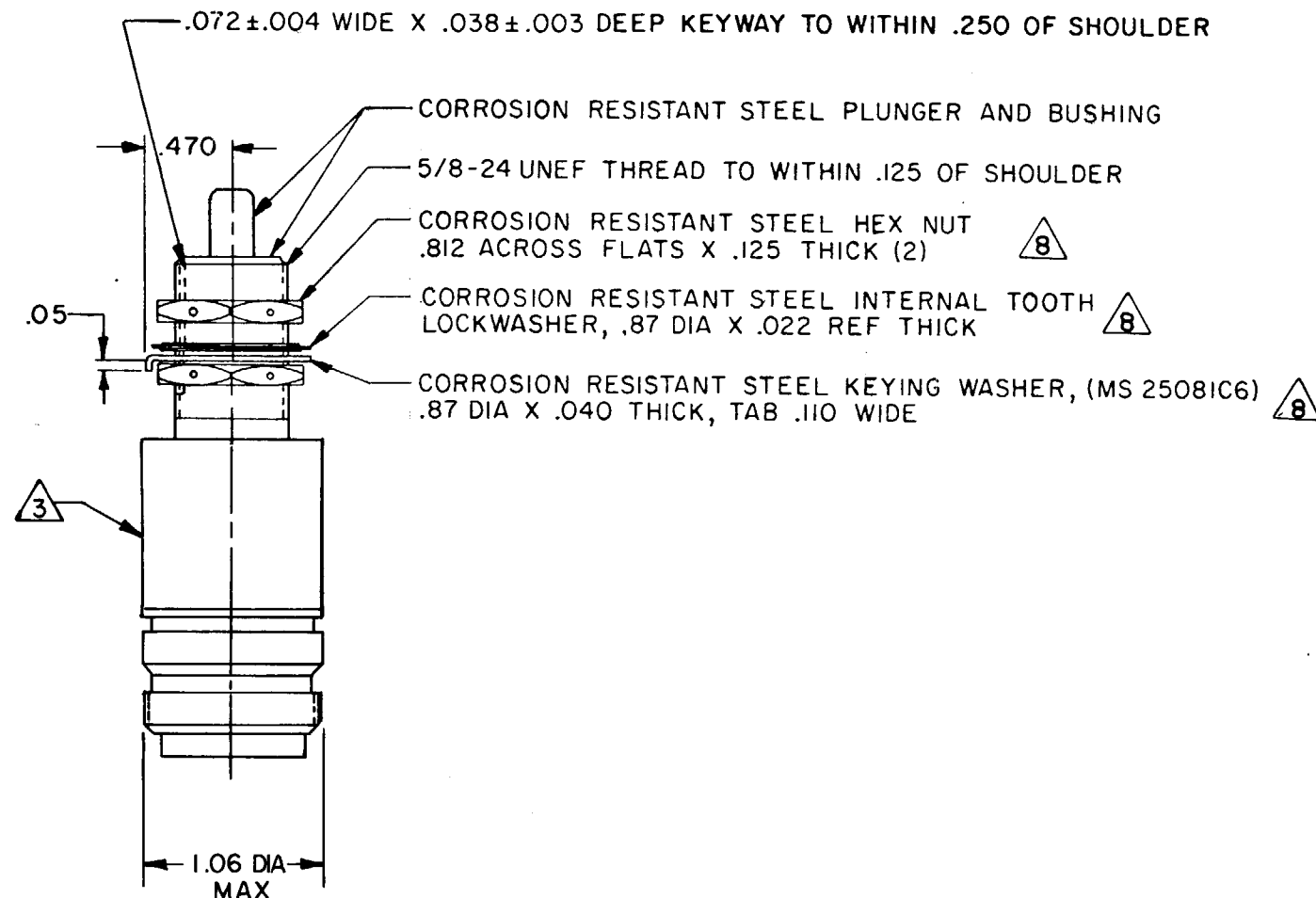
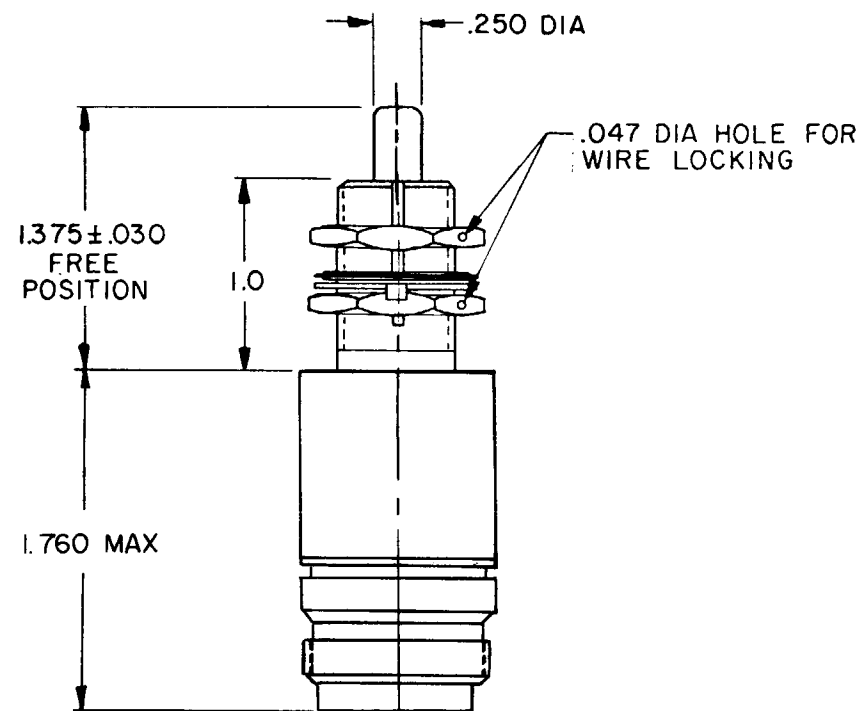
8

8

8

8

8



NOTES

- 1 - ALL EXPOSED PARTS ARE CORROSION RESISTANT STEEL
- 2 - SWITCH SEALED PER MIL-S-8805 SYMBOL 5
- 3 - CIRCUIT IDENTIFICATION, DATE CODE AND CATALOG LISTING 1HE14-RB PERMANENTLY MARKED ON SIDE OF HOUSING
- 4 - COINCIDENCE OF OPERATING AND RELEASING POINTS: .010 INCH OF PLUNGER TRAVEL
- 5 - FOR OPERATION IN TEMPERATURES OF MINUS 65°F TO PLUS 257°F
- 6 - CONTACTS HERMETICALLY SEALED AS DEFINED BY ENCLOSURE DESIGN SYMBOL 5 PER MIL-S-8805B
- 7 - CONNECTOR SECTION TO MATE WITH CONNECTOR BUORD 2017223 OR BURTON CONNECTOR 5006-0062
- 8 - HARDWARE MAY BE PACKAGED UNASSEMBLED PER MIL-S-8805

THIS DRAWING COVERS A PROPRIETARY ITEM AND IS THE PROPERTY OF MICRO SWITCH, A DIVISION OF HONEYWELL. THIS DRAWING IS NOT TO BE COPIED OR USED WITHOUT THE APPROVAL OF MICRO SWITCH.

THIRD ANGLE PROJECTION

SCALE FULL

DO NOT SCALE PRINT

TOLERANCES

APPLY TO DESIGN UNITS. CONVERSIONS ARE ONLY FOR REFERENCE. UNLESS NOTED, TOLERANCES ARE ±

	DIM.	TOL.	DIM.	TOL.
	in	mm/in	in	mm/in
NO PLACES	X	1/64	X	0.0125
ONE PLACE	X,X	0.4/016	X,X	0.08/015
TWO PLACES	X,XX	0.15/006	X,XX	0.13/005
THREE PLACES	X,XXX		X,XXX	
ANGLES				

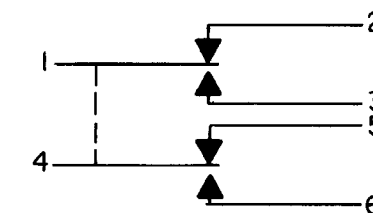
DESIGN UNITS METRIC US CUSTOMARY

RAW MATERIAL—COMMERCIAL STANDARD
MICRO SWITCH STANDARDS APPLY
DIMENSIONS ARE TO BE MET BEFORE
PROTECTIVE COATINGS ARE APPLIED

WEIGHT 5.0 OZ. MAX

CHARACTERISTICS	
OPERATING FORCE	6—12 LB
FULL OVERTRAVEL FORCE	30 LB MAX
RELEASE FORCE	4 LB MIN
PRETRAVEL	.040 MAX
DIFFERENTIAL TRAVEL	.020 MAX
OVERTRAVEL	.250 MIN

ELECTRICAL DATA		
CONTACT ARRANGEMENT		
S P D T (2)		
	28 VDC SEA LEVEL	28 VDC 100,000 FT.
RES	5	5
IND	3	3
MOTOR	4	4



CIRCUIT DIAGRAM