

MICRO SWITCH

FREEPORT ILLINOIS U.S.A.
A DIVISION OF HONEYWELL

FED MFG CODE 91989

SWITCH - ENCLOSED

CATALOG LISTING
104EN31-8

M 104EN31-8

DRAWING NUMBER

ISSUE

20

21

22

23

REVISIONS

A CO4435H

WJM

4 FEB 90

B CO47573

JAP

7 AUG 90

C CO51246C

CJH

23 SEP 82

D CO68422

MAM

6 SEP 90

E CO-73927

JAR

2 DEC 92

REPLACES

RELEASE NO.

CHECK

CHECK

CHECK

CHECK

CHECK

CHECK

CHECK

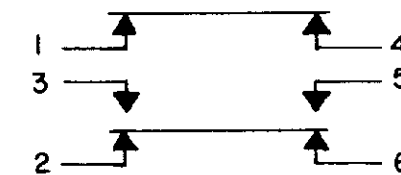
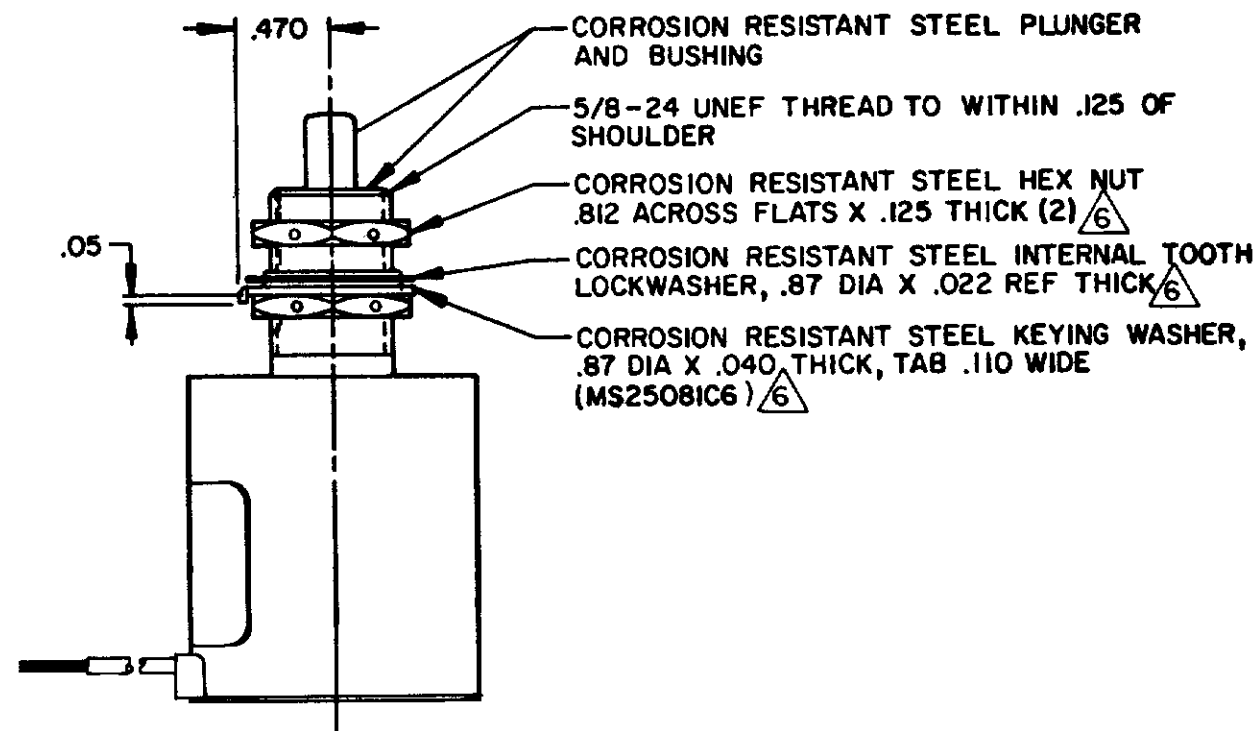
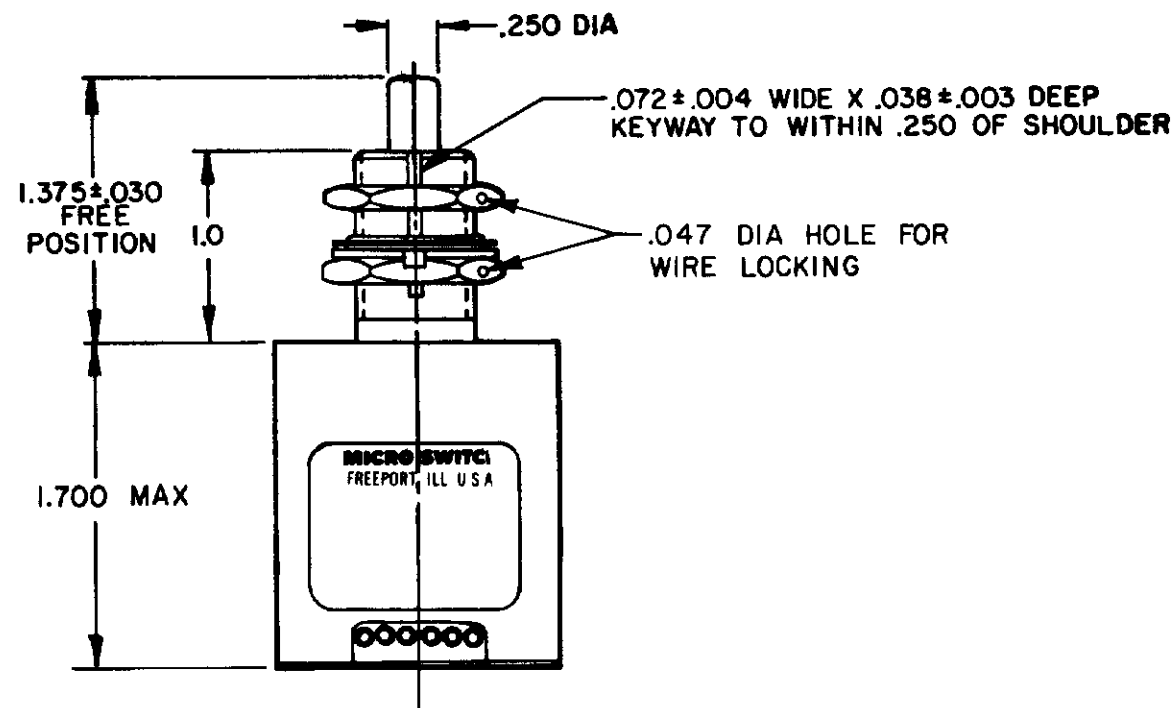
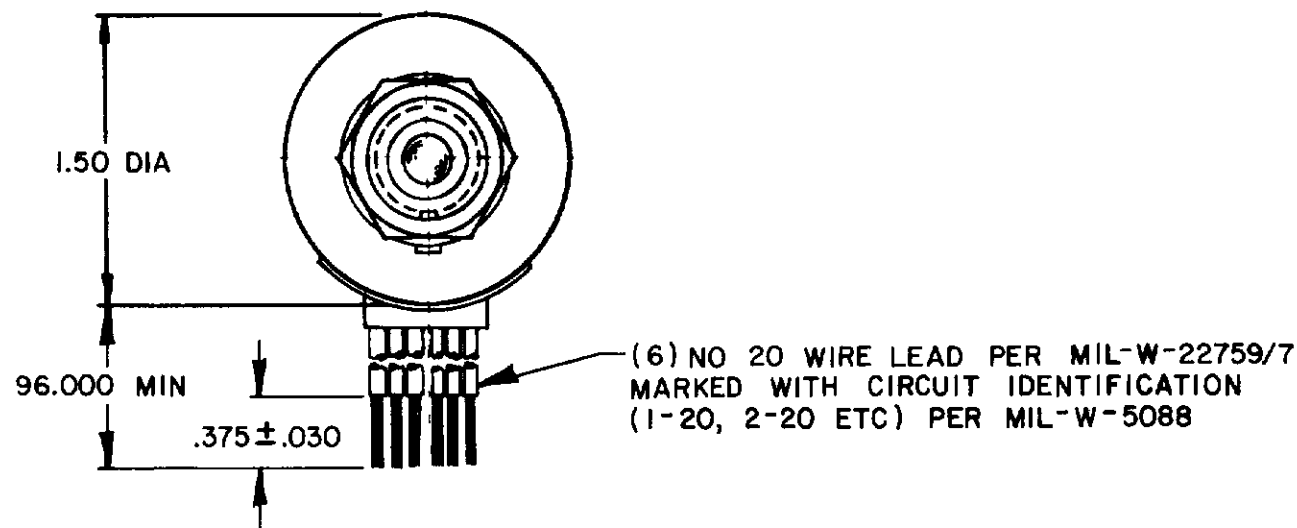
CHECK

CHECK

CHECK

CHECK

CHECK



CIRCUIT DIAGRAM

NOTES

- 1 - CORROSION RESISTANT STEEL ENCLOSURE
- 2 - SWITCH SEALED PER MIL-S-8805 SYMBOL 4
- 3 - CIRCUIT IDENTIFICATION, CATALOG LISTING, AND DATE CODE ARE SHOWN ON NAMEPLATE
- 4 - COINCIDENCE OF OPERATING AND RELEASING POINTS: .010 OF PLUNGER TRAVEL
- 5 - NOTED ELECTRICAL RATINGS APPLY AS SPECIFIED IN MIL-S-8805/40-4 UP TO 185°F
- 6 - HARDWARE MAY BE PACKAGED UNASSEMBLED PER MIL-S-8805

THIS DRAWING COVERS A PROPRIETARY ITEM AND IS THE PROPERTY OF MICRO SWITCH, A DIVISION OF HONEYWELL. THIS DRAWING IS NOT TO BE COPIED OR USED WITHOUT THE APPROVAL OF MICRO SWITCH

THIRD ANGLE PROJECTION

SCALE FULL

DO NOT SCALE PRINT

TOLERANCES

APPLY TO DESIGN UNITS CONVERSIONS ARE ONLY FOR REFERENCE UNLESS NOTED TOLERANCES ARE 2

NO PLACES	DIM	TOL	DIM	TOL
ONE PLACE	IN	1/16	IN	0.0150
TWO PLACES	IN	0.0010	IN	0.0010
THREE PLACES	IN	0.0005	IN	0.0005

DESIGN UNITS SI METRIC US CUSTOMARY

RAW MATERIAL - COMMERCIAL STANDARD

MICRO SWITCH STANDARDS APPLY

DIMENSIONS ARE TO BE MET BEFORE PROTECTIVE COATINGS ARE APPLIED

WEIGHT 13.0 OZ MAX

CHARACTERISTICS	
OPERATING FORCE	6-12 LB
FULL OVERTRAVEL FORCE	30 LB MAX
RELEASE FORCE	5 LB MIN
PRETRAVEL	.070 MAX
DIFFERENTIAL TRAVEL	.045 MAX
OVERTRAVEL	.250 MIN

ELECTRICAL DATA		
CONTACT ARRANGEMENT		
SEE CIRCUIT DIAGRAM		
28 VDC		
LOAD	SEA LEVEL	50,000 FT.
RES	15	15
IND	10	10
MOTOR	5	
LAMP		

FO-32851-A

DRAWN

WJM

4 FEB 80

CHECK

CHECK

CHECK

CHECK

CHECK

CHECK

CHECK

CHECK

CHECK

CHECK

CHECK

CHECK