

MICRO SWITCH

FREELPORT ILLINOIS U.S.A.
A DIVISION OF HONEYWELL

FED. MFG. CODE 91929

SWITCH - ENCLOSED

CATALOG LISTING
125EN56-RB

125EN56-RB

M

DRAWING NUMBER

ISSUE

REPLACES

SR-12398

RELEASE NO.

CHECK

REVISIONS

A	CO44351
C E B	14 FEB 80
B	CO47573 PART 4
R J H	14 AUG 80

CHECK

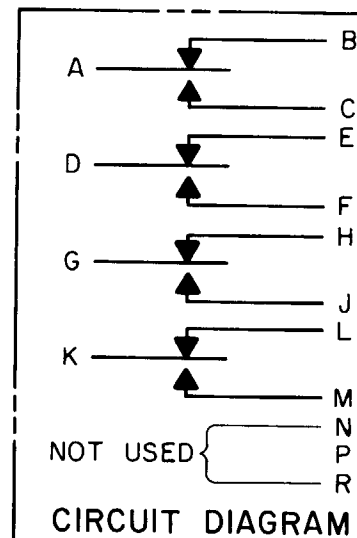
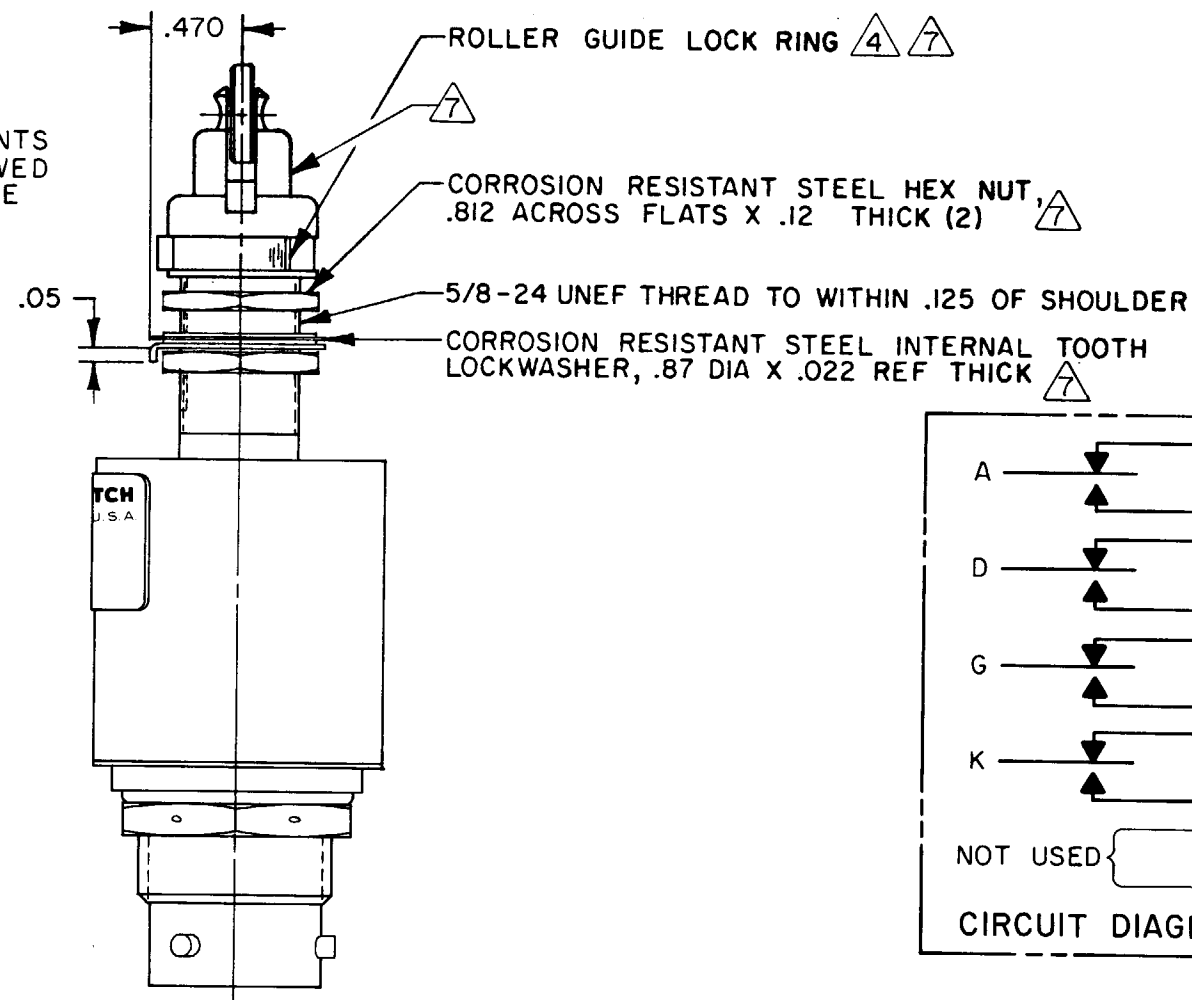
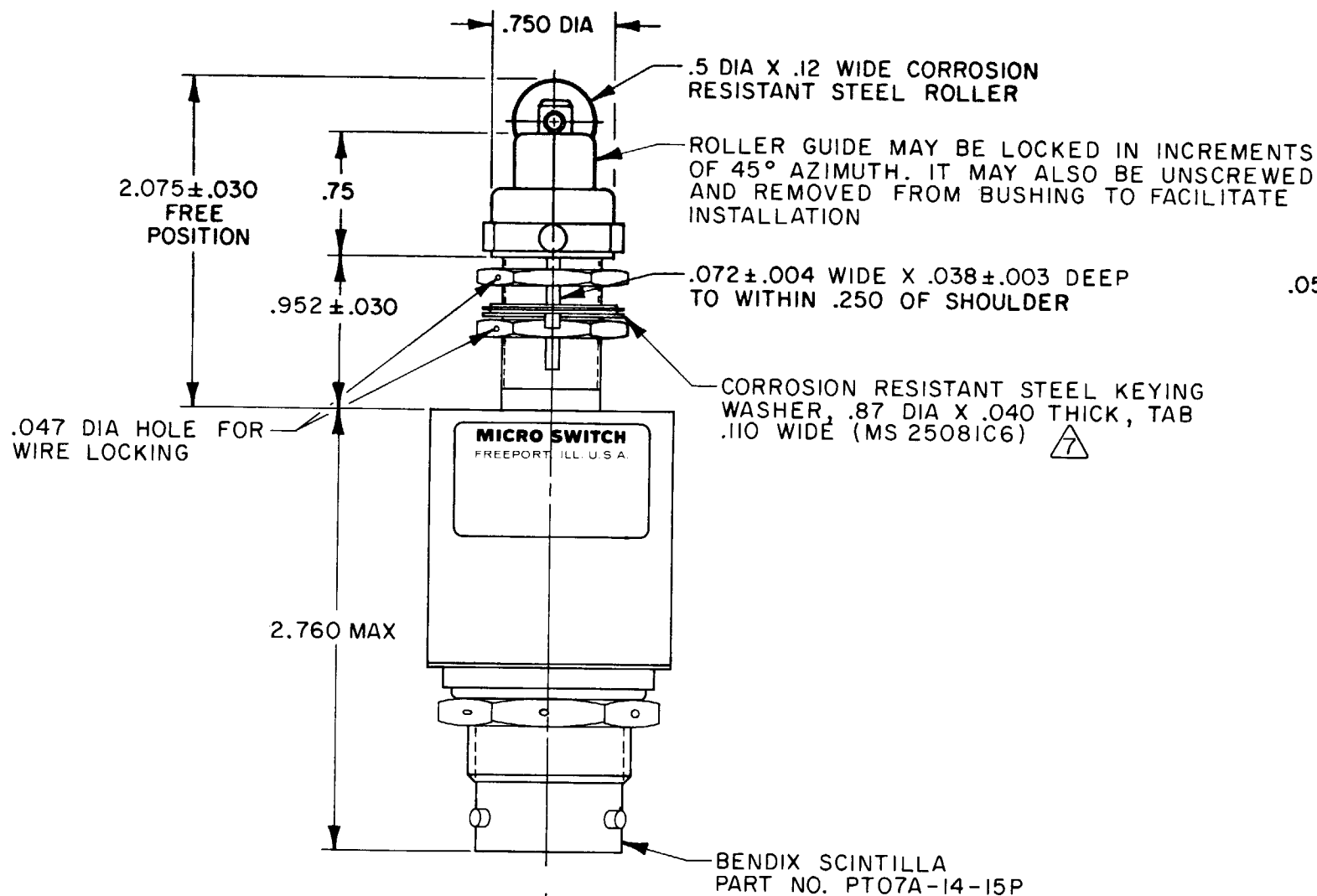
16 FEB 80

C E B

14 FEB 80

FO-5285 1-A

DRAWN



NOTES

- CORROSION RESISTANT STEEL ENCLOSURE
- SWITCH SEALED PER MIL-S-8805 SYMBOL 4
- CIRCUIT DIAGRAM AND CATALOG LISTING ARE SHOWN ON NAMEPLATE
- TO ADJUST ROLLER DIRECTION REMOVE ROLLER GUIDE LOCK RING SCREW ROLLER GUIDE DOWN AS FAR AS POSSIBLE, THEN UNSCREW TO DESIRED DIRECTION. SECURE BY REPLACING ROLLER GUIDE LOCK RING
- COINCIDENCE OF OPERATING AND RELEASING POINTS: .010 OF PLUNGER TRAVEL
- NOTED ELECTRICAL RATINGS APPLY AS SPECIFIED IN MIL-S-8805/40-1 UP TO 185°F
- HARDWARE MAY BE PACKAGED UNASSEMBLED PER MIL-S-8805

THIS DRAWING COVERS A PROPRIETARY ITEM AND IS THE PROPERTY OF MICRO SWITCH, A DIVISION OF HONEYWELL. THIS DRAWING IS NOT TO BE COPIED OR USED WITHOUT THE APPROVAL OF MICRO SWITCH

THIRD ANGLE PROJECTION

SCALE FULL

DO NOT SCALE PRINT

TOLERANCES

APPLY TO DESIGN UNITS. CONVERSIONS ARE ONLY FOR REFERENCE. UNLESS NOTED, TOLERANCES ARE:

DIM.	TOL.	DIM.	TOL.
mm	mm/in	in	mm/in
NO PLACES	x	1/04	
ONE PLACE	X,X	0.4/016	X X 0.8/03
TWO PLACES	X,XX	0.15/006	X XX 0.38/015
THREE PLACES	X,XXX		X XXX 0.13/005
ANGLES			

DESIGN UNITS SI METRIC U.S. CUSTOMARY

RAW MATERIAL-COMMERCIAL STANDARD MICRO SWITCH STANDARDS APPLY
DIMENSIONS ARE TO BE MET BEFORE PROTECTIVE COATINGS ARE APPLIED

WEIGHT 8 OZ

CHARACTERISTICS	
OPERATING FORCE-----	6-12 LB
FREE OVERTRAVEL FORCE----	30 LB MAX
RELEASE FORCE-----	4 LB MIN
PRETRAVEL-----	.040 MAX
DIFFERENTIAL TRAVEL-----	.030 MAX
OVERTRAVEL-----	.250 MIN

ELECTRICAL DATA		
CONTACT ARRANGEMENT		
S P D T (4)		
28 VDC		
LOAD	SEA LEVEL	50,000 FT.
RES	4	4
IND	2	2
MOTOR	4	
LAMP		