

**MICRO SWITCH**  
a Honeywell Division  
FED. MFG. CODE 91929

**SWITCH-ENCLOSED**

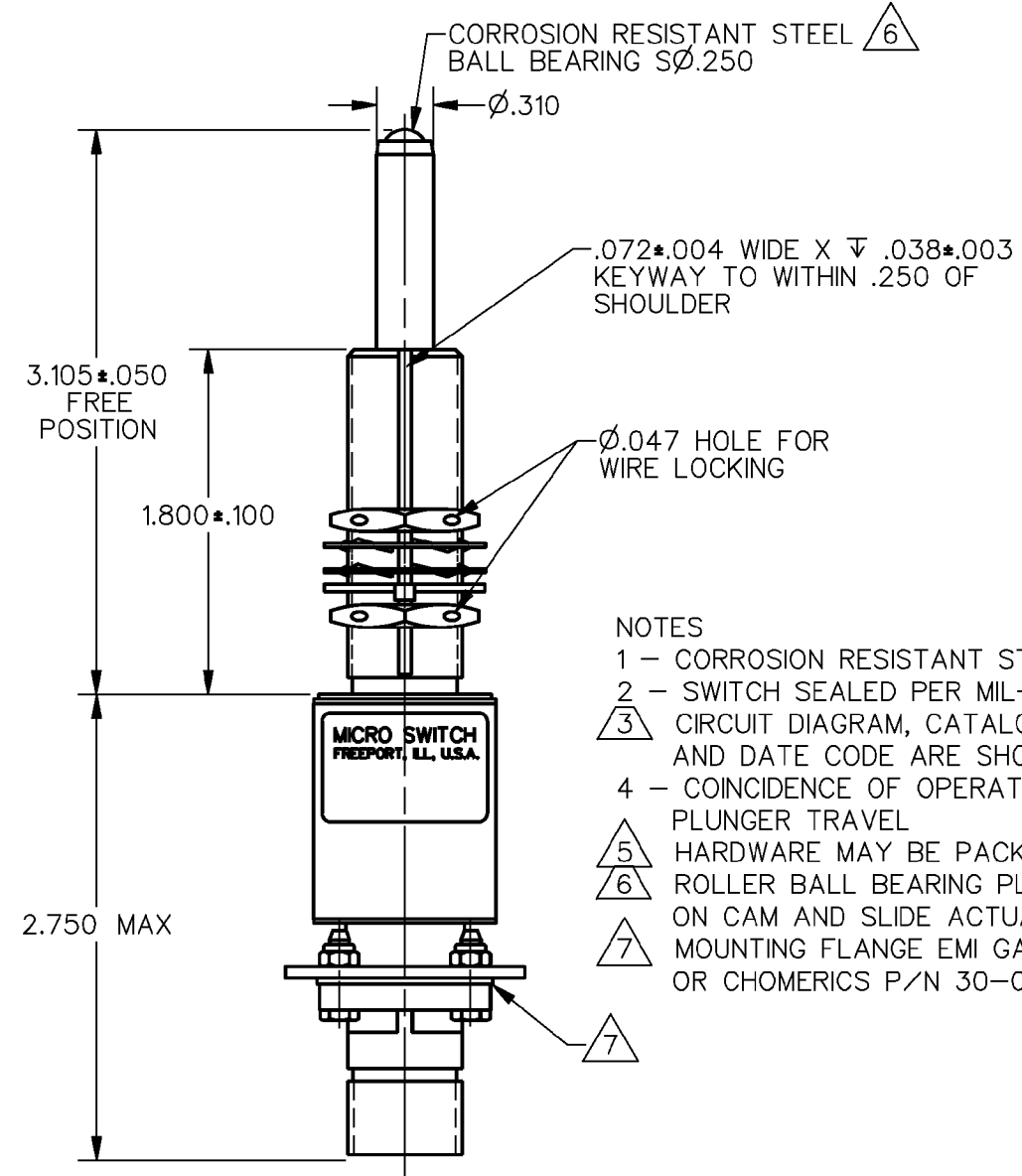
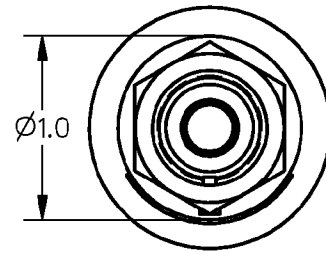
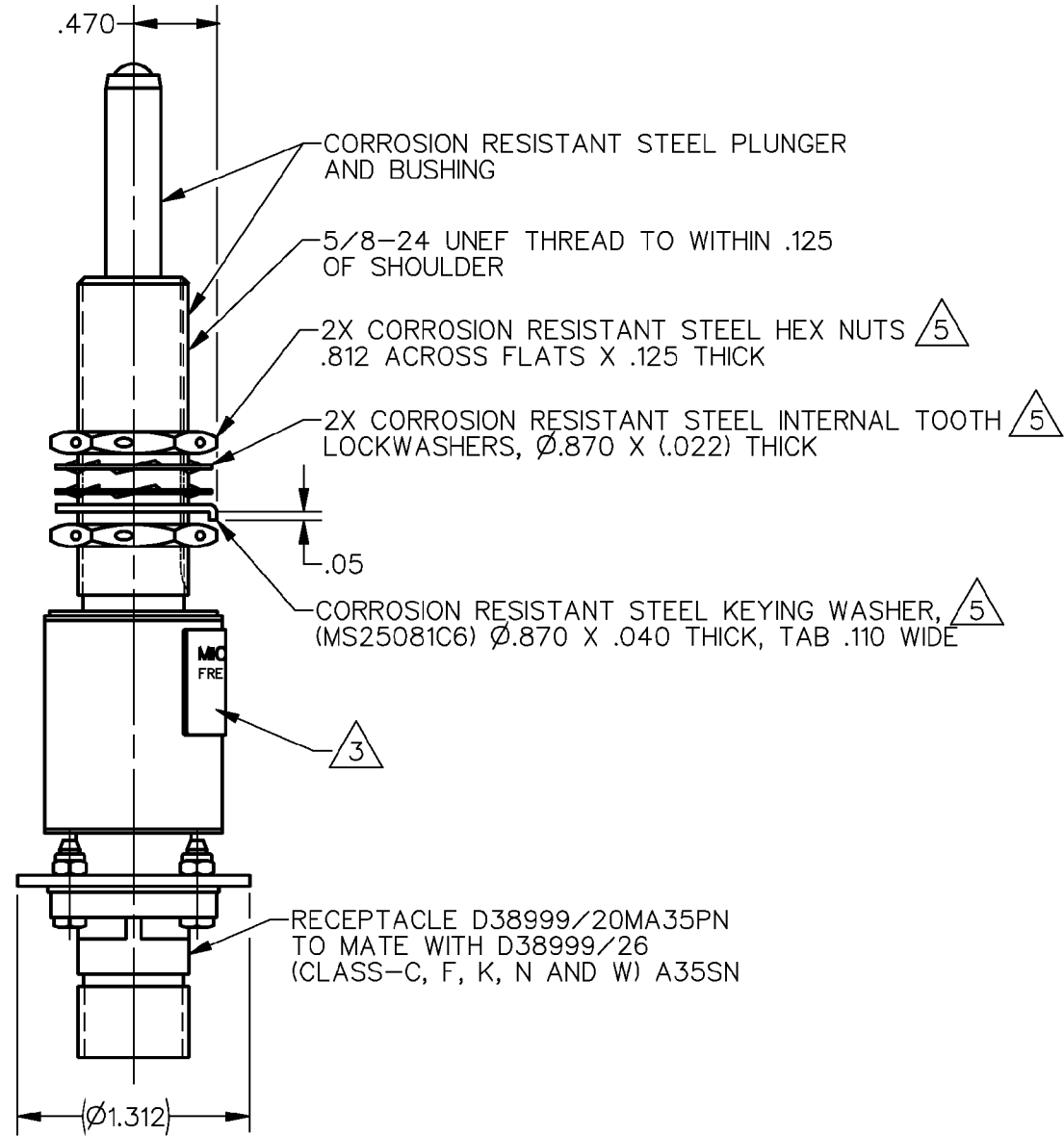
CATALOG LISTING  
**2001EN3-RB**

CATALOG LISTING  
**2001EN3-RB**  
PAGE 1 OF 1

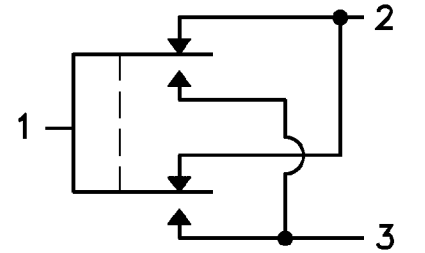
ISSUE  
**5**

REVISIONS  
A PR 23653  
GRT 11 NOV 98  
B CO 94160  
DL 25 FEB 99  
C 0006683  
ICC-AP 30 AUG 04  
D 0040541  
NR 12 JUN 08

RELEASE NO. PR-23653  
CHECK 12 JUN 08  
CMH  
CHECK 11 NOV 98  
JAF  
CHECK 11 NOV 98  
GRT  
DRAWN DDM/CAD



- NOTES
- 1 - CORROSION RESISTANT STEEL ENCLOSURE
  - 2 - SWITCH SEALED PER MIL-PRF-8805 SYMBOL 4
  - 3 - CIRCUIT DIAGRAM, CATALOG LISTING, FED MFG CODE AND DATE CODE ARE SHOWN ON NAMEPLATE
  - 4 - COINCIDENCE OF OPERATING AND RELEASING POINTS: .010 OF PLUNGER TRAVEL
  - 5 - HARDWARE MAY BE PACKAGED UNASSEMBLED PER MIL-PRF-8805
  - 6 - ROLLER BALL BEARING PLUNGER FOR USE WITH 20° MAX RISE ON CAM AND SLIDE ACTUATION
  - 7 - MOUNTING FLANGE EMI GASKET BMY P/N CMV10341-005 OR CHOMERICS P/N 30-01-C646-E6434



CIRCUIT DIAGRAM

CONNECTOR PIN-OUT

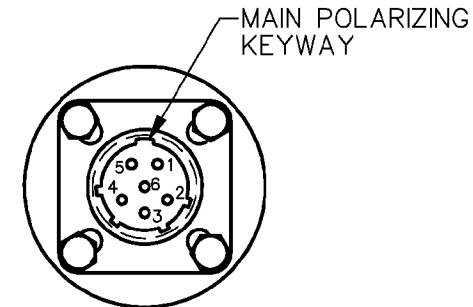
CONN PIN #	SWITCH CIRCUIT
1	COMMON (2)
2	N.C. (2)
3	N.O. (2)
4, 5, 6	NO CONNECTION

THIS DRAWING COVERS A PROPRIETARY ITEM AND IS THE PROPERTY OF MICRO SWITCH. A DIVISION OF HONEYWELL. THIS DRAWING IS NOT TO BE COPIED OR USED WITHOUT THE APPROVAL OF MICRO SWITCH

CHARACTERISTICS	
OPERATING FORCE	4-8 LB
FULL OVERTRAVEL FORCE	20 LB MAX
RELEASE FORCE	3 LB MIN
PRETRAVEL	.015-.040
DIFFERENTIAL TRAVEL	.020 MAX
OVERTRAVEL	.900 MIN

ELECTRICAL DATA		
CONTACT ARRANGEMENT 2X SPDT		
LOAD	28 VDC	
	SEA LEVEL	50,000 FT
RES	4	4
IND	2	2
MOTOR		

THIRD ANGLE PROJECTION	
SCALE	FULL
DO NOT SCALE PRINT	
UNLESS OTHERWISE SPECIFIED TOLERANCES ARE	
ONE PLACE	(.0) ±.030
TWO PLACE	(.00) ±.015
THREE PLACE	(.000) ±.005
ANGLES	±
WEIGHT	8 OZ MAX



ANSI Y14.5M-1982 APPLIES