

MICRO SWITCH

FREEPORT ILLINOIS U.S.A.
A DIVISION OF HONEYWELL

FED MFG CODE 91929

SWITCH - ENCLOSED

CATALOG LISTING
21EN314-6

21EN314-6

M

DRAWING NUMBER

ISSUE

B

ISSUE

B

ISSUE

B

ISSUE

B

ISSUE

B

ISSUE

B

ISSUE

B

ISSUE

B

ISSUE

B

ISSUE

B

ISSUE

B

ISSUE

B

ISSUE

B

RELEASE NO. PR-2598

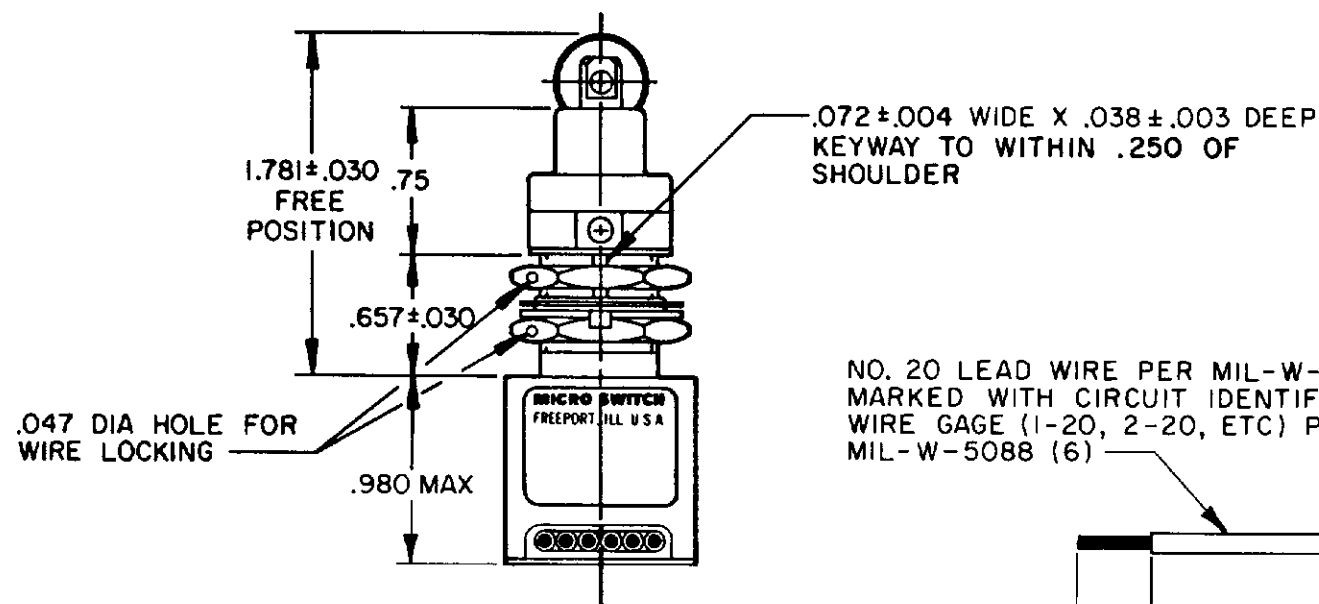
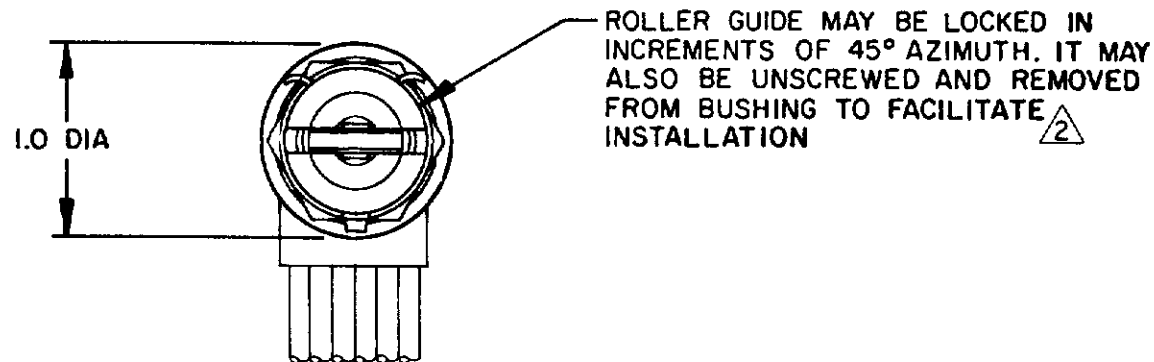
CHECK

CHECK

CHECK

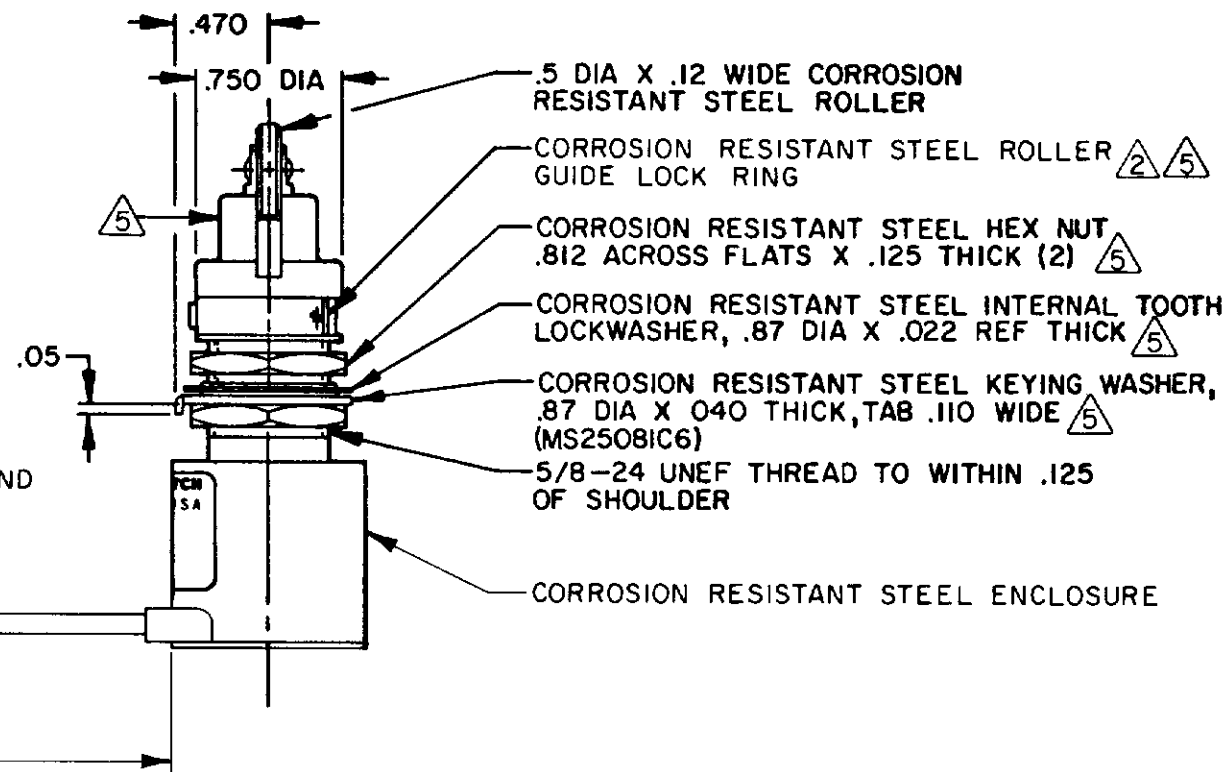
CHECK

CHECK

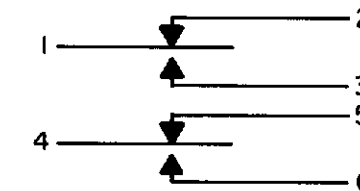


.072±.004 WIDE X .038±.003 DEEP KEYWAY TO WITHIN .250 OF SHOULDER

NO. 20 LEAD WIRE PER MIL-W-22759/7 MARKED WITH CIRCUIT IDENTIFICATION AND WIRE GAGE (1-20, 2-20, ETC) PER MIL-W-5088 (6)



CIRCUIT DIAGRAM



NOTES

- 1 - SWITCH SEALED PER MIL-S-8805 SYMBOL 4
- 2 - TO ADJUST ROLLER DIRECTION, REMOVE ROLLER GUIDE LOCK RING, SCREW ROLLER GUIDE DOWN AS FAR AS POSSIBLE, THEN UNSCREW TO DESIRED DIRECTION. SECURE BY REPLACING ROLLER GUIDE LOCK RING
- 3 - COINCIDENCE OF OPERATING AND RELEASING POINTS: .010 OF PLUNGER TRAVEL
- 4 - CIRCUIT DIAGRAM, CATALOG LISTING AND CUSTOMER IDENTIFICATION NUMBER ARE SHOWN ON NAMEPLATE
- 5 - HARDWARE MAY BE PACKAGED UNASSEMBLED PER MIL-S-8805

THIS DRAWING COVERS A PROPRIETARY ITEM AND IS THE PROPERTY OF MICRO SWITCH, A DIVISION OF HONEYWELL. THIS DRAWING IS NOT TO BE COPIED OR USED WITHOUT THE APPROVAL OF MICRO SWITCH

THIRD ANGLE PROJECTION

SCALE FULL

DO NOT SCALE PRINT

CHARACTERISTICS	
OPERATING FORCE	6-12 LB
FULL OVERTRAVEL FORCE	30 LB MAX
RELEASE FORCE	4 LB MIN
PRETRAVEL	.040 MAX
DIFFERENTIAL TRAVEL	.020 MAX
OVERTRAVEL	.250 MIN

ELECTRICAL DATA		
CONTACT ARRANGEMENT		
SPDT (2)		
28 VDC		
LOAD	SEA LEVEL	50,000 FT.
RES	4	4
IND	2	2
MOTOR	4	
LAMP		

TOLERANCES			
APPLY TO DESIGN UNITS CONVERSIONS ARE ONLY FOR REFERENCE UNLESS NOTED TOLERANCES ARE 2			
DIM.	TOL.	DIM.	TOL.
NO PLACES	±	IN	±
ONE PLACE	±	IN	±
TWO PLACES	±	IN	±
THREE PLACES	±	IN	±
ANGLES			

DESIGN UNITS SI METRIC US CUSTOMARY

RAW MATERIAL—COMMERCIAL STANDARD
MICRO SWITCH STANDARDS APPLY
DIMENSIONS ARE TO BE MET BEFORE PROTECTIVE COATINGS ARE APPLIED

WEIGHT 6.7 OZ MAX

FO-82851-A

DRAWN

CHECK

CHECK

CHECK