

MICRO SWITCH
a Honeywell Division

FED. MFG. CODE 91929

SWITCH - ENCLOSED

CATALOG LISTING

22HR42-12

CATALOG LISTING
22HR42-12

PAGE 1 OF 1

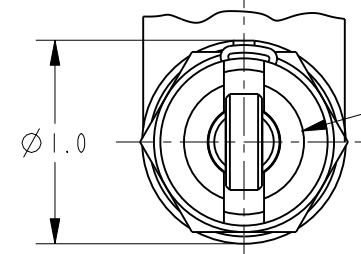
ISSUE **14**

REVISIONS

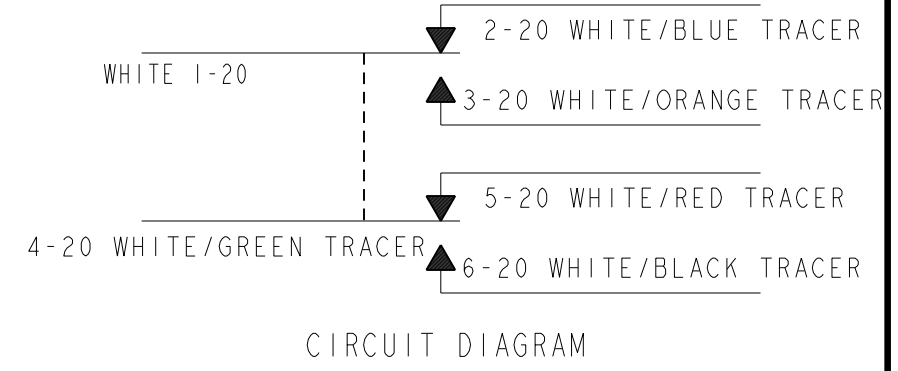
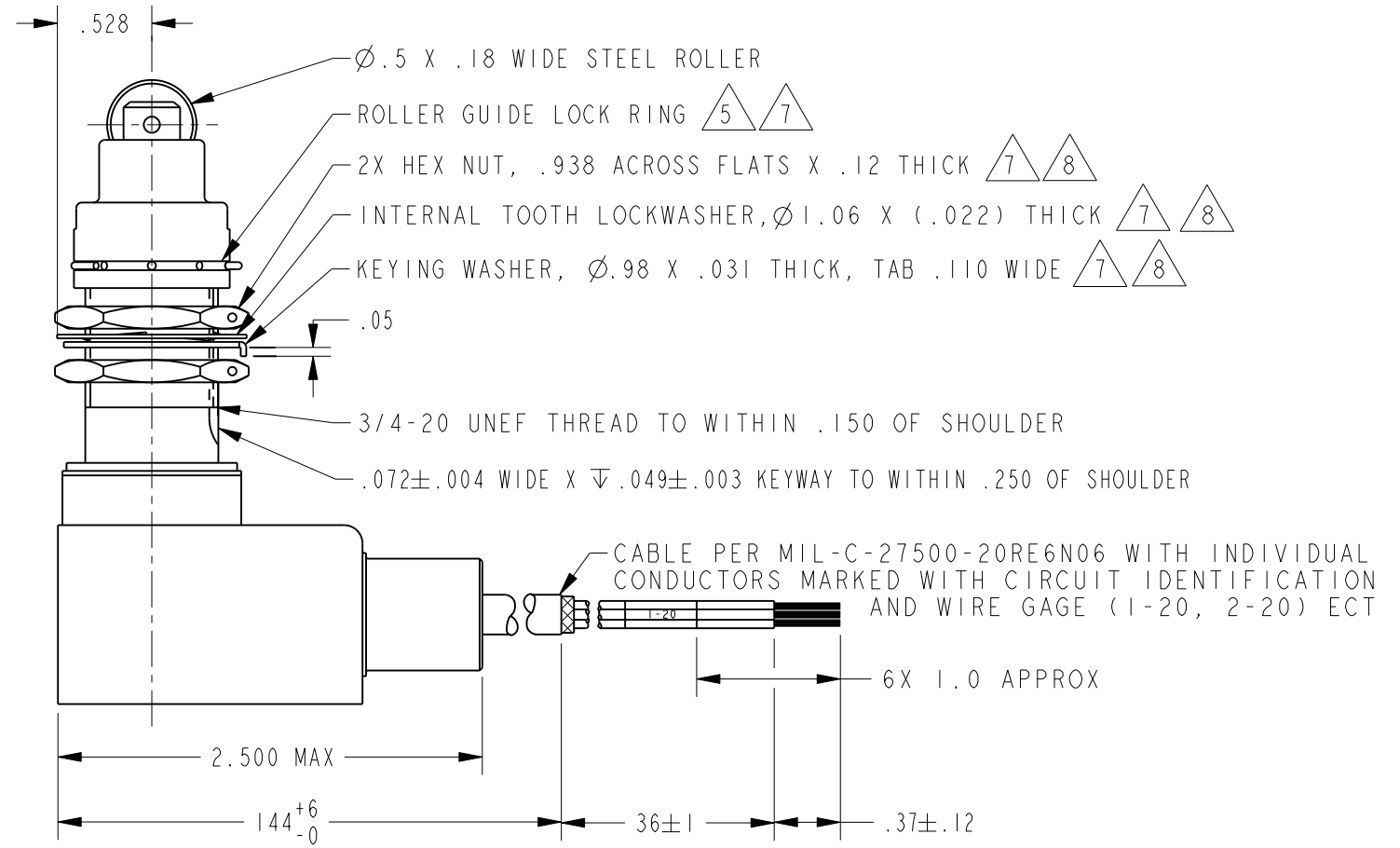
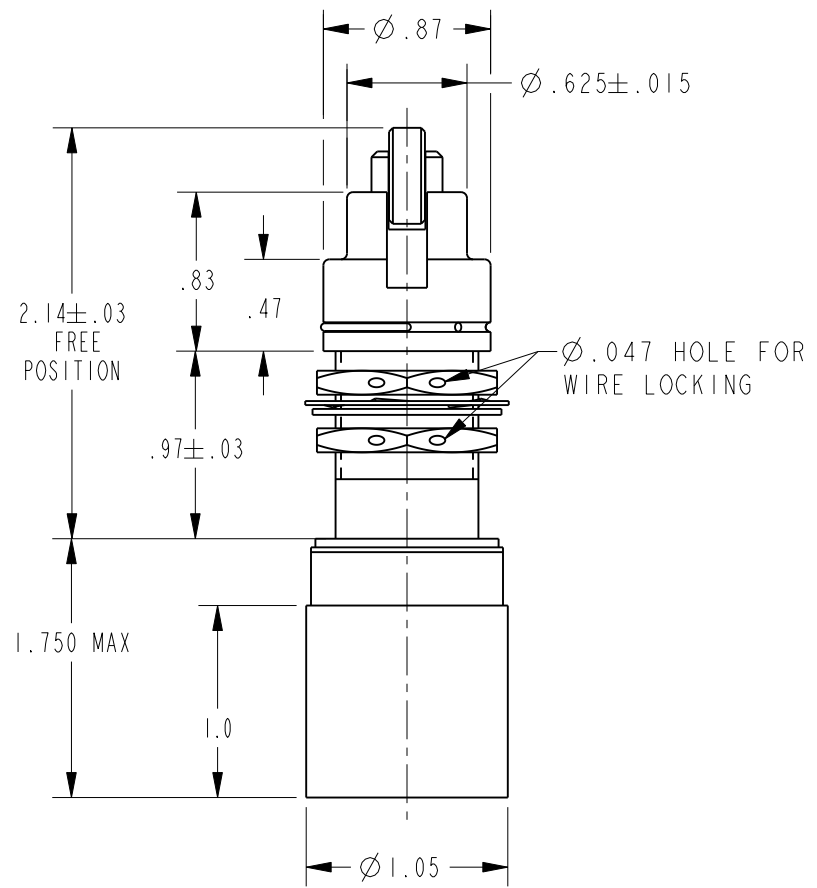
| | | |
|---|------------------------------|---------------------|
| A | PR REL PR24081 TSM 17 JUN 99 | CHECK 09 APR 08 |
| B | C095223 JAF 27 AUG 99 | CHECK ASD 10 MAY 01 |
| C | 203053 G J W 10 MAY 01 | CHECK 24 JUL 01 |
| D | 203548 GLH 24 JUL 01 | CHECK 207007 |
| E | 207007 T S M 12 DEC 02 | CHECK 17 JUN 99 |
| F | 207221 TSM 16 JAN 03 | CHECK 17 JUN 99 |
| G | 0038194 PK 09 APR 08 | CHECK 17 JUN 99 |

PTC/CAD 2D
DRAWN TSM 17 JUN 99

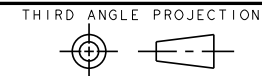
REPLACES -
RELEASE NO. PR-22544
CHECK
SAV
CHECK



ROLLER GUIDE MAY BE LOCKED IN INCREMENTS OF 45° AZIMUTH
ROLLER GUIDE MAY BE UNSCREWED AND REMOVED FROM BUSHING TO FACILITATE INSTALLATION $\triangle 5$



THIS DRAWING COVERS A PROPRIETARY ITEM AND IS THE PROPERTY OF MICRO SWITCH, A DIVISION OF HONEYWELL. THIS DRAWING IS NOT TO BE COPIED OR USED WITHOUT THE APPROVAL OF MICRO SWITCH



| CHARACTERISTICS | | ELECTRICAL DATA | |
|----------------------------|-----------|-----------------------------------|-------------------------|
| OPERATING FORCE----- | 6-12 LB | CONTACT ARRANGEMENT 2X S P D T | |
| FULL OVERTRAVEL FORCE----- | 35 LB MAX | LOAD | 28 VDC 115 VAC, 60 HZ |
| RELEASE FORCE----- | 5 LB MIN | RES | 5 |
| PRETRAVEL----- | .050 MAX | IND | 2 0.2 |
| DIFFERENTIAL TRAVEL----- | .015 MAX | MOTOR | |
| OVERTRAVEL----- | .250 MIN | | |

| | |
|---|---------------|
| SCALE | - |
| DO NOT SCALE PRINT | |
| UNLESS OTHERWISE SPECIFIED TOLERANCES ARE | |
| ONE PLACE | (.0) ± .030 |
| TWO PLACE | (.00) ± .015 |
| THREE PLACE | (.000) ± .005 |
| ANGLES | ± |
| WEIGHT | |

- NOTES
- ALL EXPOSED METALS ARE CORROSION RESISTANT STAINLESS STEEL OR ARE SUITABLY PROTECTED TO PREVENT CORROSION
 - THE SWITCH CHAMBER IS SEALED PER MIL-PRF-8805 SYMBOL 5
 - THE CIRCUIT DIAGRAM, CATALOG LISTING, AND DATE CODE ARE PERMANENTLY MARKED ON THE SWITCH
 - COINCIDENCE OF THE OPERATE AND RELEASE POINTS: .005 INCHES OF PLUNGER TRAVEL
 - TO ADJUST THE ROLLER DIRECTION: REMOVE THE ROLLER GUIDE LOCK RING, SCREW THE ROLLER GUIDE DOWN AS FAR AS POSSIBLE, THEN UNSCREW TO A DESIRED DIRECTION, AND SECURE BY REPLACING THE ROLLER GUIDE LOCK RING
 - OPERATING TEMPERATURE RANGE: -85° F TO +392° F
 - HARDWARE FURNISHED ASSEMBLED TO BUSHING
 - REPLACEMENT MOUNTING HARDWARE PACKET: 19PA207-HR

ANSI Y14.5M-1982 APPLIES