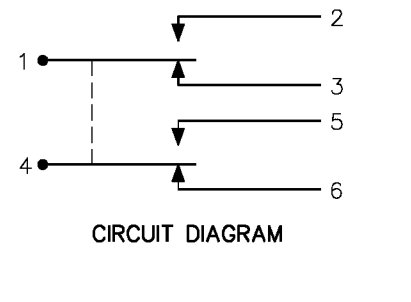
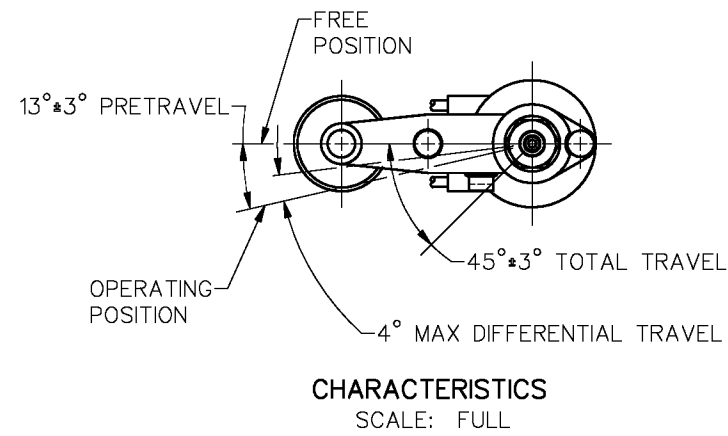


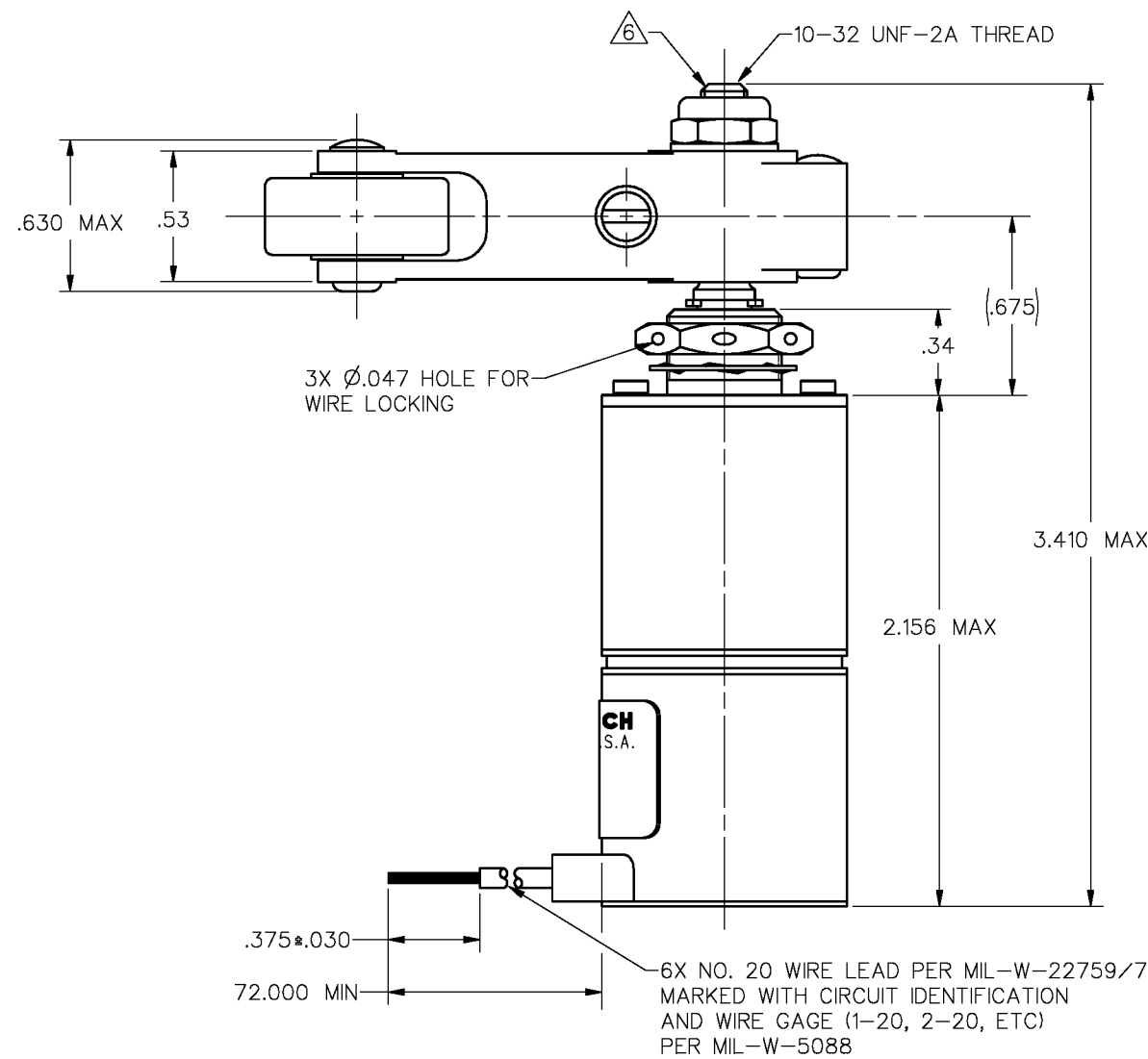
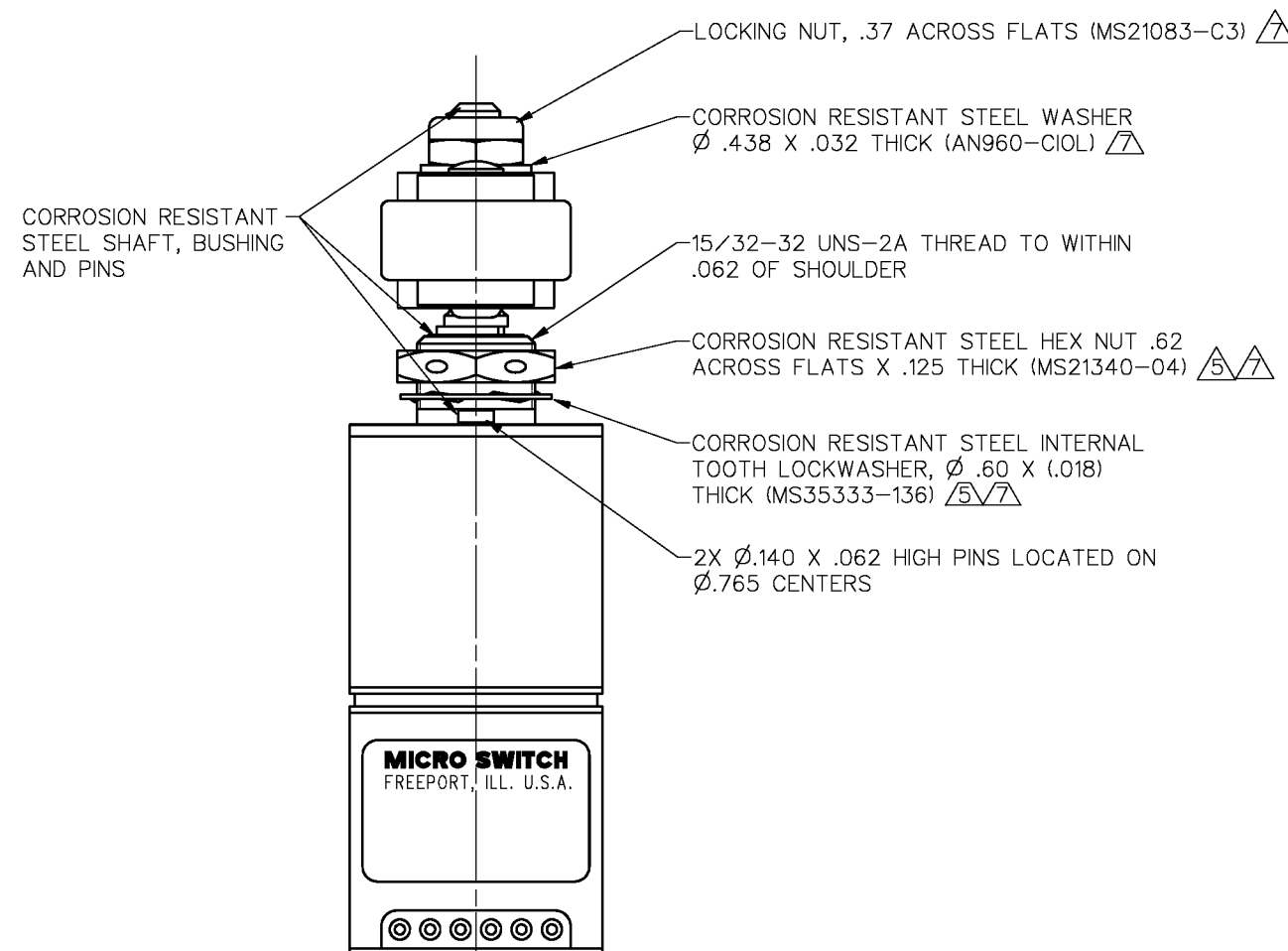
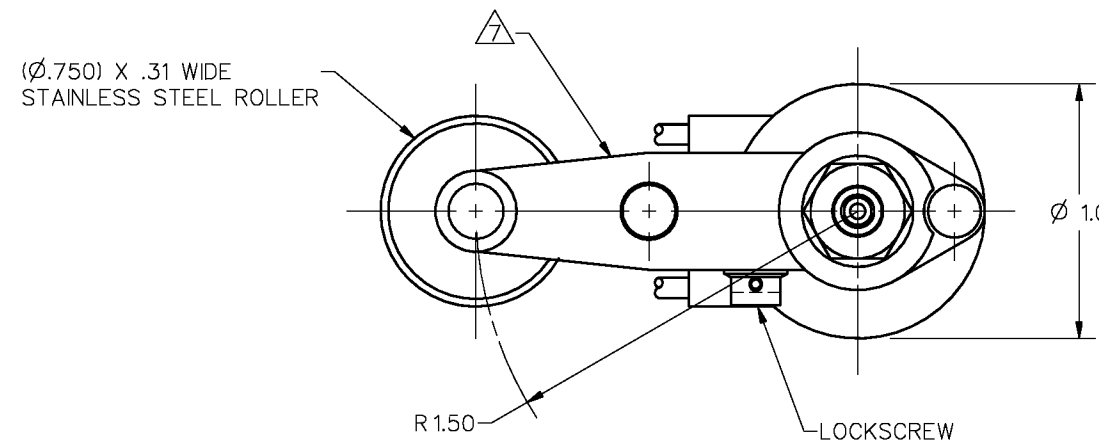
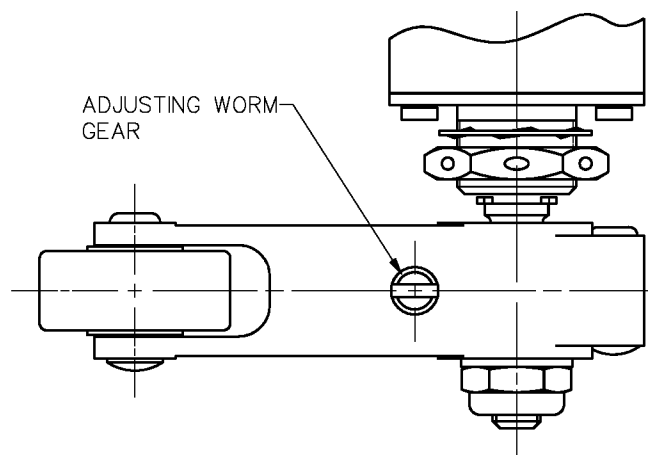
HONEYWELL  
PART NUMBER  
**31EN102-6**  
FAA-PMA

REV	DOCUMENT	CHANGED BY	CHECK
9	0011614	KSR 04MAR05	AK



ROLLER LEVER MAY BE ADJUSTED FOR AN INFINITE NUMBER OF POSITIONS THRU 360°. ADJUSTMENT IS MADE BY LOOSENING THE LOCK NUT AND THEN THE SCREW AND TURNING GEAR UNTIL LEVER IS IN DESIRED POSITION. SCREW AND LOCK NUT ON SHAFT IS THEN TIGHTENED TO POSITIVELY LOCK LEVER IN POSITION.

**LEVER ADJUSTMENT DETAIL**



SPECIFICATION DETAILS:			
<b>STANDARD:</b>	CONFORMS TO MS21320-2 (MIL-S-8805/48), EXCEPT AS NOTED		
<b>CONSTRUCTION:</b>	ENCLOSURE DESIGN: RESILIENT SEAL PER MIL-S-8805, SYMBOL 4		
	CONTACT MATERIAL & CONFIGURATION: GOLD BIFURCATED		
	CIRCUIT CONFIGURATION: 2 SPDT		
	TERMINATION: LEADWIRES PER MIL-W-22759/7		
	WEIGHT: 9.5 OZ MAX		
	EXPOSED METALS: CORROSION RESISTANT		
<b>ELECTRICAL CHARACTERISTICS:</b>			
<b>ELECTRICAL RATINGS</b>	VOLTAGE	RESISTIVE	LOAD INDUCTIVE
-SEA LEVEL	28 VDC	1A	.5A
-50,000 FEET	28 VDC	1A	.5A
<b>DIELECTRIC STRENGTH &amp; INSULATION RESISTANCE</b>	DIELECTRIC STRENGTH	INSULATION RESISTANCE	
	(= 60 Hz. FOR 5 SECONDS)	(500 VDC * 10 <sup>4</sup> )	
-BETWEEN TERMINALS AND EXPOSED NON-CURRENT CARRYING METAL	1000 V Rms, 500µ A (MAX. LEAKAGE)	1000 Megohms MIN	
-BETWEEN TERMINALS OF MUTUALLY INSULATED CIRCUITS	1000 V Rms, 500µ A (MAX. LEAKAGE)	1000 Megohms MIN	
-BETWEEN ALL UNCONNECTED TERMINALS OF THE SAME POLE	1000 V Rms, 500µ A (MAX. LEAKAGE)	1000 Megohms MIN	
<b>SWITCH RESISTANCE</b>	N/A		
<b>RECOMMENDATION FOR USE IN APPLICATIONS LESS THAN .5 amps AND/OR 12 volts</b>	YES $\Delta$		
<b>MECHANICAL CHARACTERISTICS:</b>			
<b>CHARACTERISTICS:</b>			
OPERATING TORQUE	12-25 IN-LBS		
RELEASE TORQUE	9 IN-LBS MIN		
FULL OVERTRAVEL TORQUE	40 IN-LBS MAX		
PRETRAVEL	SEE DETAIL		
FREE POSITION OVERTRAVEL			
<b>MOUNTING STRENGTH</b>	15 IN-LBS		
<b>ACTUATOR STRENGTH</b>	10 LBS APPLIED IN A DIRECTION TO CAUSE SWITCH ACTUATION		
<b>LIFE:</b>			
<b>MECHANICAL LIFE</b>	25,000 MIN. PER MIL-S-8805/48 $\Delta$		
<b>ELECTRICAL LIFE AT FULL RATED LOAD</b>	25,000 MIN. PER MIL-S-8805/48 $\Delta$		
<b>ENVIRONMENTAL:</b>			
<b>TEMPERATURE RANGE</b>	-55 C TO +85 C		
<b>ALTITUDE RANGE</b>	SEA LEVEL TO 50,000 FEET		
<b>SHOCK</b>	PER MIL-S-8805 SYMBOL M - 100 g		
<b>VIBRATION</b>	PER MIL-S-8805 SYMBOL 1 - 10-500 Hz. & 10 g peak		
<b>MOISTURE RESISTANCE</b>	PER MIL-S-8805 PARA 3.20		
<b>THERMAL SHOCK</b>	PER MIL-S-8805 PARA 3.16		
<b>SALT SPRAY</b>	PER MIL-S-8805 PARA 3.22		

- NOTES**
- SWITCH SEALED PER MIL-S-8805 SYMBOL 4
  - CIRCUIT DIAGRAM, CATALOG LISTING, DATE CODE, FED. MFG. CODE AND FAA-PMA ARE SHOWN ON NAMEPLATE
  - CORROSION RESISTANT STEEL ENCLOSURE
  - TOTAL TRAVEL OF ROLLER LEVER IS 45°\*3° IN COUNTERCLOCKWISE DIRECTION ONLY WITH SPRING RETURN TO NEUTRAL
  - REPLACEMENT MOUNTING HARDWARE - PACKET 19PA10
  - DO NOT APPLY MORE THAN 20-25 INCH POUNDS OF TORQUE WHEN TIGHTENING LOCKING NUT
  - HARDWARE MAY BE PACKAGED UNASSEMBLED PER MIL-S-8805
  - BASIC SWITCHES HAVE GOLD BIFURCATED CONTACTS
  - RETURN TORSION SPRING MATERIAL 17-7 PH SST
  - CONTACT HONEYWELL-MICRO SWITCH IF ADDITIONAL INFORMATION ON LOW ENERGY LOADS IS REQUIRED OR FOR HELP WITH SPECIFIC APPLICATIONS
  - LIFE RATINGS ARE PER MIL-S-8805 REQUIREMENTS. ACTUAL LIFE EXCEEDS RATED LIFE. CONTACT HONEYWELL-MICRO SWITCH FOR ADDITIONAL DATA
  - FOR MANUFACTURING DETAILS SEE ASSEMBLY DRAWING 31EN102-6 FOR FAA-PMA.

DESIGN UNITS: INCH TOLERANCES UNLESS NOTED:	DRAWN MAM 20DEC95	<b>Honeywell</b>			
NO PLACE .X ± ONE PLACE .X ± 0.030 TWO PLACE .XX ± 0.015 THREE PLACE .XXX ± 0.005 FOUR PLACE .XXXX ± ANGLES ±	CHECK TSM 21DEC05				
THIRD ANGLE PROJECTION	THIS DRAWING COVERS A PROPRIETARY ITEM AND IS THE PROPERTY OF HONEYWELL. THIS DRAWING IS NOT TO BE COPIED OR USED WITHOUT THE PERMISSION OF HONEYWELL.		TITLE <b>SWITCH - ENCLOSED</b>		
	INTERPRET PER ASME Y14.5M-1994 OTHER HONEYWELL ENGINEERING STANDARDS MAY APPLY	SIZE <b>C</b>	TYPE <b>I</b>	DRAWING NAME <b>31EN102-6</b>	REV <b>9</b>
	RASTER	SCALE 2:1	WEIGHT 9.5 OZ MAX	SHEET 1 OF 1	