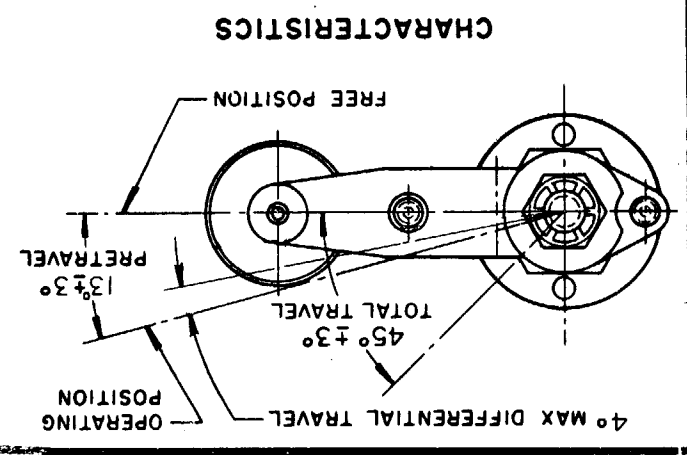
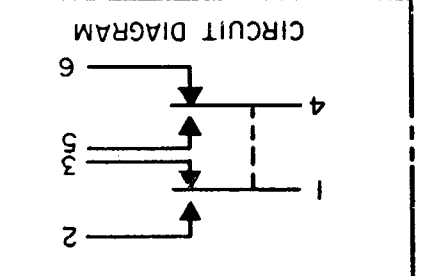
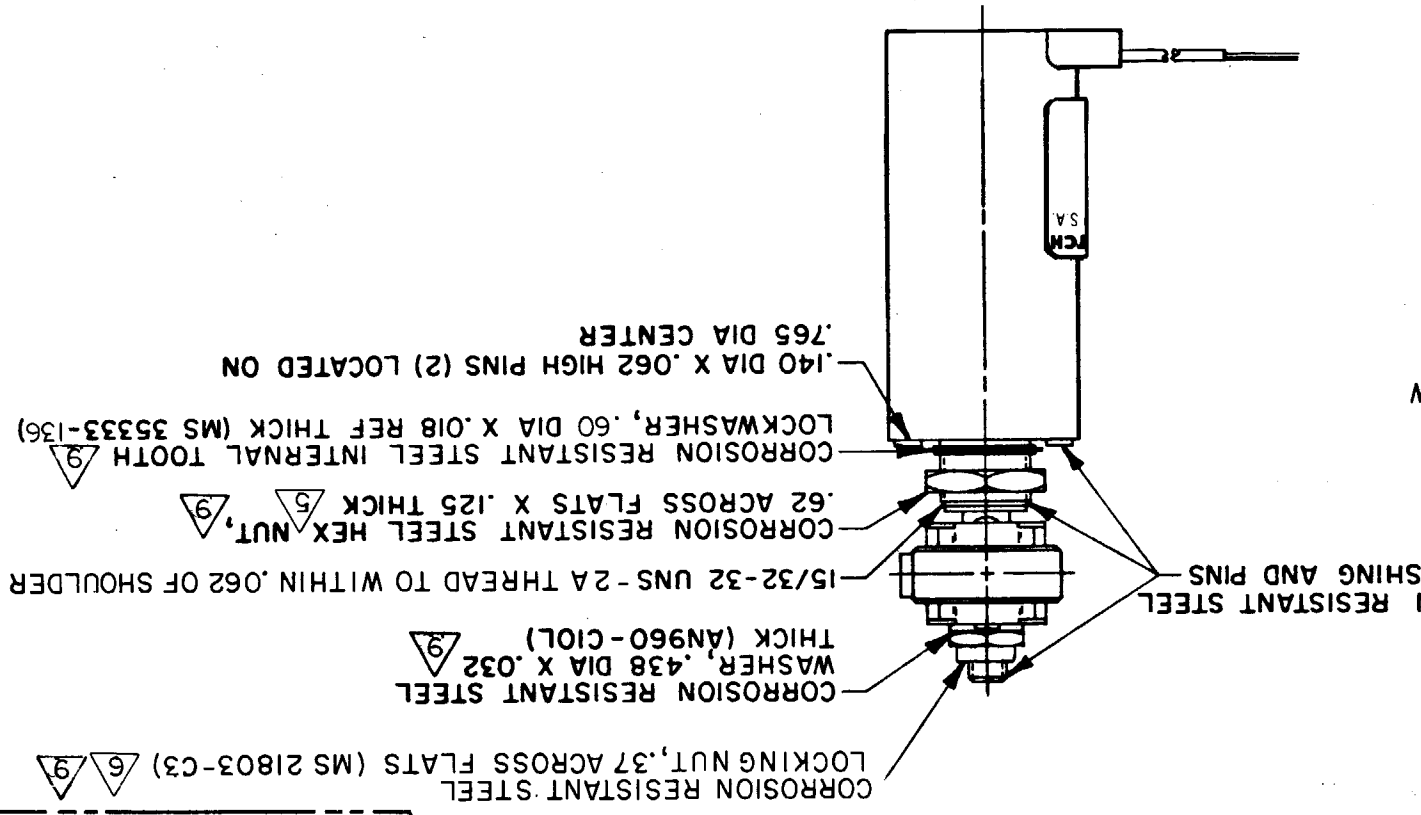
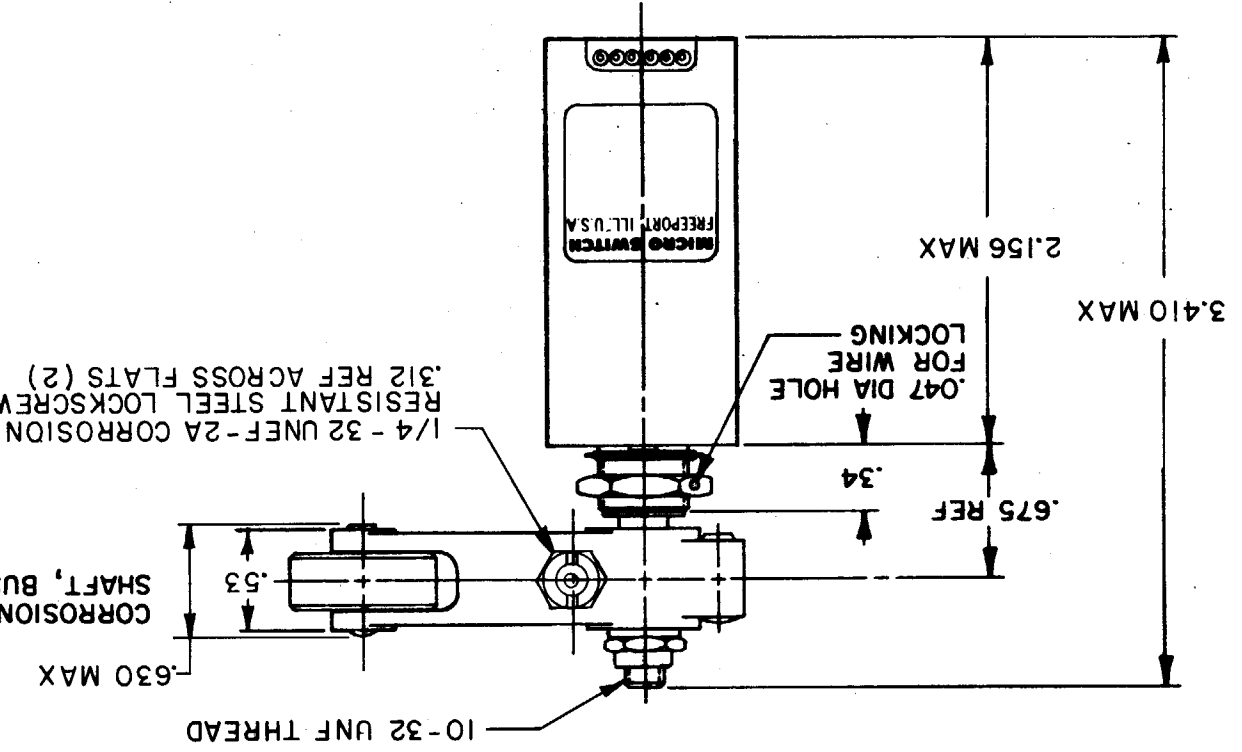
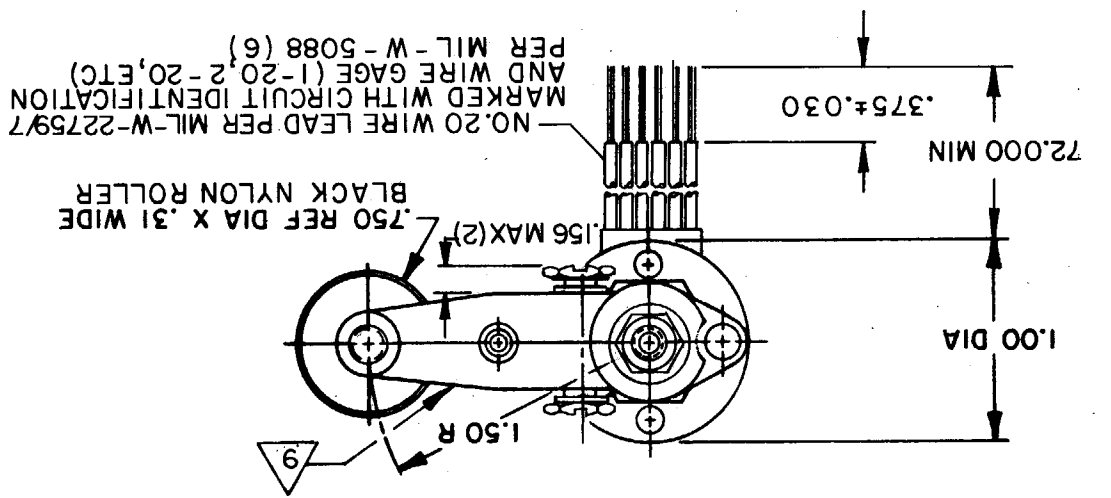


FO-8281-B
DRAWN
9 JAN 79
CHECK
9 JAN 80
REVISIONS
ISSUE
DRAWING NUMBER
M
31EN20-6
RELEASE NO. PR-5293
REPLACES

MICRO SWITCH
 FREEPORT, ILLINOIS, U.S.A.
 A DIVISION OF HONEYWELL
 FED. MFG. CODE 8188

SWITCH - ENCLOSED

CATALOG LISTING
31EN20-6



- NOTES
- 1 - CORROSION RESISTANT STEEL ENCLOSURE
 - 2 - SWITCH SEALED PER MIL-S-8805 SYMBOL 4
 - 3 - CIRCUIT DIAGRAM AND CAT. LISTING ARE SHOWN ON NAMEPLATE
 - 4 - TOTAL TRAVEL OF ROLLER LEVER IS 45°±3° IN COUNTER CLOCK-WISE DIRECTION ONLY WITH SPRING RETURN TO NEUTRAL
 - 5 - REPLACEMENT MOUNTING HARDWARE PACKET 19PA10
 - 6 - DO NOT APPLY MORE THAN 20-25 INCH-POUNDS OF TORQUE WHEN TIGHTENING LOCKING NUT
 - 7 - WORM GEAR TO TURN WITH 6 IN-LB MAX TORQUE WITH SCREWS LOCKED OUT TIGHT
 - 8 - REPLACEMENT LEVER 6PA351
 - 9 - HARDWARE MAY BE PACKAGED UNASSEMBLED PER MIL-S-8805

ELECTRICAL DATA	
CONTACT ARRANGEMENT S P D T (2)	
LOAD	SEA LEVEL 50,000 FT. 28 VDC
RES	5
IND	3
MOTOR	4
LAMP	
WEIGHT 9.5 OZ MAX	
DO NOT SCALE PRINT	
SCALE FULL	
TOLERANCES APPLY TO DESIGN UNITS. CONVERSIONS ARE ONLY FOR REFERENCE. UNLESS NOTED, TOLERANCES ARE 2	
NO PLACES ONE PLACE TWO PLACES THREE PLACES	
DESIGN UNITS SI METRIC US CUSTOMARY	
THIRD ANGLE PROJECTION	

CHARACTERISTICS
 OPERATING TORQUE --- 12-25 IN LB
 RELEASE TORQUE --- 9 IN LB MIN
 PRETRAVEL
 DIFFERENTIAL TRAVEL
 OVERTRAVEL
 FREE POSITION
 SEE DETAIL