

MICRO SWITCH
 FREEPORT, ILLINOIS, U.S.A.
 A DIVISION OF HONEYWELL
 FED. MFG. CODE 91929

SWITCH-ENCLOSED

CATALOG LISTING
31EN79-6

CATALOG LISTING
31EN79-6
 PAGE 1 OF 1

M

DRAWING NUMBER

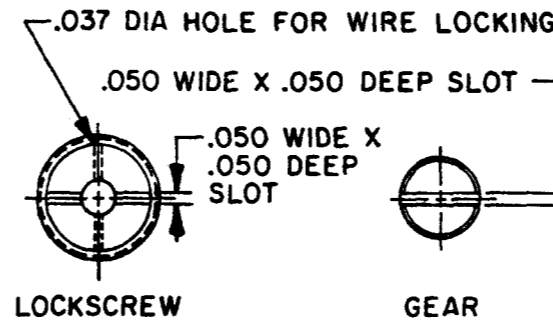
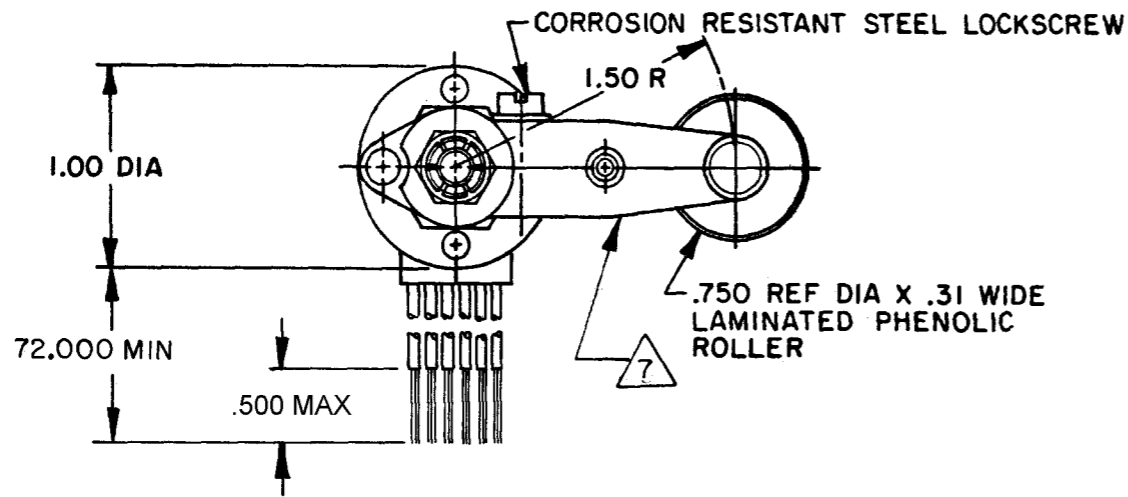
ISSUE **10**

REVISIONS

A	C044351	29 NOV 79	AK
B	C047572	11 AUG 80	AK
C	C049806C	28 SEP 81	AK
D	C053720	25 AUG 83	AK
E	C057370	14 MAY 85	AK
F	C074110	28 APR 93	AK
G	201514	25 OCT 00	AK
H	0006608	21 JUL 04	AK

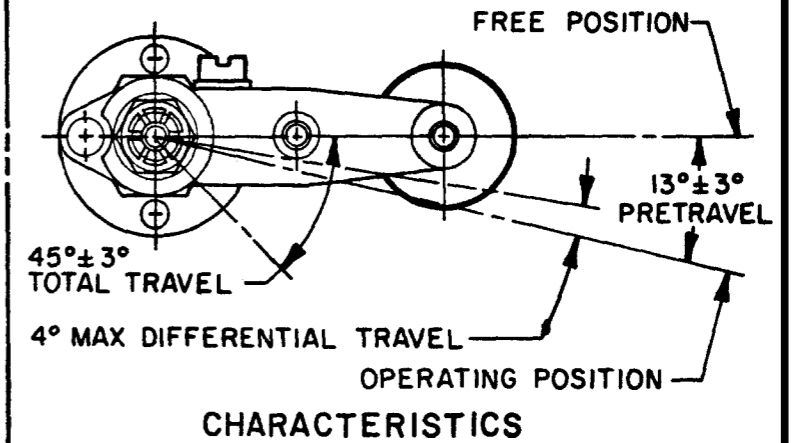
RASTER
 FO-9286 1-B

RELEASE NO. PR-4386
 CHECK 21 JUL 04
 CHECK 29 NOV 79
 CHECK 29 NOV 79
 CHECK 21 JUL 04

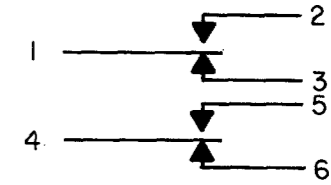


ROLLER LEVER MAY BE ADJUSTED FOR AN INFINITE NUMBER OF POSITIONS THRU 360°. ADJUSTMENT IS MADE BY LOOSENING THE LOCK NUT AND THEN THE LOCKSCREW AND TURNING GEAR UNTIL LEVER IS IN DESIRED POSITION. LOCKSCREW AND LOCK NUT ON SHAFT IS THEN TIGHTENED TO POSITIVELY LOCK LEVER IN POSITION.

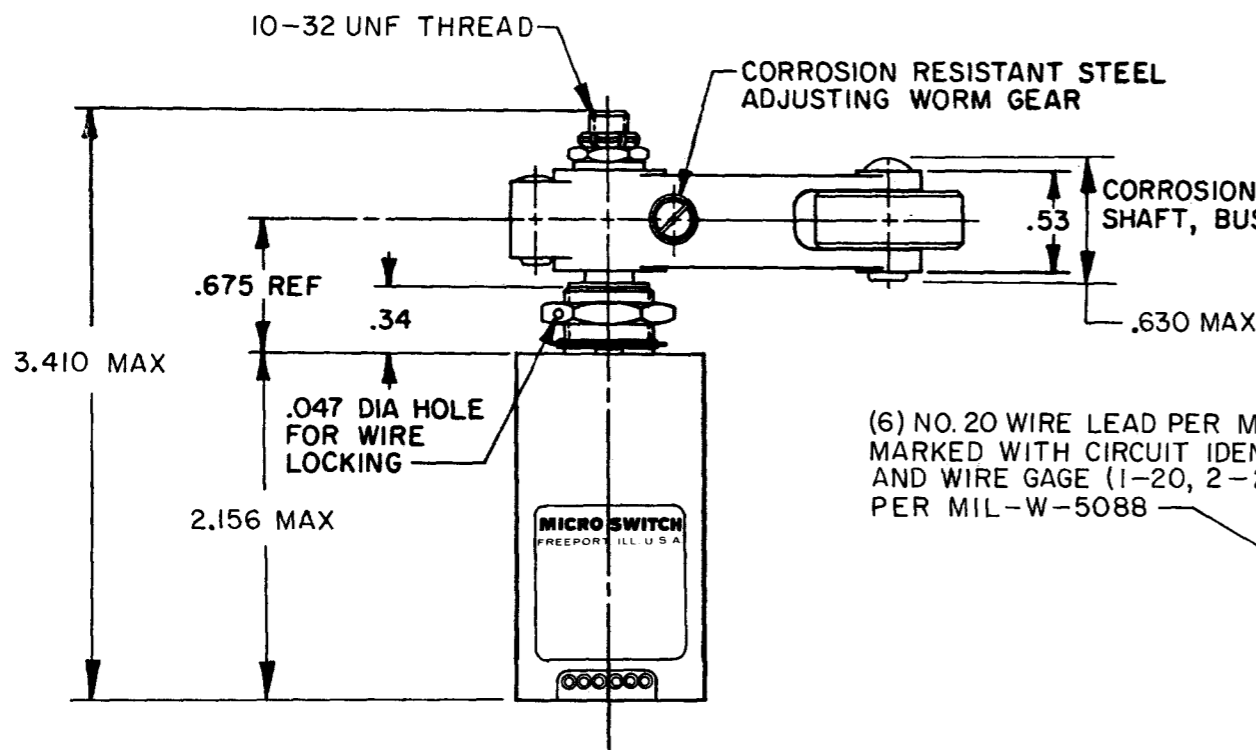
LEVER ADJUSTMENT DETAIL
 SCALE 2 TO 1



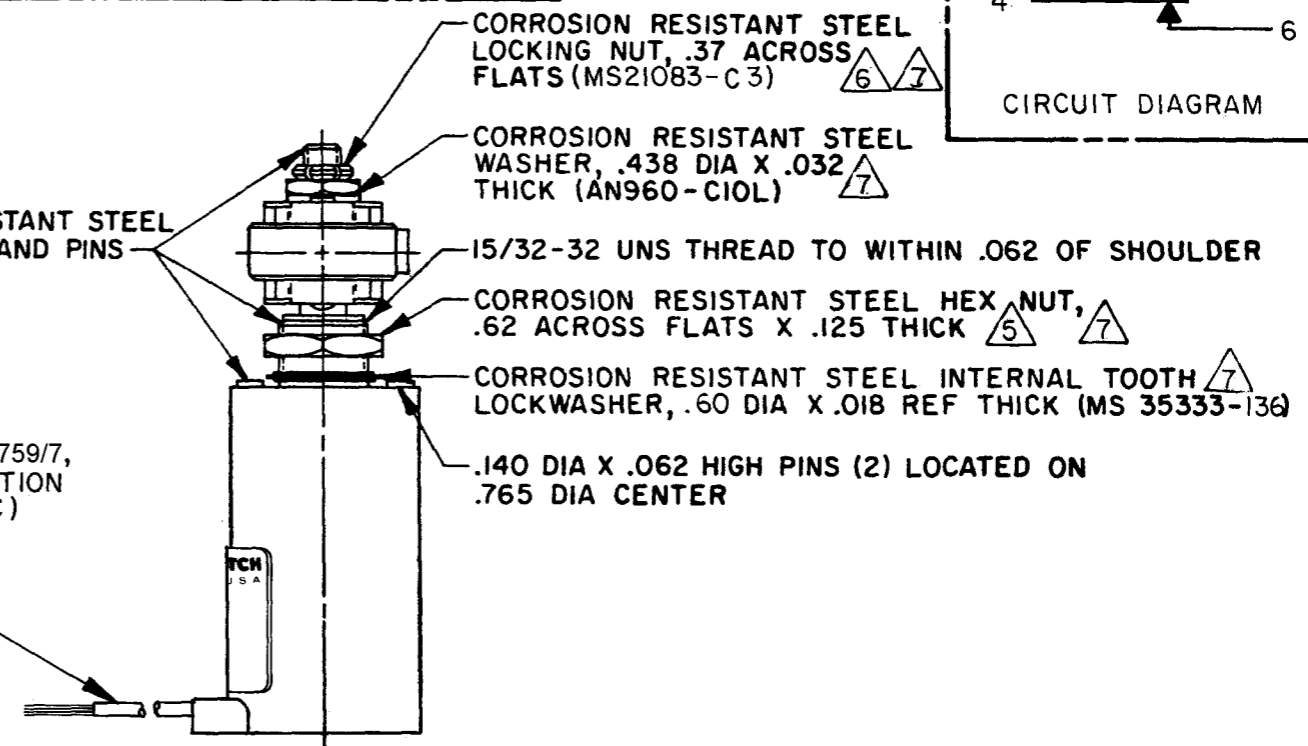
CHARACTERISTICS



CIRCUIT DIAGRAM



(6) NO. 20 WIRE LEAD PER MIL-W-22759/7, MARKED WITH CIRCUIT IDENTIFICATION AND WIRE GAGE (1-20, 2-20, ETC) PER MIL-W-5088



NOTES:

- 1 - CORROSION RESISTANT STEEL ENCLOSURE
- 2 - SWITCH SEALED PER MIL-PRF-8805 SYMBOL 4
- 3 - CIRCUIT DIAGRAM, CAT. LIST. ARE SHOWN ON NAMEPLATE
- 4 - TOTAL TRAVEL OF ROLLER LEVER IS 45° ± 3° IN CLOCKWISE DIRECTION ONLY WITH SPRING RETURN TO NEUTRAL
- 5 - REPLACEMENT MOUNTING HARDWARE - PACKET 19PA10
- 6 - DO NOT APPLY MORE THAN 20-25 INCH POUNDS OF TORQUE WHEN TIGHTENING LOCKING NUT
- 7 - HARDWARE MAY BE PACKAGED UNASSEMBLED PER MIL-PRF-8805

THIS DRAWING COVERS A PROPRIETARY ITEM AND IS THE PROPERTY OF MICRO SWITCH, A DIVISION OF HONEYWELL. THIS DRAWING IS NOT TO BE COPIED OR USED WITHOUT THE APPROVAL OF MICRO SWITCH.

CHARACTERISTICS	
OPERATING TORQUE	12-25 IN LB MAX
RELEASE TORQUE	9 IN LB MIN
PRETRAVEL	SEE DETAIL
DIFFERENTIAL TRAVEL	
OVERTRAVEL	
FREE POSITION	

ELECTRICAL DATA		
CONTACT ARRANGEMENT S P D T (2)		
28 VDC		
LOAD	SEA LEVEL	50,000 FT.
RES	5	5
IND	3	2
MOTOR	4	
LAMP		

SCALE FULL			
DO NOT SCALE PRINT			
TOLERANCES APPLY TO DESIGN UNITS. CONVERSIONS ARE ONLY FOR REFERENCE. UNLESS NOTED, TOLERANCES ARE ±			
DIM.	TOL.	DIM.	TOL.
NO PLACES	X	1/16	X
ONE PLACE	X.X	0.01/0.018	X.X
TWO PLACES	X.XX	0.001/0.002	X.XX
THREE PLACES	X.XXX	0.0001/0.0002	X.XXX
ANGLES			
DESIGN UNITS		US CUSTOMARY	
<input type="checkbox"/> SI METRIC		<input checked="" type="checkbox"/>	
THIRD ANGLE PROJECTION			
WEIGHT 10.6 OZ MAX			