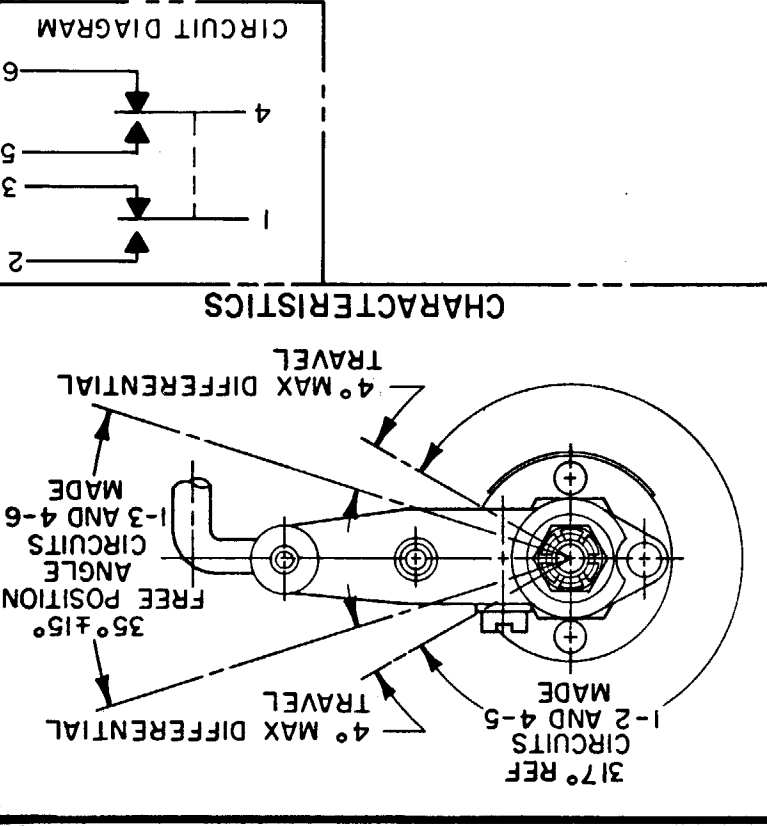
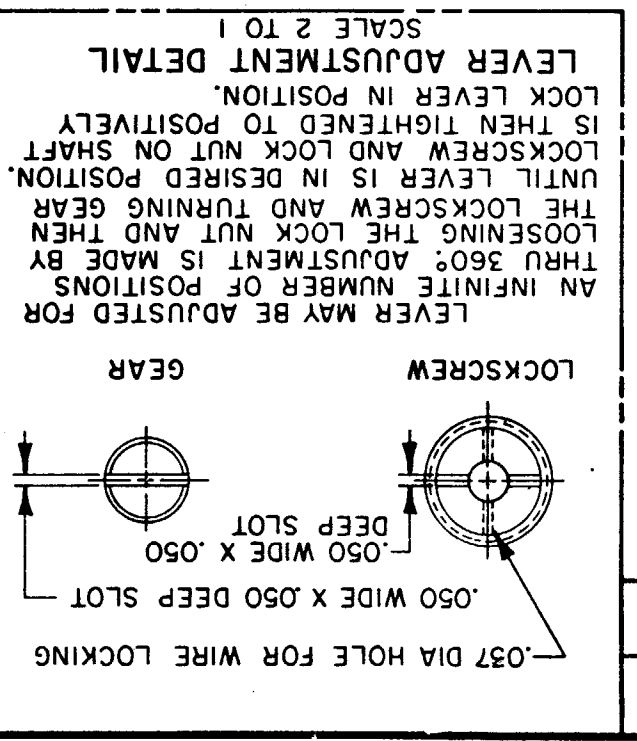
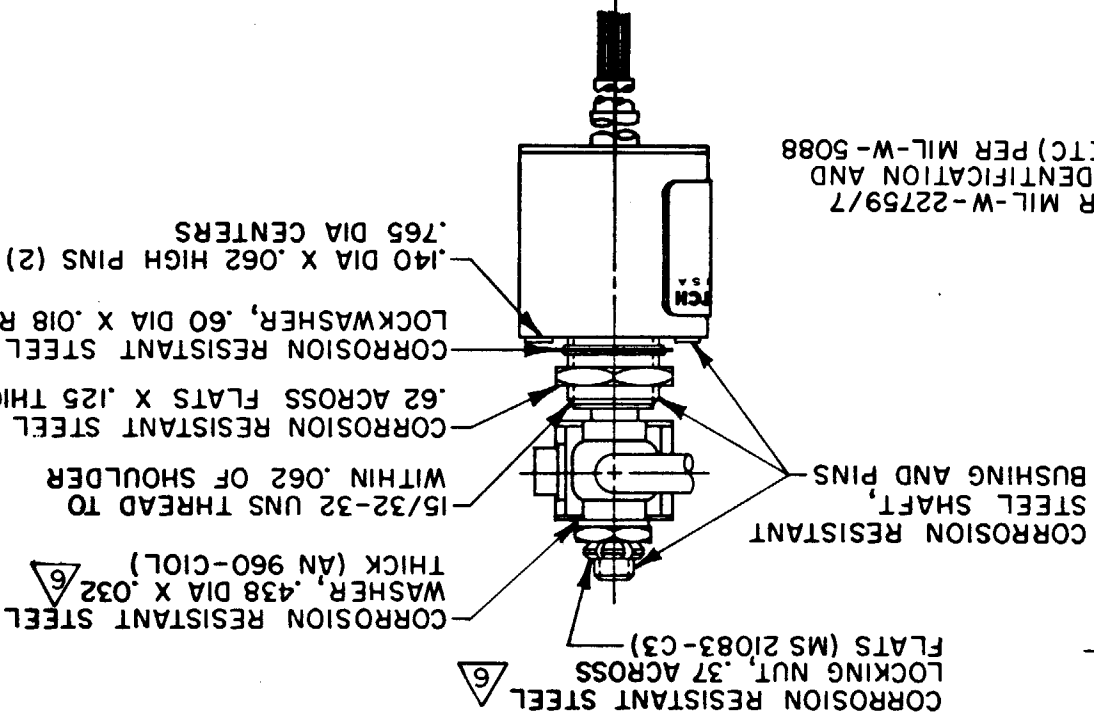
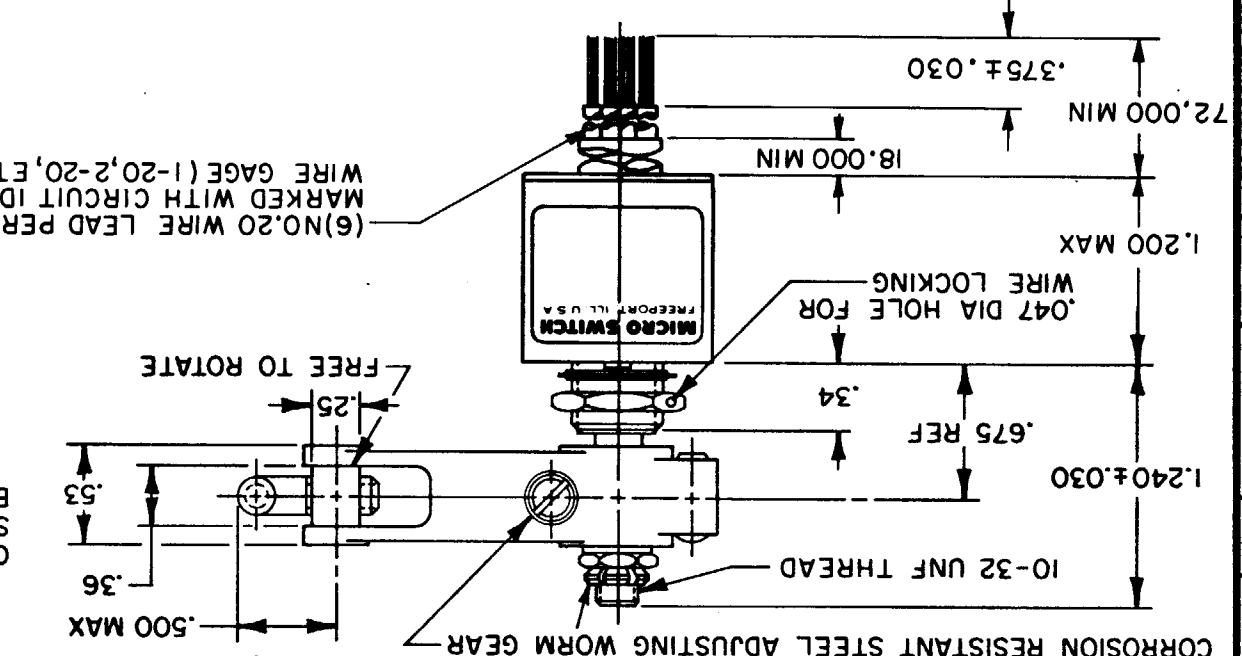
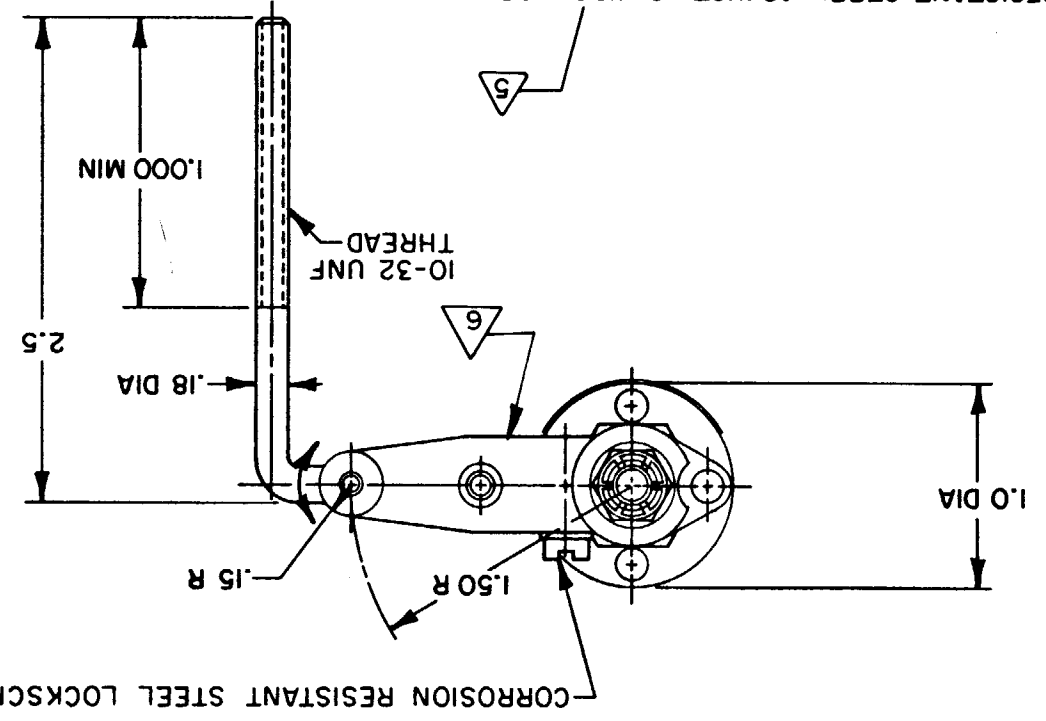


FO-25281-1-A
 DRAWN
 S L B 29 NOV 79
 CHECK
 22/1
 6 DEC 79
 CHECK
 11 MAY 94
 D
 7527-C
 25 SEP 81
 C
 48806
 11 AUG 80
 TSM
 B0047573
 29 NOV 79
 S L B
 A
 44351
 REVISIONS
 CHECK
 ISSUE
 15/6
 DRAWING
 NUMBER
 M
 41EN35-6B
 RELEASE NO. PR-5962
 REPLACES

MICRO SWITCH
 FREEPORT ILLINOIS U.S.A.
 A DIVISION OF HONEYWELL
 FED. REG. CODE 91228

SWITCH - ENCLOSED

CATALOG LISTING
41EN35-6B



THIS DRAWING COVERS A PROPRIETARY ITEM AND IS THE PROPERTY OF MICRO SWITCH, A DIVISION OF HONEYWELL. THIS DRAWING IS NOT TO BE COPIED OR USED WITHOUT THE APPROVAL OF MICRO SWITCH.

THIRD ANGLE PROJECTION

SCALE FULL

DO NOT SCALE PRINT

TOLERANCES
 APPLY TO DESIGN UNITS. CONVERSIONS ARE ONLY FOR REFERENCE. UNLESS NOTED, TOLERANCES ARE 1

DESIGN UNITS
 SI METRIC
 US CUSTOMARY

RAW MATERIAL-COMMERCIAL STANDARD
 MICRO SWITCH STANDARDS APPLY
 DIMENSIONS ARE TO BE MET BEFORE PROTECTIVE COATINGS ARE APPLIED

WEIGHT 8.0 OZ MAX 2.4

LAMP	2, 4
MOTOR	4
IND	3
RES	4
LOAD	4
SEA LEVEL	50,000 FT.
28 VDC	

S P D T (2)

CONTACT ARRANGEMENT

ELECTRICAL DATA

OPERATING TORQUE --- 3 IN LB MAX

CHARACTERISTICS

PRETRAVEL
 DIFFERENTIAL TRAVEL
 OVERTRAVEL
 FREE POSITION

SEE DETAIL

- NOTES
- 1 - CORROSION RESISTANT STEEL ENCLOSURE
 - 2 - SWITCH SEALED PER MIL-S-8805 SYMBOL 4
 - 3 - CIRCUIT DIAGRAM AND CAT. LIST. ARE SHOWN ON NAMEPLATE
 - 4 UNIT PROVIDES NO SHAFT RESTORING TORQUE. THE ACTUATING DEVICE MUST CONTROL MOVEMENT OF THE SHAFT
 - 5 DO NOT APPLY MORE THAN 20-25 INCH-POUNDS OF TORQUE WHEN TIGHTENING LOCKING NUT
 - 6 HARDWARE MAY BE PACKAGED UNASSEMBLED PER MIL-S-8805