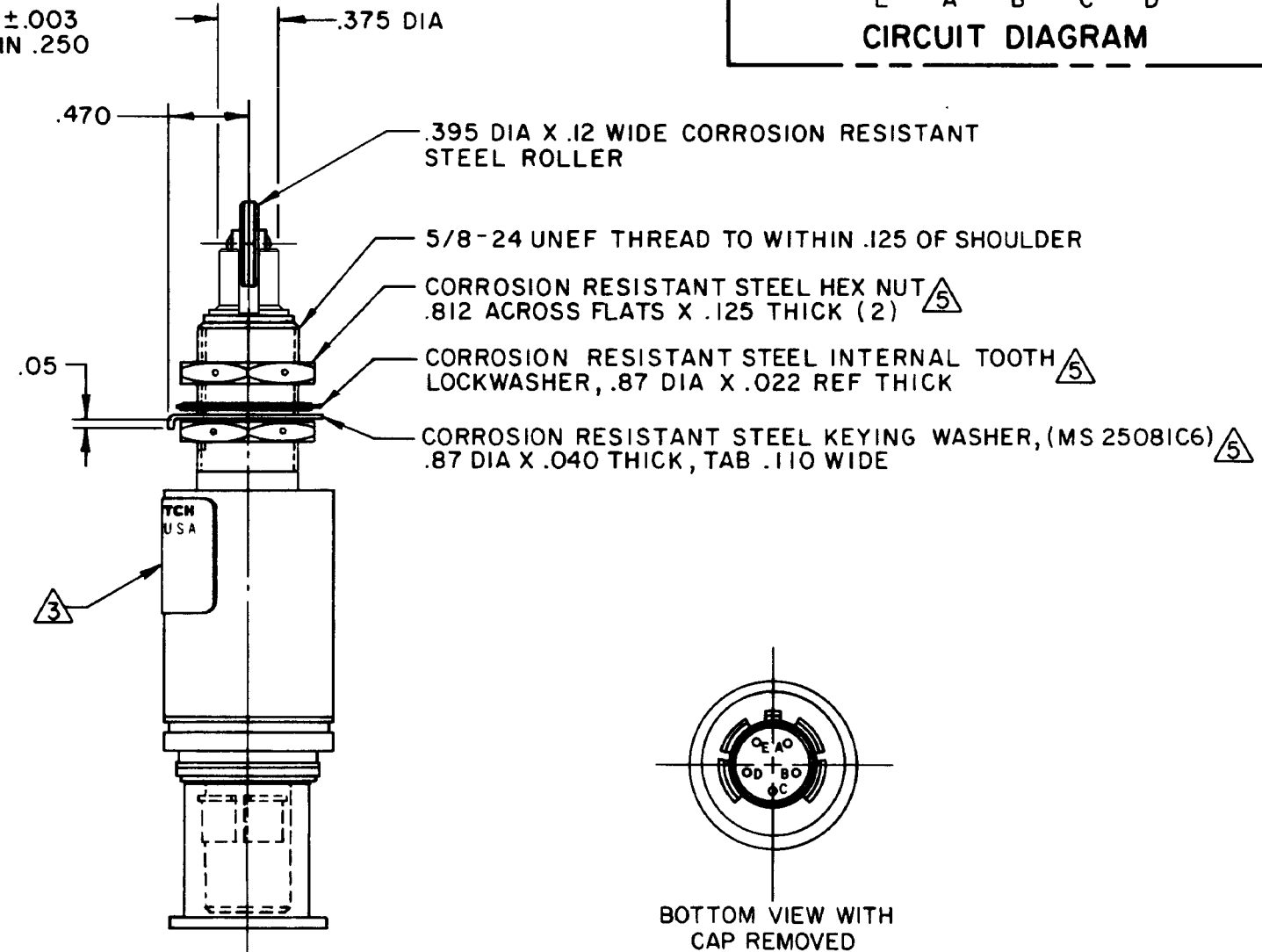
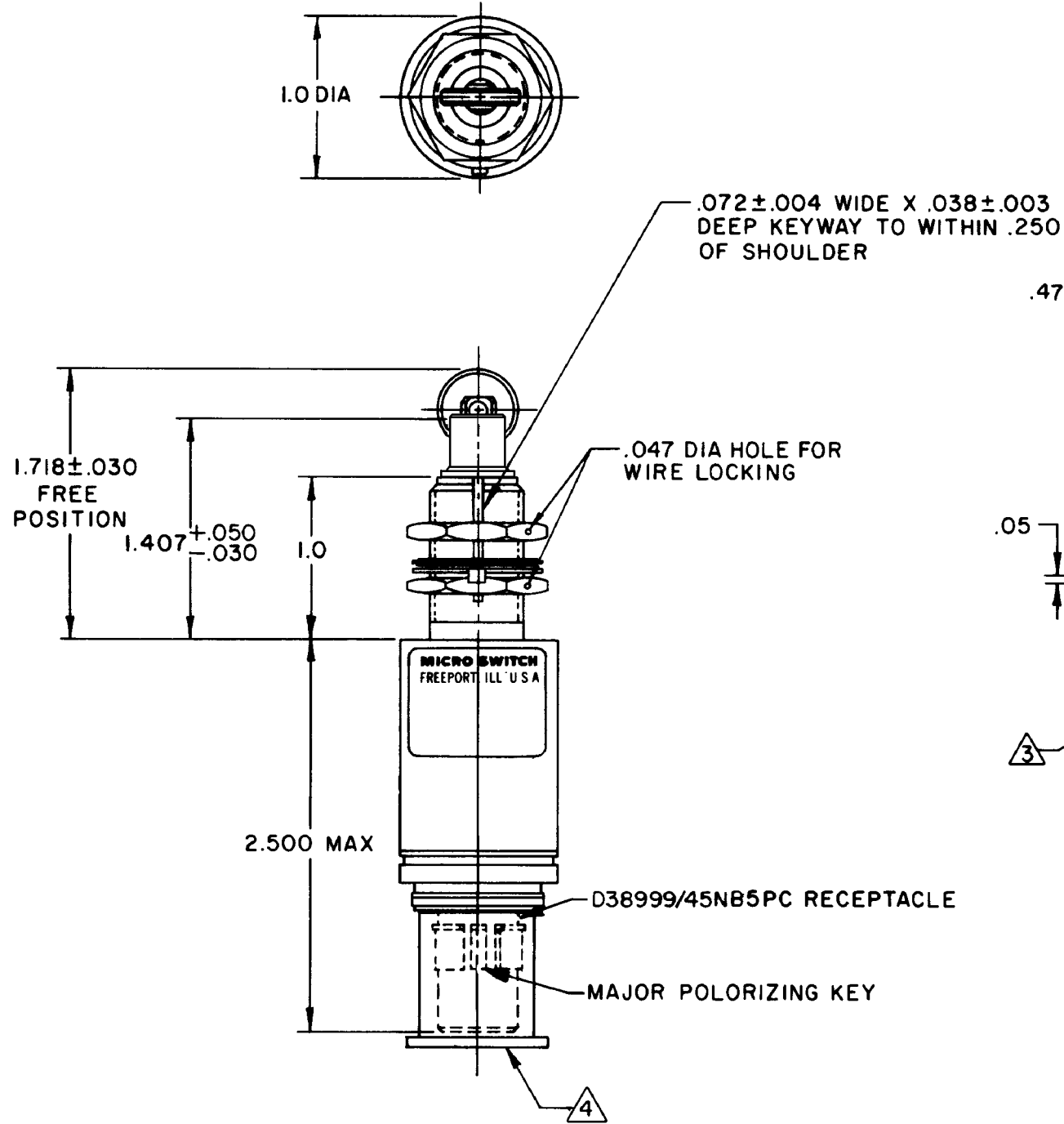
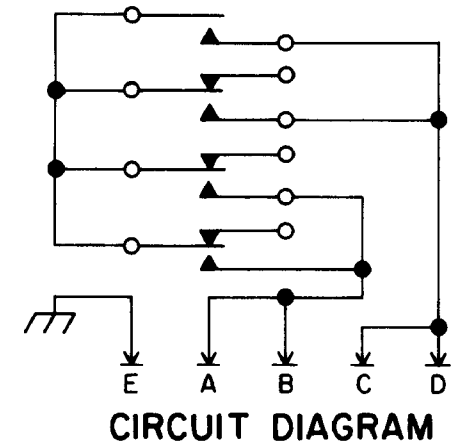


**MICRO SWITCH**  
 FREEPORT ILLINOIS U.S.A.  
 A DIVISION OF HONEYWELL  
 FED MFG CODE 91929

SWITCH - ENCLOSED

CATALOG LISTING  
**424EN31-RB3**



FORMTEK FO-32851-B  
 DRAWN GRT  
 6 AUG 82  
 CHECK CEB  
 2 SEPT 82  
 DAW  
 13 JAN 94  
 G  
 CO-77504-C  
 DLT  
 27 JUL 94  
 H  
 CO81941  
 TSM  
 14 NOV 95  
 J  
 CO94855  
 TSM  
 29 MAR 99  
 GRT  
 6 AUG 82  
 CHECK CEB  
 2 SEPT 82  
 DAW  
 13 JAN 94  
 G  
 CO-77504-C  
 DLT  
 27 JUL 94  
 H  
 CO81941  
 TSM  
 14 NOV 95  
 J  
 CO94855  
 TSM  
 29 MAR 99

M 424EN31-RB3  
 PAGE 1 OF 1  
 DRAWING NUMBER  
 ISSUE 10  
 RELEASE NO. PR-11238-T  
 REPLACES

REVISIONS

A	CO	53362	24 JUN 85
B	CO	053655	6 DEC 83
C	CO	54289	6 DEC 83
D	CO	59234	27 MAR 85
E	CO	74101	9 FEB 93
F	CO	77148	13 JAN 94
G	CO	77504-C	27 JUL 94
H	CO	81941	14 NOV 95
J	CO	94855	29 MAR 99

THIS DRAWING COVERS A PROPRIETARY ITEM AND IS THE PROPERTY OF MICRO SWITCH A DIVISION OF HONEYWELL THIS DRAWING IS NOT TO BE COPIED OR USED WITHOUT THE APPROVAL OF MICRO SWITCH

CHARACTERISTICS		ELECTRICAL DATA	
OPERATING FORCE	6-12 LB	CONTACT ARRANGEMENT S P D T (2)	
FULL OVERTRAVEL FORCE	30 LB MAX	28 VDC	
RELEASE FORCE	4 LB MIN	LOAD	SEA LEVEL 50,000 FT.
PRETRAVEL	.040 MAX	RES	1 1
DIFFERENTIAL TRAVEL	.020 MAX	IND	.5 .5
OVERTRAVEL	.250 MIN		

SCALE FULL

DO NOT SCALE PRINT

TOLERANCES

DIM	TOL	DIM	TOL
mm	mm/in	in	mm/in
NO PLACES	±	1/04	
ONE PLACE	X, X	0.47/016	X X 0.01/03
TWO PLACES	X, XX	0.167/006	X XX 0.26/015
THREE PLACES	X, XXX		X XXX 0.13/006

DESIGN UNITS  METRIC  US CUSTOMARY

THIRD ANGLE PROJECTION

WEIGHT 7.0 OZ MAX

- NOTES**
- 1 - CORROSION RESISTANT STEEL ENCLOSURE
  - 2 - SWITCH SEALED PER MIL-PRF-8805, SYMBOL 4
  - 3 - CAT. LISTING, DATE CODE, FED. MFG. CODE AND CIRCUIT DIAGRAM ARE SHOWN ON NAMEPLATE
  - 4 - FURNISH WITH SNUG FITTING PLASTIC DUST CAP
  - 5 - HARDWARE MAY BE PACKAGED UNASSEMBLED PER MIL-PRF-8805
  - 6 - BLUE PAINT ON POLARIZING KEY IS UNDAMAGED